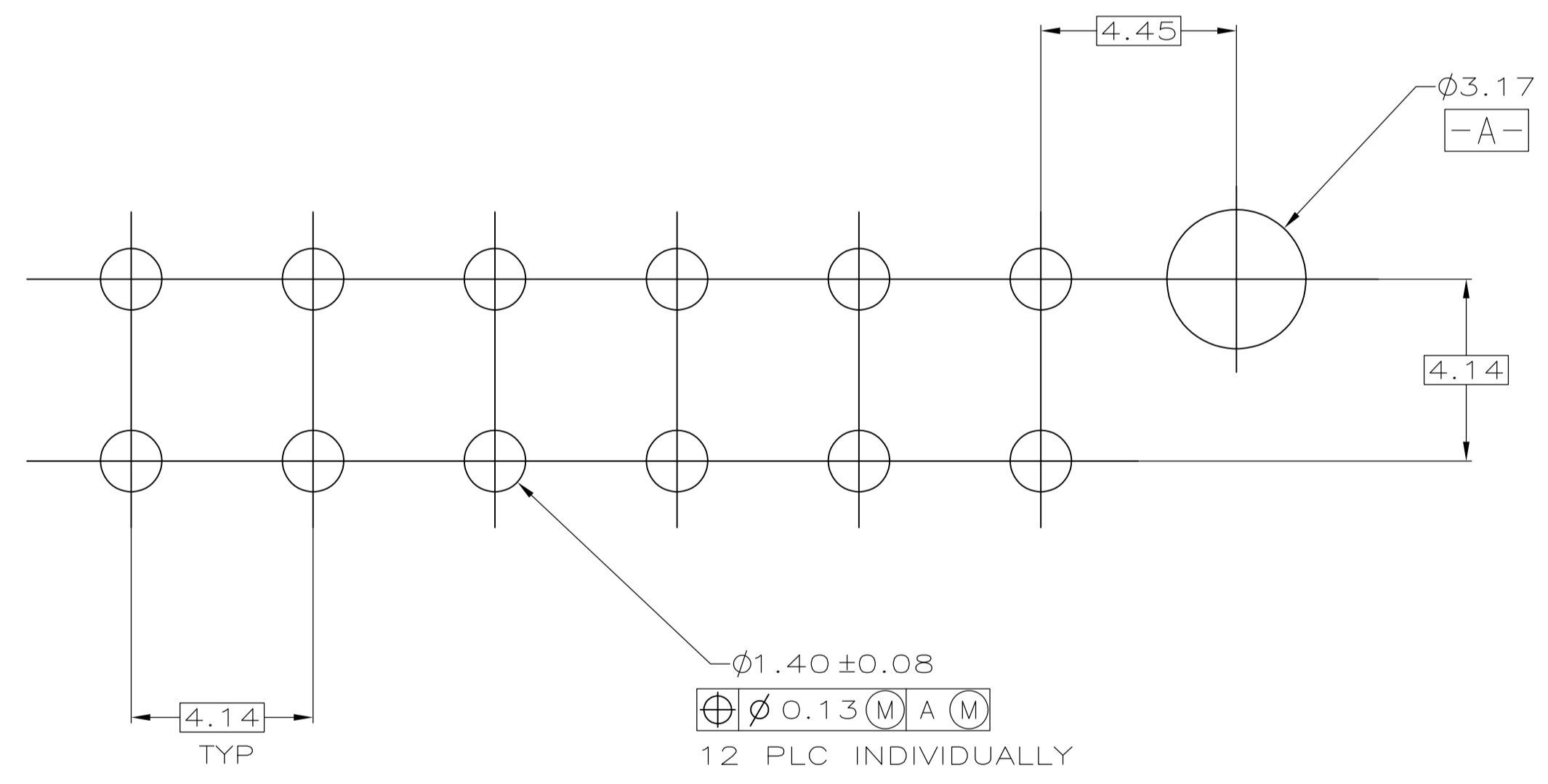
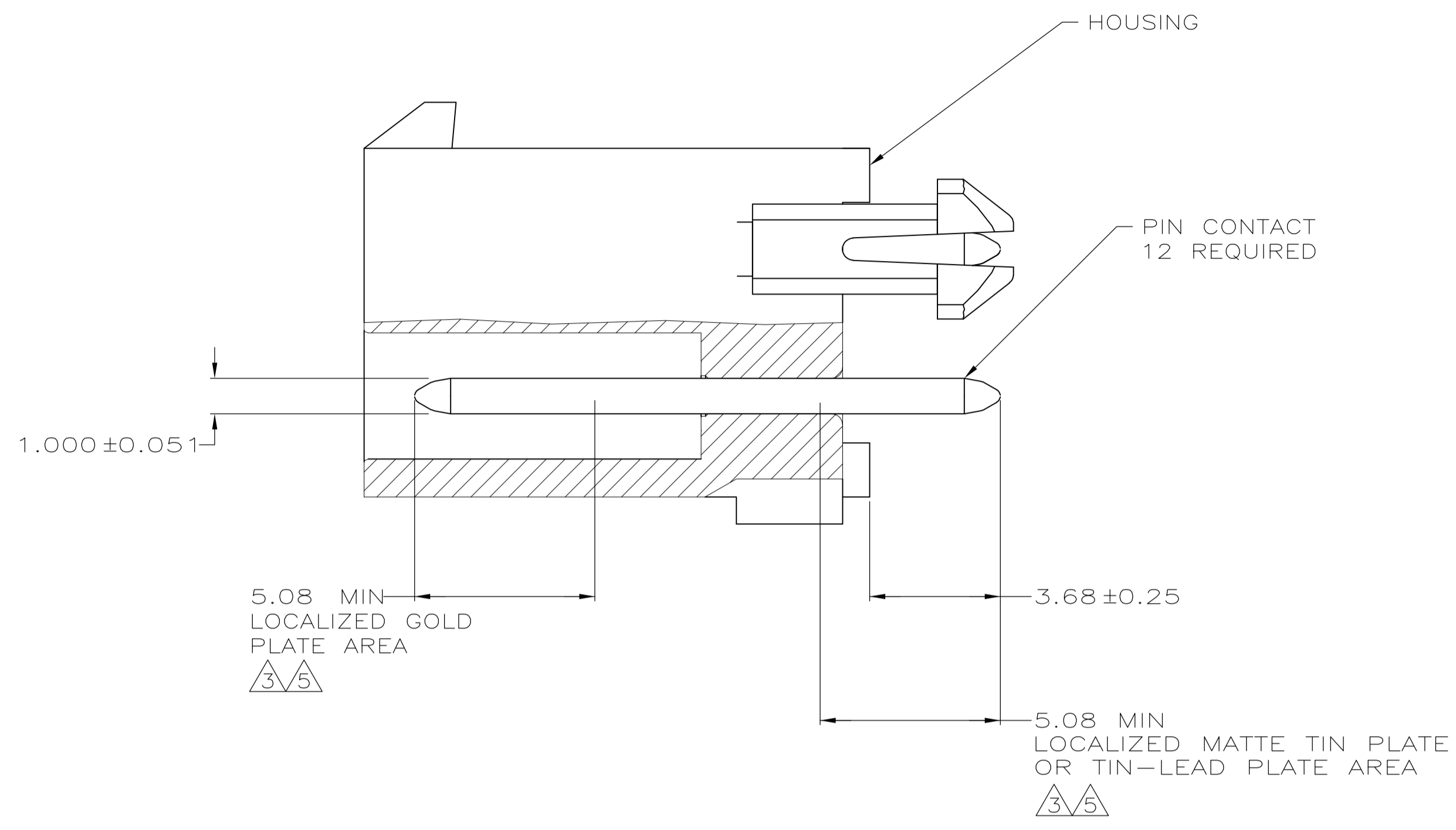
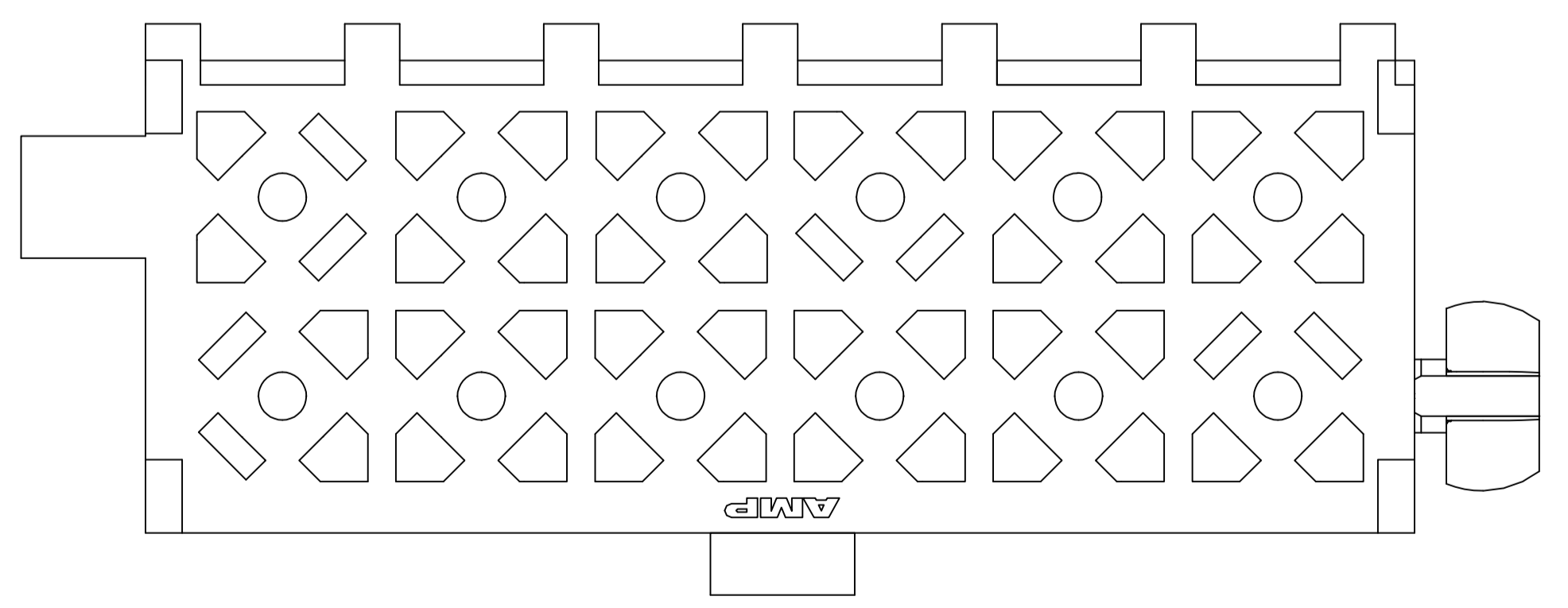
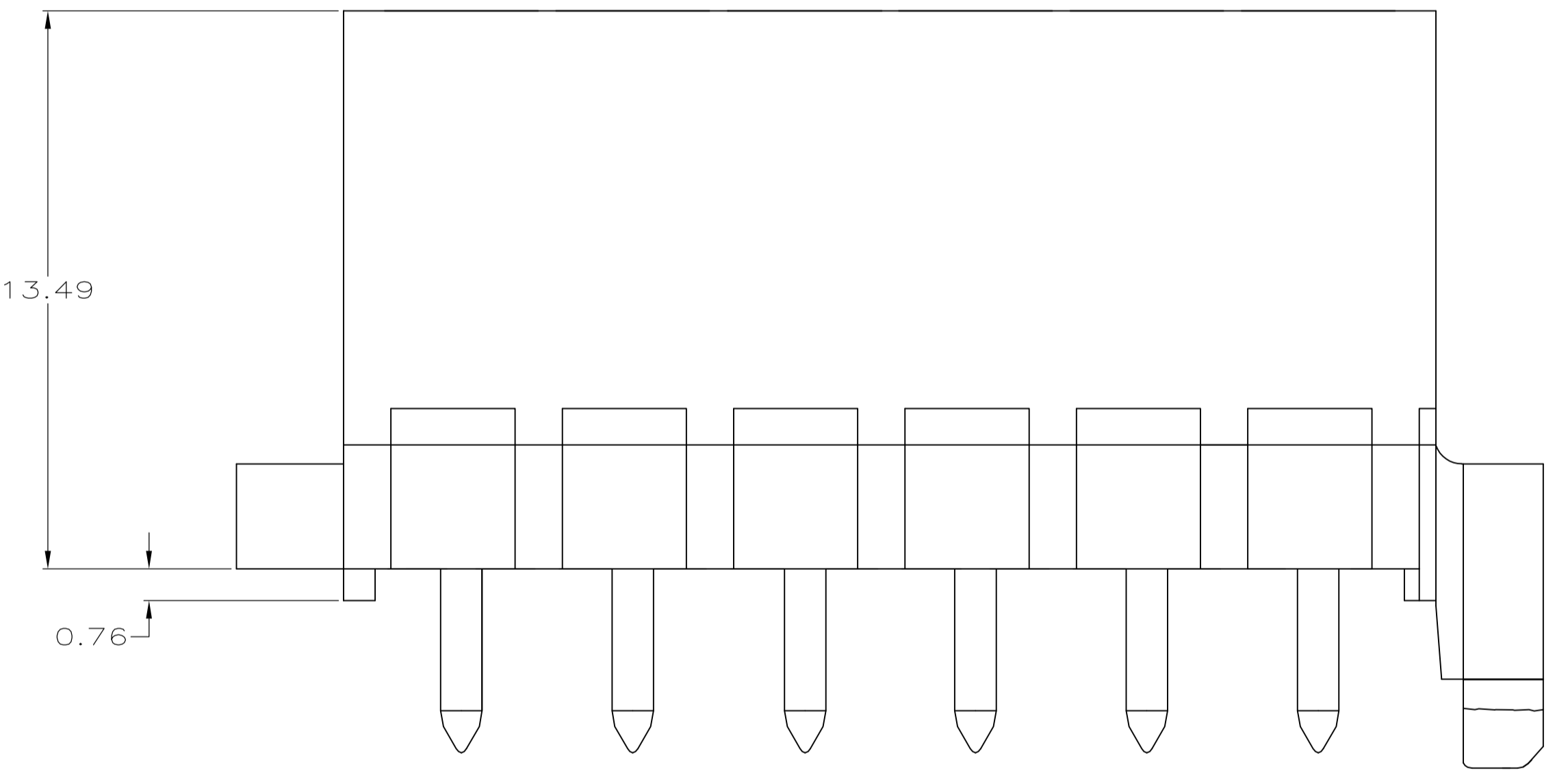
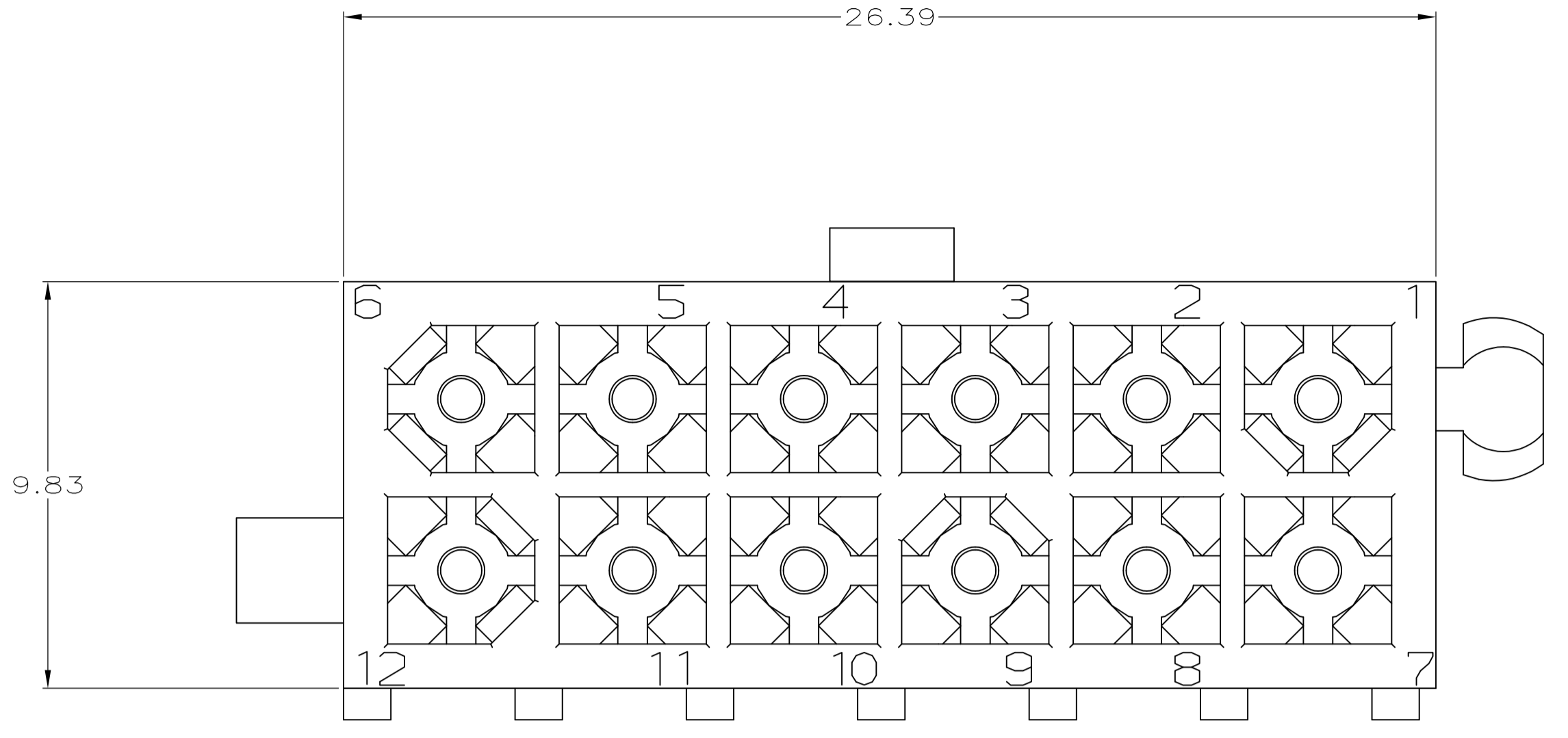


LOC		DIST		REVISIONS			
P	LTR	DESCRIPTION	DATE	DWN	APVD		
C1		REVISED PER ECO-11-004917	11MAR11	RK	HMR		



RECOMMENDED MOUNTING HOLE PATTERN FOR 1.57 THICK P.C. BOARD

- PINS TO COMPLY WITH AMP SOLDERABILITY SPEC. 109-11-3.
- 0.00381 MIN MATTE TIN LEAD PLATE OVER 0.00127 MIN NICKEL.
- 0.00076 MIN GOLD PLATE IN THE LOCALIZED PLATE AREA, 0.00381 MATTE TIN LEAD IN THE LOCALIZED PLATE AREA, BOTH OVER 0.00127 MIN NICKEL.
- 0.00381 MIN MATTE TIN PLATE OVER 0.00127 MIN NICKEL.
- 0.00076 MIN GOLD PLATE IN THE LOCALIZED PLATE AREA, 0.00381 MATTE TIN IN THE LOCALIZED PLATE AREA, BOTH OVER 0.00127 MIN NICKEL.

MATERIAL	FINISH	HOUSING MATERIAL AND COLOR	PART NUMBER
BRASS, GOLD	△	NYLON, 94V-0, WHITE	1-794066-1
BRASS, TIN	△	NYLON, 94V-0, WHITE	1-794066-0
BRASS, GOLD	△	NYLON, 94V-0, WHITE	794066-2
BRASS, TIN LEAD	△	NYLON, 94V-0, WHITE	794066-1

THIS DRAWING IS A CONTROLLED DOCUMENT.

DIMENSIONS: mm	TOLERANCES UNLESS OTHERWISE SPECIFIED:	DIN K. WHITAKER 6-12-95	CHK R. SWING 6-12-95	APVD R. ORSTAD 6-13-95	NAME
0. PLC ± -	1. PLC ± -	TE Connectivity			HEADER ASSEMBLY, 12 CIRCUIT, DOUBLE ROW VERTICAL, MINI-UNIVERSAL MATE-N-LOK
2. PLC ± 0.13	3. PLC ± -				
4. PLC ± -	ANGLES ± -				
FINISH SEE TABLE	SEE TABLE				
MATERIAL SEE TABLE	FINISH SEE TABLE	WEIGHT	SIZE A1	CAGE CODE 00779	DRAWING NO. 794066
CUSTOMER DRAWING		SCALE 8:1	SHEET 1 OF 1	REV C1	RESTRICTED TO