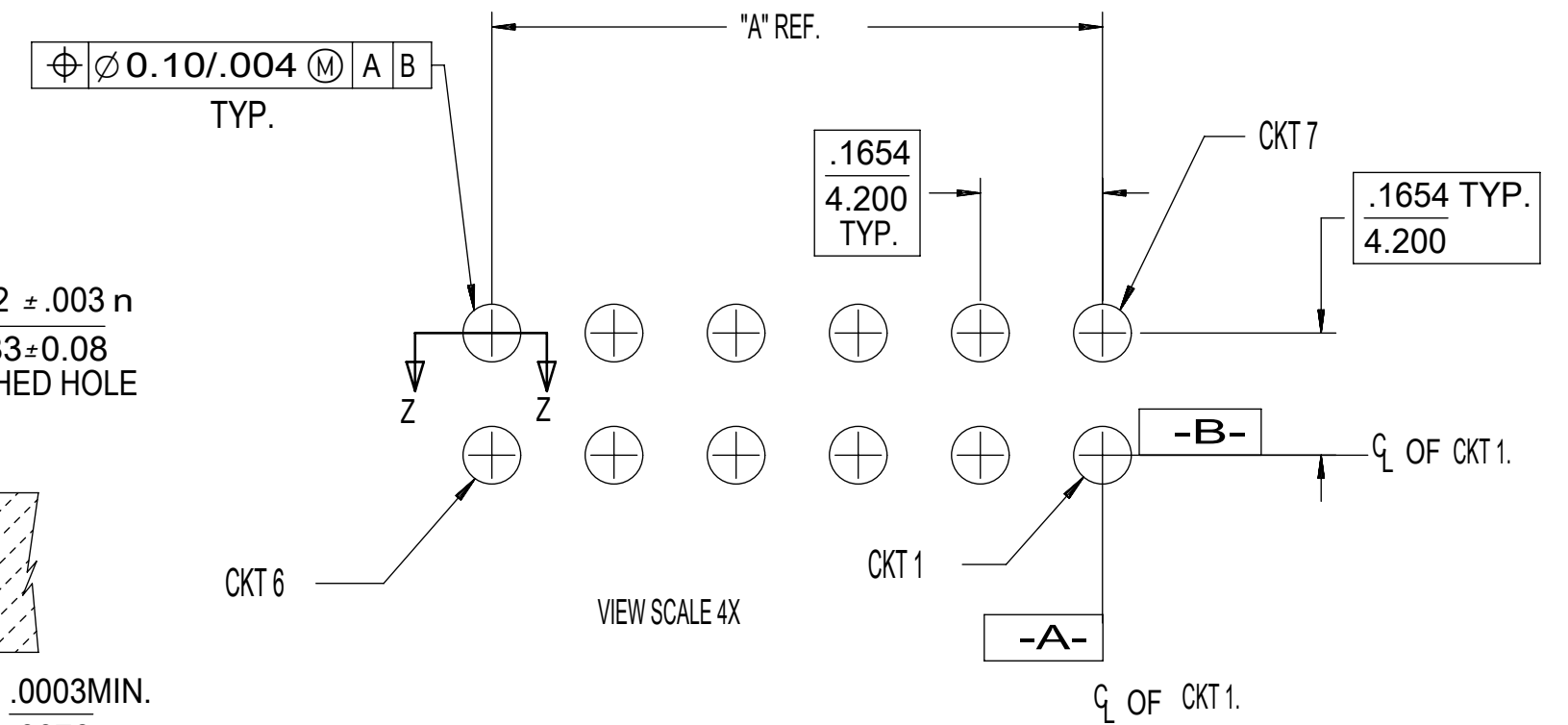
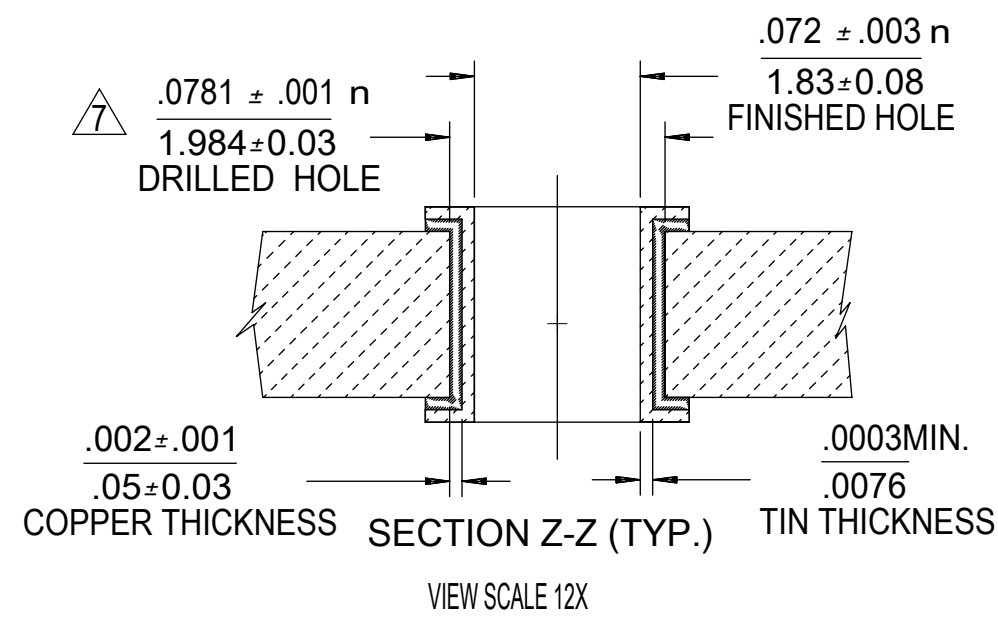
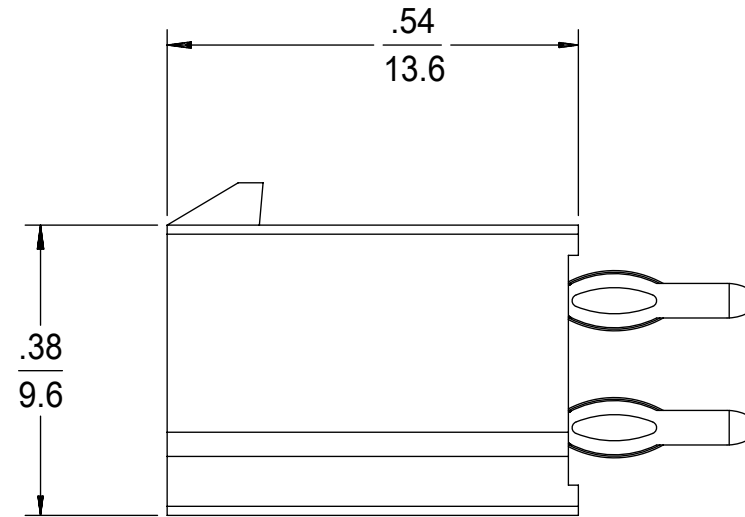
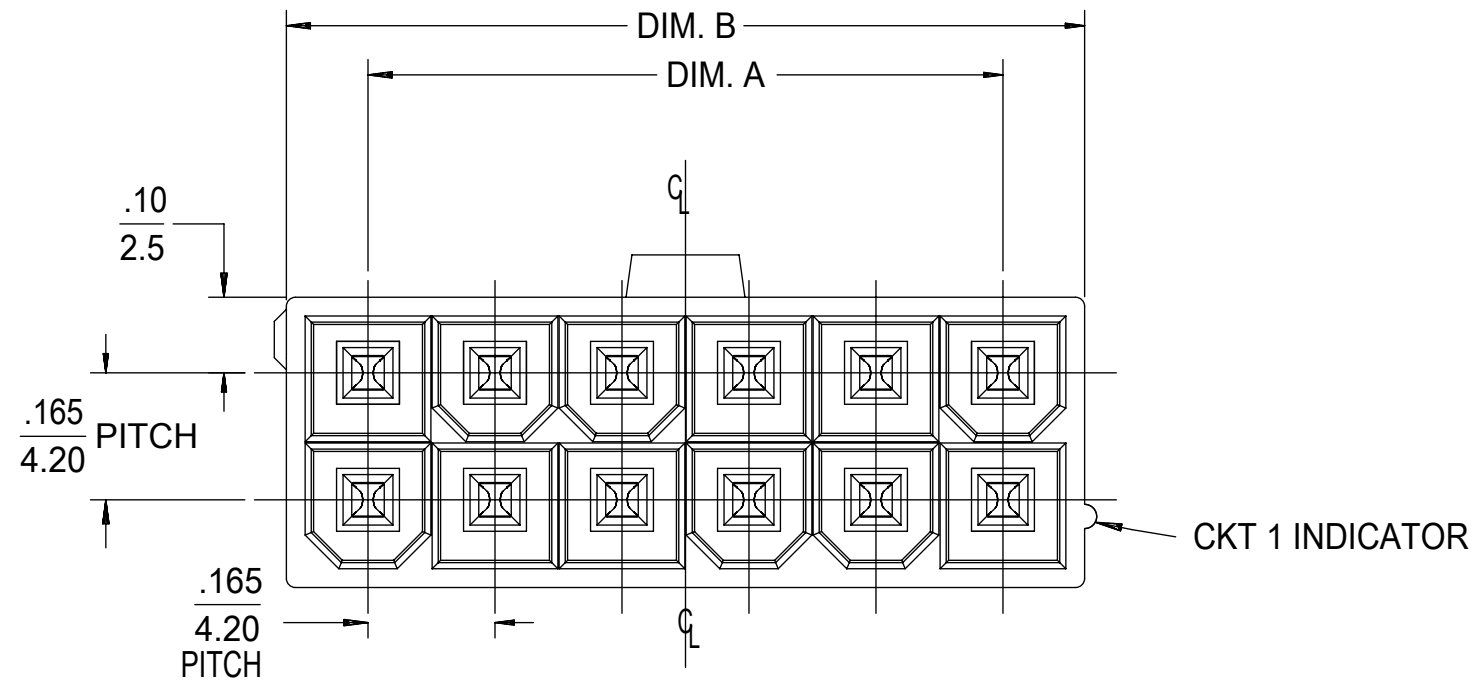


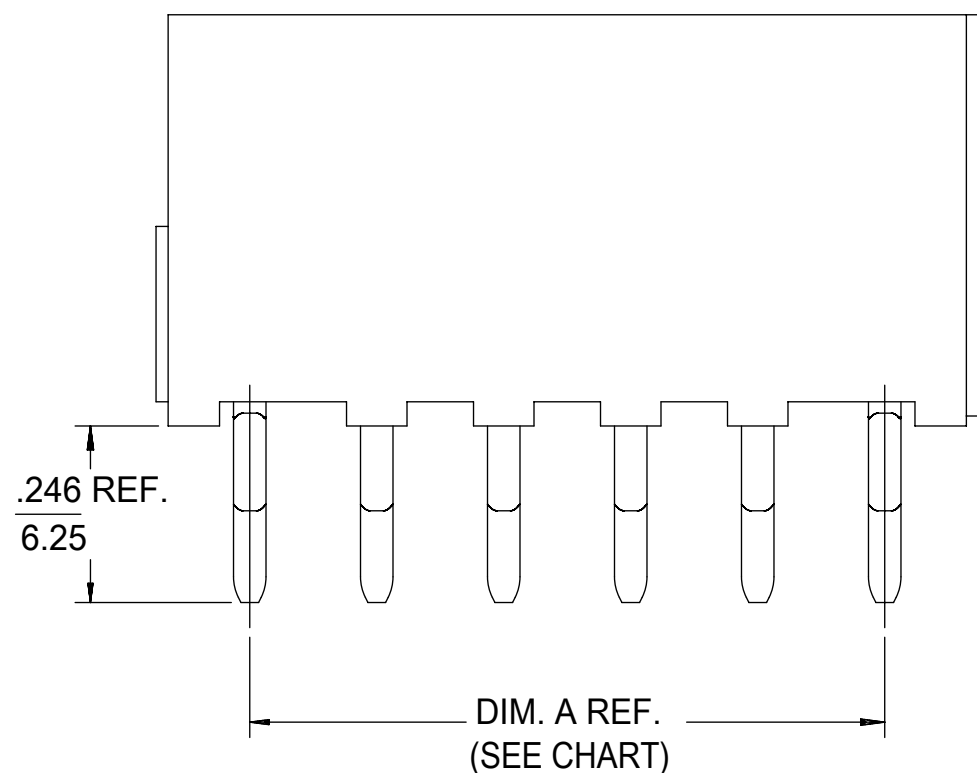
ISOMETRIC VIEW  
(12 CKT - SHOWN)

CIRCUIT SIZE	DIM. A	DIM. B
04	0.165/4.20	0.38/9.6
06	0.331/8.40	0.54/13.8
08	0.496/12.60	0.71/18.0
10	0.661/16.80	0.87/22.2
12	0.827/21.00	1.04/26.4
14	0.992/25.20	1.21/30.6
16	1.160/29.40	1.37/34.8
18	1.323/33.60	1.54/39.0
20	1.488/37.80	1.70/43.2
22	1.654/42.00	1.87/47.4
24	1.819/46.20	2.03/51.6

- NOTES:
- MATERIALS:  
HOUSING - LIQUID CRYSTAL POLYMER (LCP), COLOR: SEE CHART  
TERMINAL: PHOSPHOR BRONZE
  - TERMINAL PLATING:  
TIN=.000100/0.00254 MIN. BRIGHT TIN OVER .000050/0.00127 MIN. NICKEL OVERALL
  - PRODUCT SPECIFICATION: PS-43879-001
  - PACKAGING SPECIFICATION: PK-5569-003
  - THIS PART MATES WITH RECEPTACLE SERIES NUMBERS 5557.
  - THIS HEADER REQUIRES A MOLEX INSERTION TOOL (62200-9400) TO PROPERLY INSTALL IT TO THE PCB.
  - DRILLED HOLE DIAMETER IS EQUIVALENT TO 5/64" STANDARD DRILL BIT.
  - CONNECTOR ASSEMBLIES ARE NOT DESIGNED TO BE MATED AND UNMATED WHILE CIRCUITS ARE LIVE.
  - PART IS NOT DESIGNED FOR CURRENT SHARING.
  - PART CONFORMS TO CLASS "B" REQUIREMENTS OF COSMETIC SPECIFICATION PS-45499-002.



PCB LAYOUT: COMPONENT SIDE .088  
RECOMMENDED PCB THICKNESS: 2.24



QUALITY SYMBOLS		THIS DRAWING CONTAINS INFORMATION THAT IS PROPRIETARY TO MOLEX ELECTRONIC TECHNOLOGIES, LLC AND SHOULD NOT BE USED WITHOUT WRITTEN PERMISSION			
▽ = 0	▽ = 0	GENERAL TOLERANCES (UNLESS SPECIFIED)	DIMENSION UNITS		SCALE
▽ = 0	▽ = 0		IN/MM		4:1
▽ = 0	▽ = 0		MM	INCH	DRWN BY
▽ = 0	▽ = 0	4 PLACES ±	±		DATE
▽ = 0	▽ = 0	3 PLACES ±	± 0.01		JJAGUILAR 2010/09/17
▽ = 0	▽ = 0	2 PLACES ±	0.25 ±	0.015 ±	CHK'D BY
▽ = 0	▽ = 0	1 PLACES ±	0.38 ±		DATE
▽ = 0	▽ = 0	0 PLACES ±	±		JBELL 2010/09/17
▽ = 0	▽ = 0	ANGULAR TOL ±			APPR BY
▽ = 0	▽ = 0	DRAFT WHERE APPLICABLE MUST REMAIN WITHIN DIMENSIONS			DATE
▽ = 0	▽ = 0				FSMITH 2010/10/04
▽ = 0	▽ = 0			DRAWING SIZE	THIRD ANGLE PROJECTION
▽ = 0	▽ = 0			C	

<b>molex</b> MINI-FIT JR. CPI VERT HEADER ASSY IN LCP, W/O PCB PEGS		
PRODUCT CUSTOMER DRAWING		
SERIES	MATERIAL NUMBER	CUSTOMER
46611	SEE CHART	GENERAL MARKET
DOCUMENT NUMBER	DOC TYPE	DOC PART SHEET NUMBER
SD-46611-0000	PSD	000 1 OF 2

CIRCUIT SIZE	TIN PLATED	
	COLOR= BLACK	
04	46611-1004	
06	46611-1006	
08	46611-1008	
10	46611-1010	
12	46611-1012	
* 14	46611-1014	
* 16	46611-1016	
* 18	46611-1018	
* 20	46611-1020	
* 22	46611-1022	
24	46611-1024	
CIRCUIT SIZE	TIN PLATED	
	COLOR= NATURAL	
* 04	46611-1104	
* 06	46611-1106	
* 08	46611-1108	
* 10	46611-1110	
* 12	46611-1112	
* 14	46611-1114	
* 16	46611-1116	
* 18	46611-1118	
* 20	46611-1120	
* 22	46611-1122	
* 24	46611-1124	

\* DESIGNATES PART NOT RELEASED.  
CONTACT FACTORY FOR AVAILABILITY.

THIS DRAWING CONTAINS INFORMATION THAT IS PROPRIETARY TO MOLEX ELECTRONIC TECHNOLOGIES, LLC AND SHOULD NOT BE USED WITHOUT WRITTEN PERMISSION											
<b>QUALITY SYMBOLS</b> 	CHG PCB TAIL LENGTH		2016/04/06		2016/05/10		2016/05/17		2016/05/17		
	EC NO: 104170		DRWN: CSLAFTER		CHKD: JBELL		APPR: FSMITH		2016/05/17		
	GENERAL TOLERANCES (UNLESS SPECIFIED)		MM		INCH		DIMENSION UNITS		SCALE		
	4 PLACES ±		±		±		IN/MM		4:1		
	3 PLACES ±		± 0.01		±		DRWN BY		DATE		
	2 PLACES ±		± 0.25		± 0.015		JJAGUILAR		2010/09/17		
	1 PLACES ±		± 0.38		±		CHK'D BY		DATE		
	0 PLACES ±		±		±		JBELL		2010/09/17		
	ANGULAR TOL ±		±		±		APPR BY		DATE		
	DRAFT WHERE APPLICABLE MUST REMAIN WITHIN DIMENSIONS		±		±		FSMITH		2010/10/04		
DRAWING SIZE		THIRD ANGLE PROJECTION		C		DRAWING SIZE		THIRD ANGLE PROJECTION			
C		C		C		C		C			
SERIES		MATERIAL NUMBER		CUSTOMER		SERIES		MATERIAL NUMBER		CUSTOMER	
46611		SEE CHART		GENERAL MARKET		46611		SEE CHART		GENERAL MARKET	
DOCUMENT NUMBER		DOC TYPE		DOC PART		DOCUMENT NUMBER		DOC TYPE		DOC PART	
SD-46611-0000		PSD		000		SD-46611-0000		PSD		000	
SHEET NUMBER		SHEET NUMBER		SHEET NUMBER		SHEET NUMBER		SHEET NUMBER		SHEET NUMBER	
2 OF 2		2 OF 2		2 OF 2		2 OF 2		2 OF 2		2 OF 2	