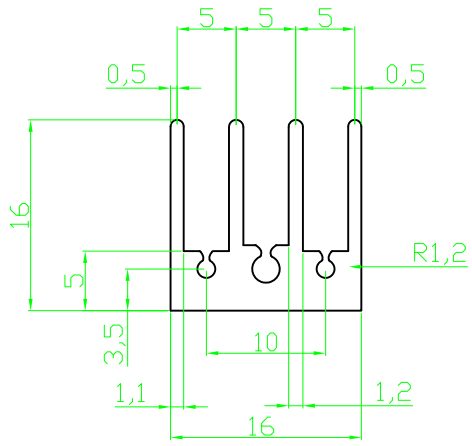
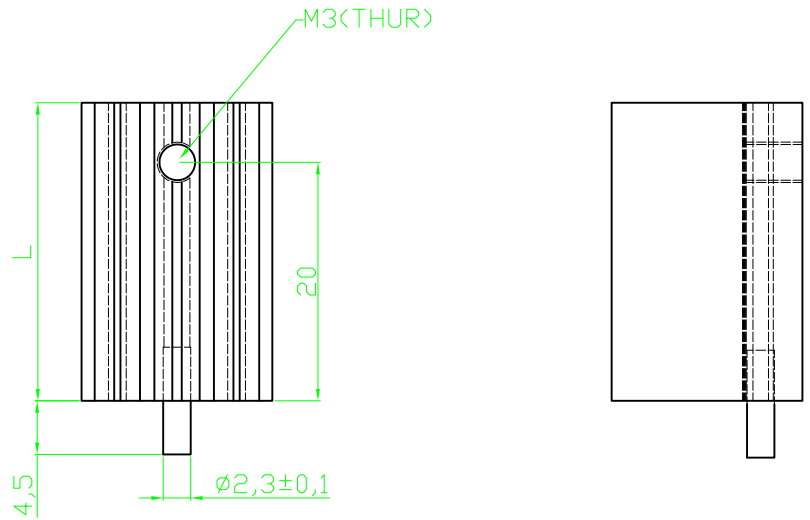


RoHS compliant



Option	L	Thermal resistance(K/W)
V7700W	25	9
V7700X	37.5	8.5

Scale	FREE					Date	Name	Customer-No.
TOLERANCE					Drawn	11.08.2009	Dean	
X.	$\pm X$				Approved	10.03.2010	Andy	ASSMANN WSW-No. V7700x
X.X	$\pm X$							
UNIT	$\pm X$							Drawing-No. ASS 0872 HS rev02
DIM	TOL	②	Modify drawing layout	10.03.2010	Alex			
X.°	$\pm X^\circ$	①	Drawn	11.08.2009	Dean			
X.X°	$\pm X^\circ$					Replace	Sheet	
Angle	TOL	Id.	Modification	Date	Name			

1

2

3

4

5

6

7