

THIS DRAWING IS UNPUBLISHED.

RELEASED FOR PUBLICATION

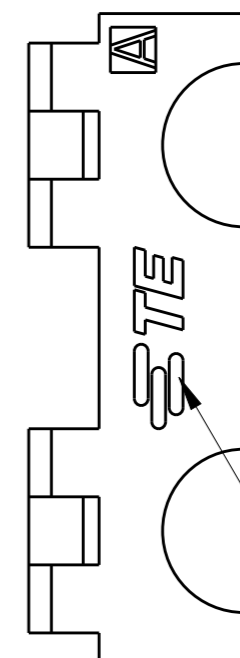
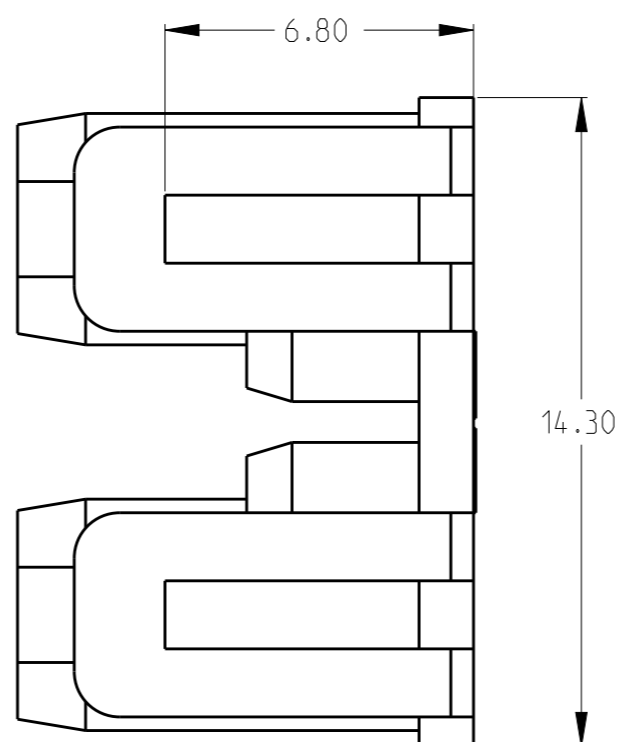
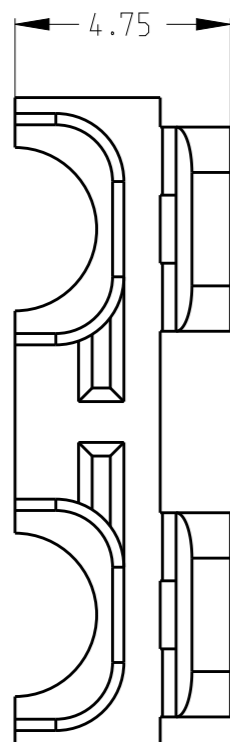
© COPYRIGHT 19 BY -

ALL RIGHTS RESERVED.

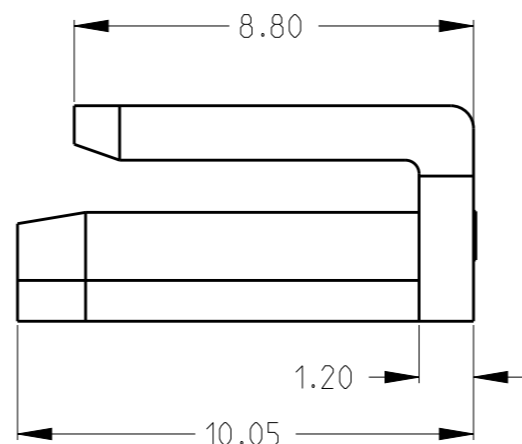
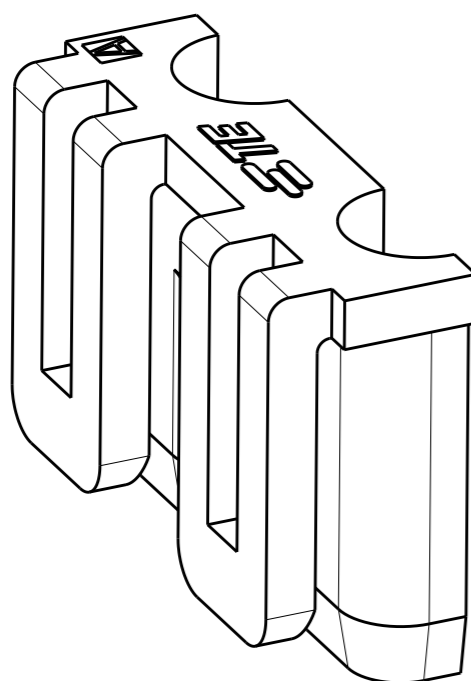
LOC ES DIST 00

REVISIONS

P	LTR	DESCRIPTION	DATE	DWN	APVD
	A	RELEASED	19AUG2011	L.L	E.K
	A1	ADD "GWT REQUIREMENTS" IN NOTE 3.	11OCT2012	D.Z	YH.M
	A2	REVISED PER ECR-17-000612	06FEB2017	N.L	D.Z



TRADE MARK



NOTE:  
 1.MATERIAL:THERMOPLASTIC, UL94 V-0, COLOR: NATURAL  
 2.MATING CONN. P/N:1983659-\*.  
 3.PRODUCT COMPLY WITH GLOW WIRE REQUIREMENTS FOR PARTS OF NON-METALLIC MATERIAL SUPPORTING A CURRENT-CARRYING CONNECTION DETAILED IN IEC 60335-1, SECTION 30 (GWT).

2500*4	3-1983666-1
1500*8	1983666-1
PACKAGE QUANTITY(PCS)	PART NO.

THIS DRAWING IS A CONTROLLED DOCUMENT.

DWN LEO LIU 19AUG2011  
 CHK HAPYE WU 19AUG2011  
 APVD FRIC KONG 19AUG2011

**STE** TE Connectivity

DIMENSIONS:	TOLERANCES UNLESS OTHERWISE SPECIFIED:
mm	
	0 PLC ±
	1 PLC ±0.5
	2 PLC ±0.30
	3 PLC ±0.200
	4 PLC ±0.2000
	ANGLES ±

PRODUCT SPEC 108-106071  
 APPLICATION SPEC -

NAME 2 POS DOUBLE LOCK PLATE MULTI 6P CONNECTOR

MATERIAL - FINISH -

WEIGHT -

SIZE A3	CAGE CODE -	DRAWING NO. ©=1983666	RESTRICTED TO -
---------	-------------	-----------------------	-----------------

CUSTOMER DRAWING SCALE N/A SHEET 1 OF 1 REV A2