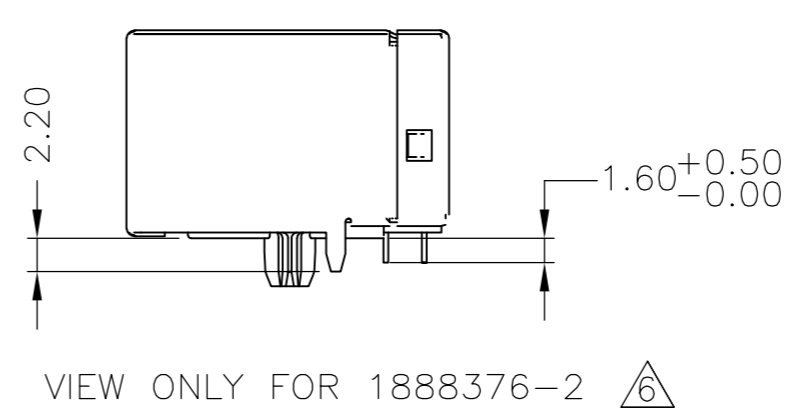
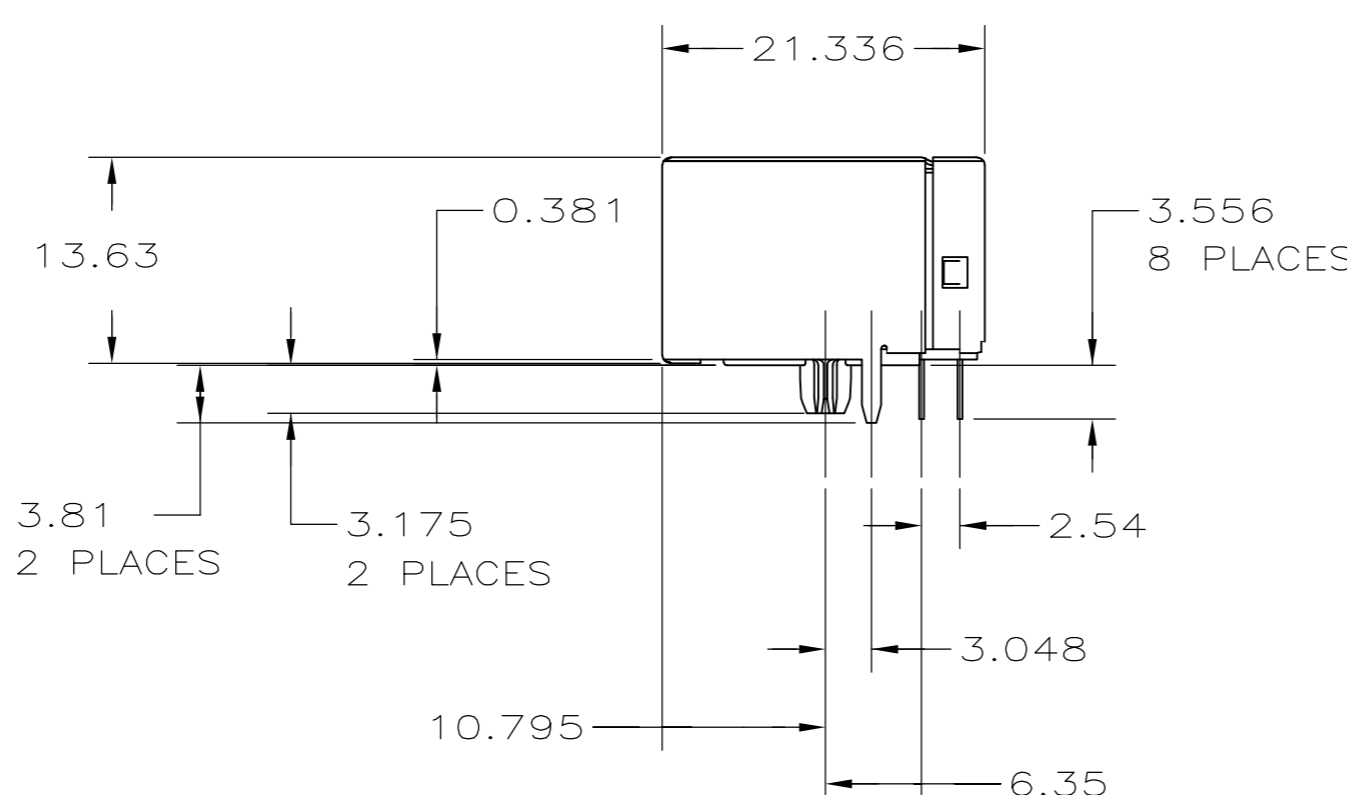
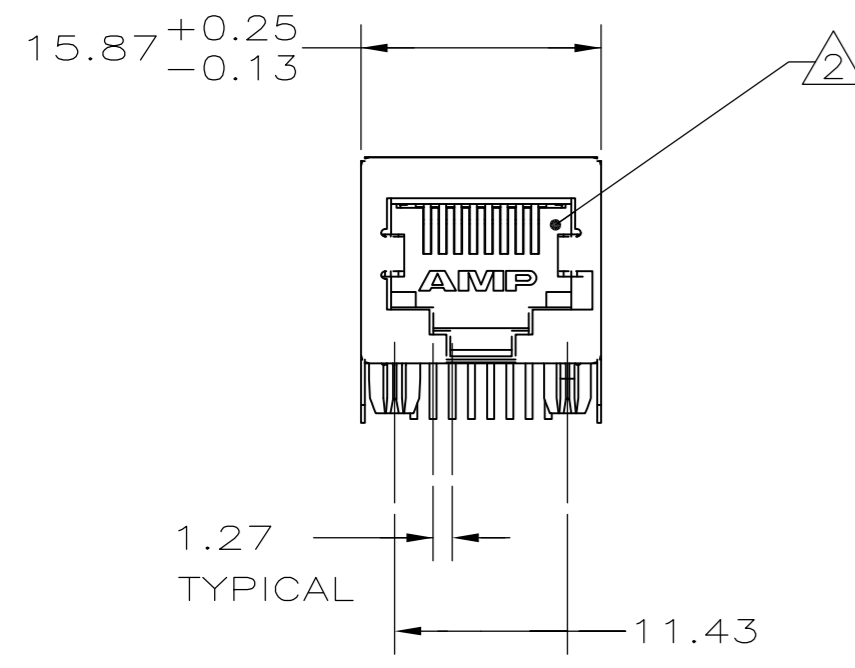
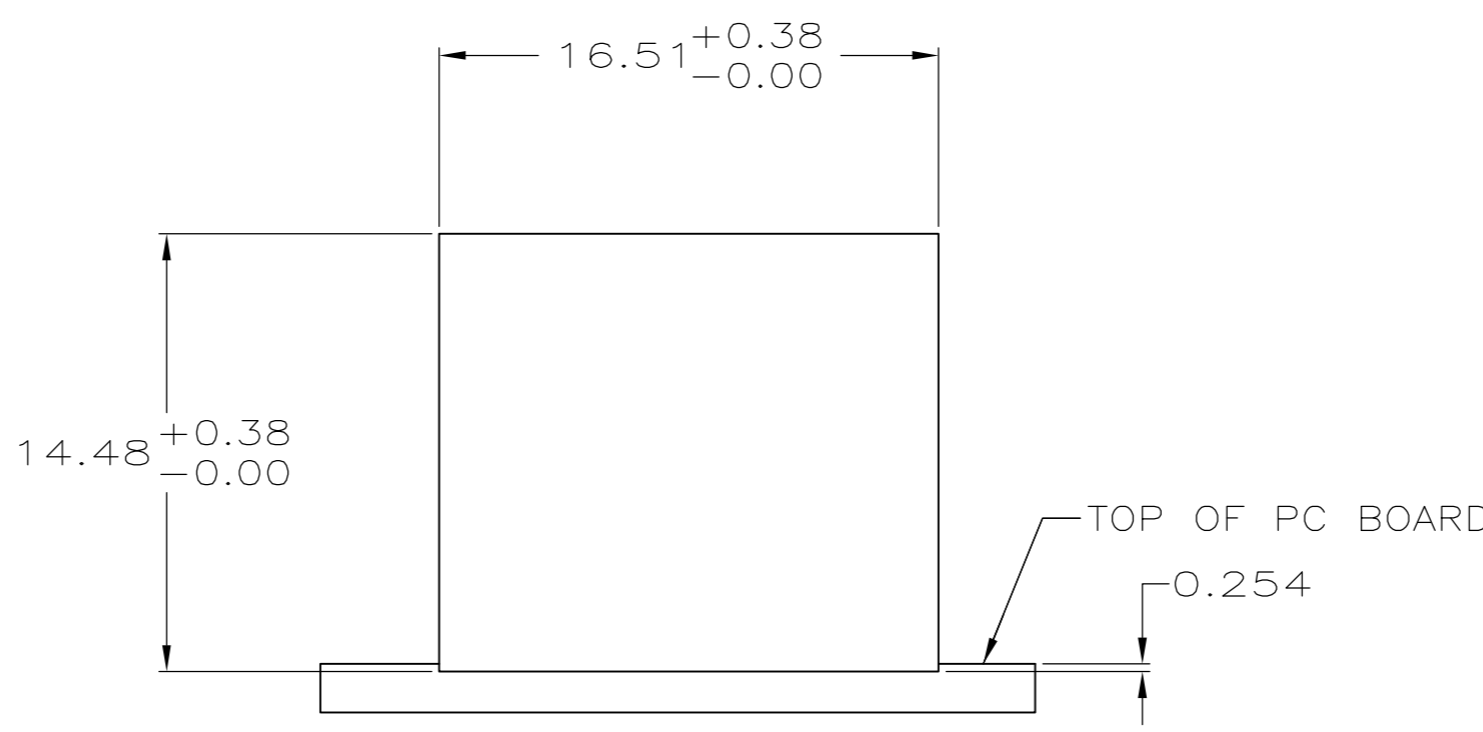
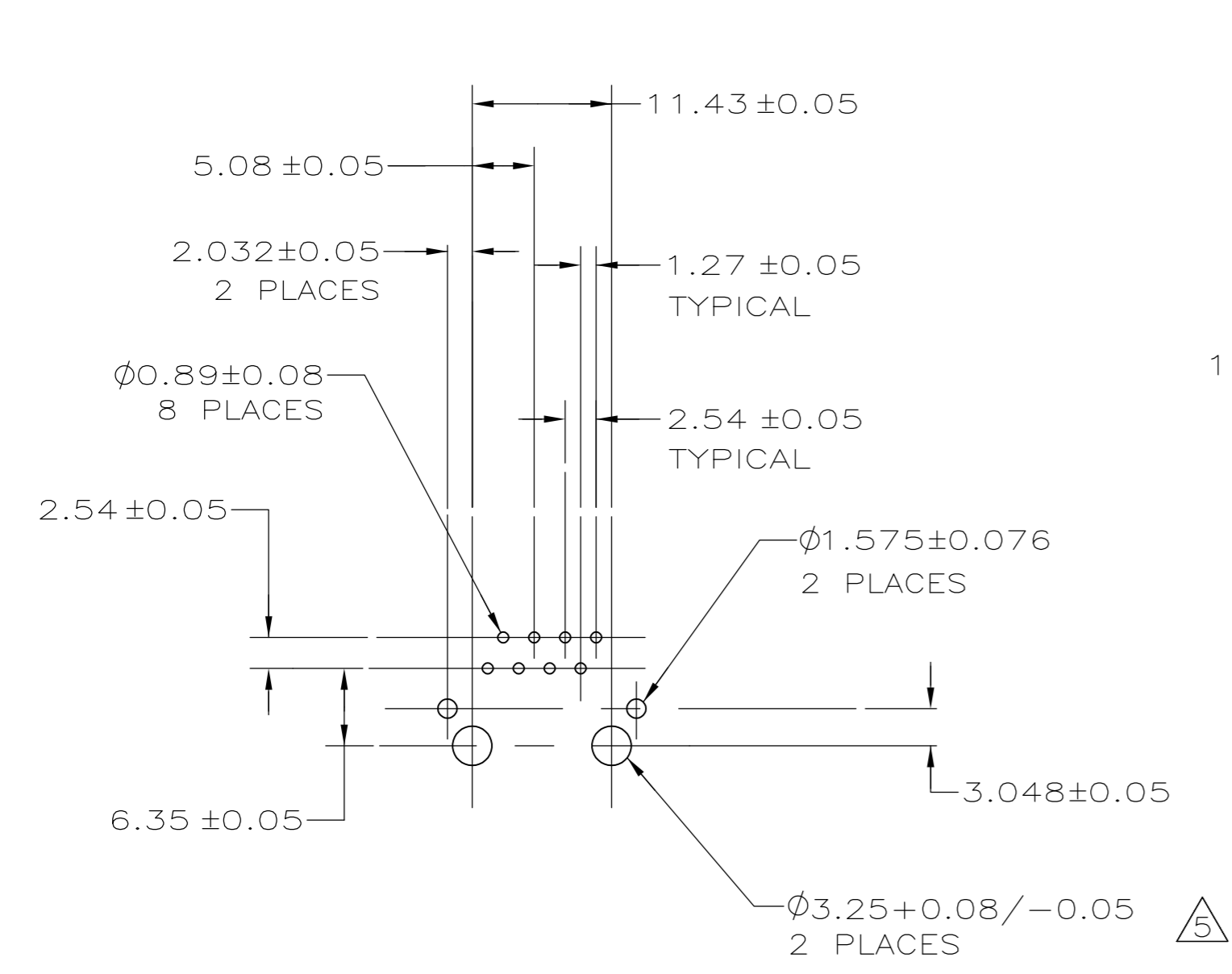


THIS DRAWING IS UNPUBLISHED. RELEASED FOR PUBLICATION  
 © COPYRIGHT - By - ALL RIGHTS RESERVED.

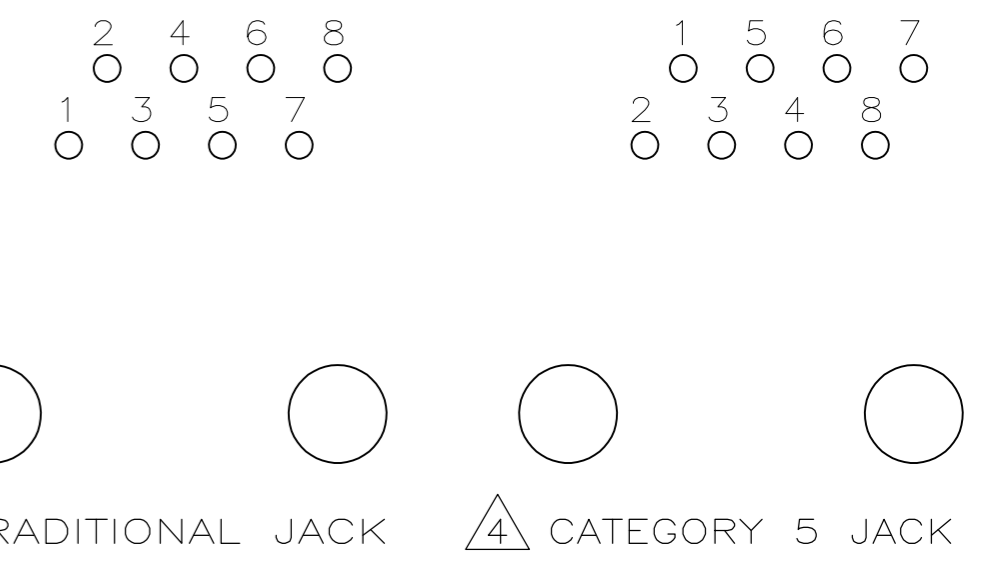
LOC	DIST	REVISIONS					
AA	00	P	LTR	DESCRIPTION	DATE	DWN	APVD
		B1		PER REV ECO-13-015979	11OCT2013	LL	SH



- ⚠ MATERIAL: HOUSING HIGH TEMPERATURE NYLON, TERMINALS - 0.33[.013] THICK PHOS BRONZE PLATED WITH 1.27μm[.000050] MINIMUM THICK HARD GOLD IN LOCALIZED AREA AND 3.81μm [.000150] MINIMUM THICK MATTE TIN IN SOLDER AREA OVER 1.27μm[.000050] MINIMUM THICK NICKEL UNDERPLATE.  
SHIELDS - 0.254[.010] THICK COPPER ALLOY PLATED WITH 1.27 μm [.000050] MINIMUM SATIN NICKEL WITH 2.03 μm [.000080] MINIMUM HOT TIN DIP ON PCB GROUND TABS
- ⚠ JACK CAVITY CONFORMS TO FCC RULES AND REGULATIONS, PART 68 SUBPART F.
- 3. ALL DIMENSIONS SHOWN ARE NOMINAL UNLESS OTHERWISE SPECIFIED.
- ⚠ CAUTION: CATEGORY 5 JACK SOLDER TAIL POSITIONS DO NOT FOLLOW SAME NUMBER SEQUENCE AS THAT OF TRADITIONAL JACKS.
- ⚠ USE #30 DRILL BIT OR 3.25mm DRILL BIT WHEN PRODUCING THESE PCB HOLES.
- ⚠ SHORT PIN TYPE, ONLY FOR 1888376-2
- ⚠ MATERIAL: LCP, BLACK, UL94V-0. LEAD FREE IR REFLOW PROCESS COMPATIBLE.  
TERMINALS - 0.33[.013] THICK PHOS BRONZE PLATED WITH 1.27μm[.000050] MINIMUM THICK HARD GOLD IN LOCALIZED AREA AND 3.81μm [.000150] MINIMUM THICK MATTE TIN IN SOLDER AREA OVER 1.27μm[.000050] MINIMUM THICK NICKEL UNDERPLATE.  
SHIELDS - 0.254[.010] THICK COPPER ALLOY PLATED WITH 1.27 μm [.000050] MINIMUM SATIN NICKEL WITH 2.03 μm [.000080] MINIMUM HOT TIN DIP ON PCB GROUND TABS



SUGGESTED PANEL CUTOUT  
SCALE 4:1



SUGGESTED PC BOARD LAYOUT  
COMPONENT SIDE

THIS DRAWING IS A CONTROLLED DOCUMENT.		DWN	01JUNE2005	T. PITTS/L.A.MAYER	
DIMENSIONS: mm		CHK	01JUNE2005	J.WESTMAN	
TOLERANCES UNLESS OTHERWISE SPECIFIED:		APVD	01JUNE2005	S.FLICKINGER	
0 PLC	± -	PRODUCT SPEC			
1 PLC	± -	108-1163			
2 PLC	± 0.254[.01]	APPLICATION SPEC			
3 PLC	± 0.127[.005]	114-2048			
4 PLC	± -	WEIGHT -			
ANGLES	± -	CUSTOMER DRAWING			
MATERIAL SEE NOTE 1 & 8		FINISH SEE NOTE 1 & 8		SCALE 2:1	

NAME	TE Connectivity	
MODULAR JACK ASSEMBLY, 8 POSITION, RIGHT ANGLE, LOW PROFILE, SHIELDED, PC BOARD GROUND, CATEGORY 5		
SIZE	CAGE CODE	DRAWING NO
A2	00779	C=1888376
RESTRICTED TO	-	
SHEET	1 OF 1	REV B1