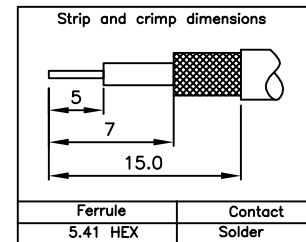
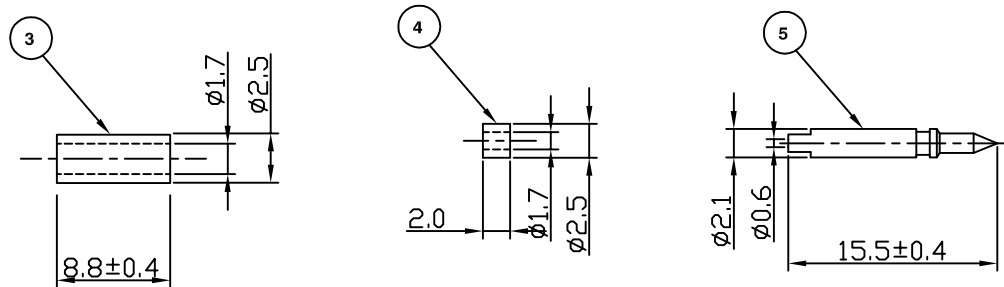
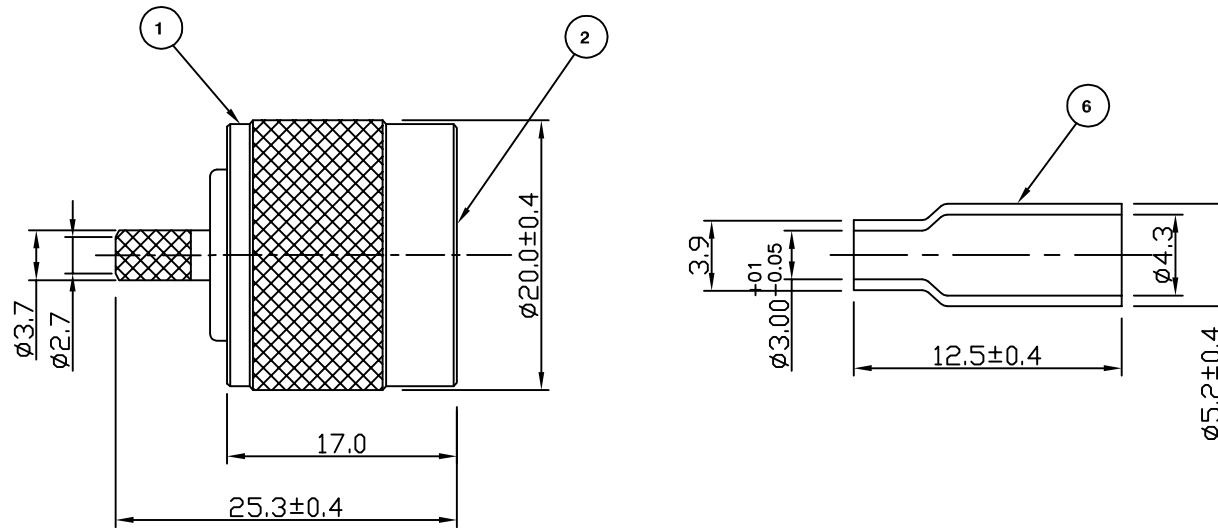


RoHS COMPLIANT



For stripping and assembly instructions see Drawing Number: VAIN1104

Electrical Characteristics

Nominal Impedance:	50 ohms
Frequency Range:	DC to 11 GHz
VSWR:	1.35:1 maximum
Insertion Loss:	0.17dB max
Operating Voltage (rms):	1500 V maximum at sea level
Dielectric Withstand Voltage (rms):	2500 V maximum at sea level
Contact Resistance:	1.0 milliohms maximum
Insulation Resistance:	5000 megohms minimum

Mechanical Characteristics

Mating Cycles:	500 cycles minimum
Interface Dimensions:	Conform to MIL-C-39012

Environmental Characteristics

Temperature Range:	-65 °C to +165 °C
--------------------	-------------------

PART	DESCRIPTION
1	Body Brass, nickel plated
2	Dielectric PTFE
3	Sleeve Brass, nickel plated
4	Sleeve Teflon
5	Contact Brass, gold plated
6	Ferrule Brass, nickel plated

Drawing, Address & RoHS Update	JT	3	25 Mar 10
CAD Issue	RP	2	12 Feb 07
First Issue	AT	1	02 Dec 99
DESCRIPTION OF REVISION	APPVD	ISS	DATE



Cinch Connectivity Solutions
7-13 Russel Way,
Widford Industrial Estate,
Chelmsford, Essex,
CM1 3AA, UK.
Tel: +44 (0) 1245 359515
Fax: +44 (0) 1245 358938

SCALE: Not To Scale

DIMENSIONS: mm

TOLERANCES:
± 0.2mm unless
otherwise stated

DRAWN BY:

R Presland

CHECKED BY:

M Spooner

APPROVED BY:

M Spooner

DATE:

12 Feb 07

TITLE:

N Crimp Plug for RG174/U,
188A/U,316/U & LMR-100

PART NUMBER:

VN10-2087

PAGE: 1 of 1