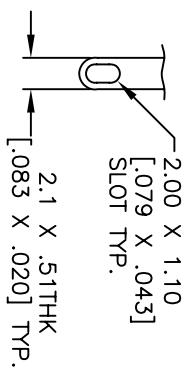
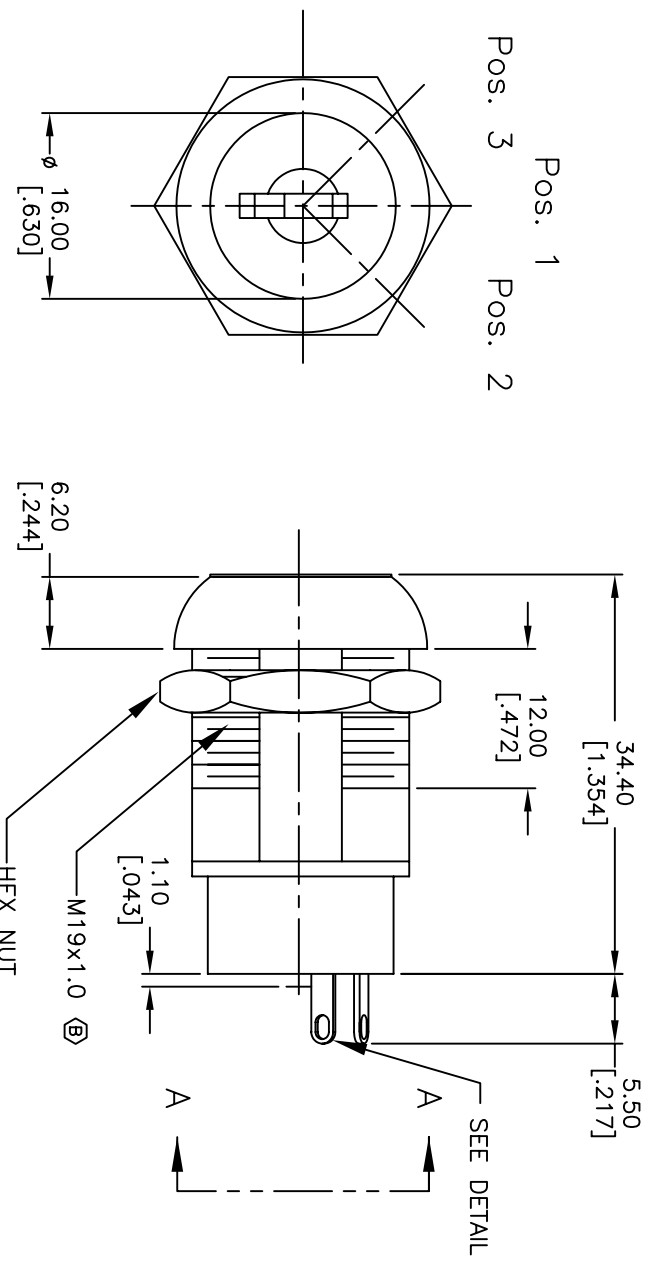


RECOMMENDED PANEL LAYOUT



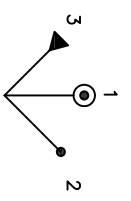
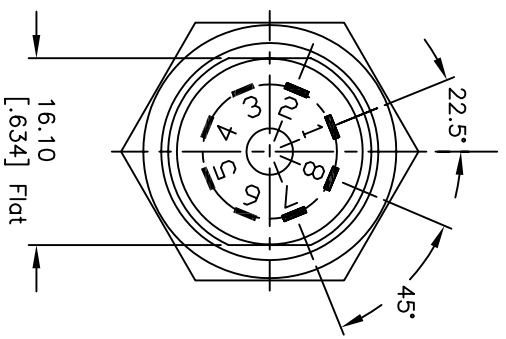
TERMINAL DETAIL
SCALE 2X



Pos. 1
Pos. 2
Pos. 3

Pos. 1 Ref.

- NOTES:
1. ALL DIMENSIONS IN MM [INCH]
 2. GENERAL TOLERANCE: X.X=±0.4
X.XX=±0.25
 3. TERM. NOS. FOR REF. ONLY
 4. CONTACT RATING: 4A @125VAC/28VDC, 2A @250VAC
 5. DIELECTRIC STRENGTH: 1KV RMS min. at sea level
 6. ELECTRICAL LIFE: 10,000 make-and-break cycles at full load.
 7. MATERIALS:
CONTACTS: Silver Plated CU (Q Contact material)
TERMINALS: Silver Plated Cu (Q Contact material)
MOUNTING NUT: Nickel Plated zinc alloy
CONTACT SPRING: Piano Wire
KEYS: (QTY. 2) Brass with code no. A126
LOCK: Bright Ni plated zinc alloy with NI facing
TUMBLER Mechanism: 4-disc tumbler cylinder.



CIRCUIT: DP (45° INDEXING)
CONTACT CONFIGURATION

| SWITCH FUNCTION | | |
|----------------------|---------|---------|
| CONNECTED TERMINAL # | POS. 1 | POS. 2 |
| POS. 1 | POS. 2 | POS. 3 |
| 8-1,4-5 | 1-2,5-6 | 8-7,3-4 |

- LEGEND
- =Detent Positions (45°)
 - ⊙ =Key pull possible in these positions
 - ▲ =MOMENTARY POS.

| REV. | ECN No. | DESCRIPTION | DATE | CHKD |
|------|---------|----------------------------|----------|------|
| B | 19502 | CHANGED THREAD DESCRIPTION | 12/08/10 | BGL |
| A | 11566 | RELEASED FOR PRODUCTION | 7/12/01 | CJB |

| TITLE | | SCALE | DATE | DR | DWG | REV |
|-------------|--|-------|---------|----|---------|-----|
| K0129M-A126 | | 1:1 | 7/12/01 | CB | K200317 | B |



THE INFORMATION CONTAINED IN THIS DOCUMENT IS PROPRIETARY TO E-SWITCH AND IS NOT TO BE COPIED OR TRANSFERRED