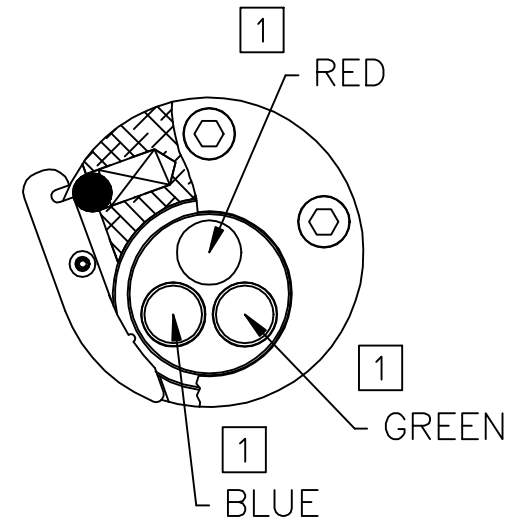
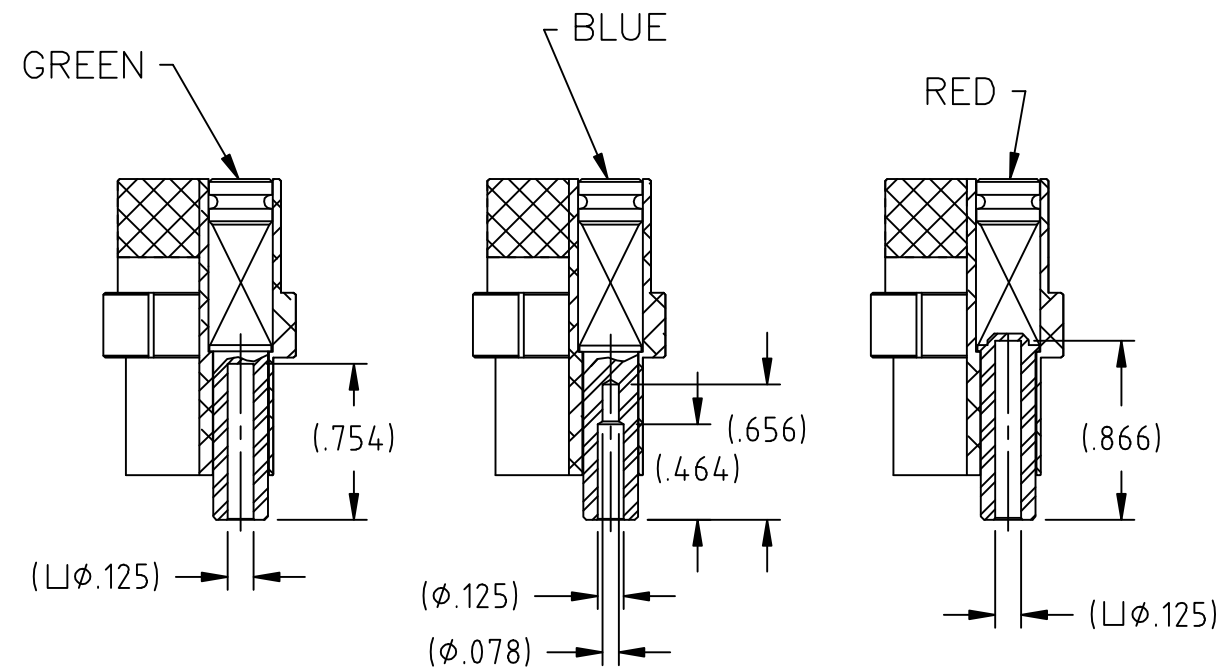
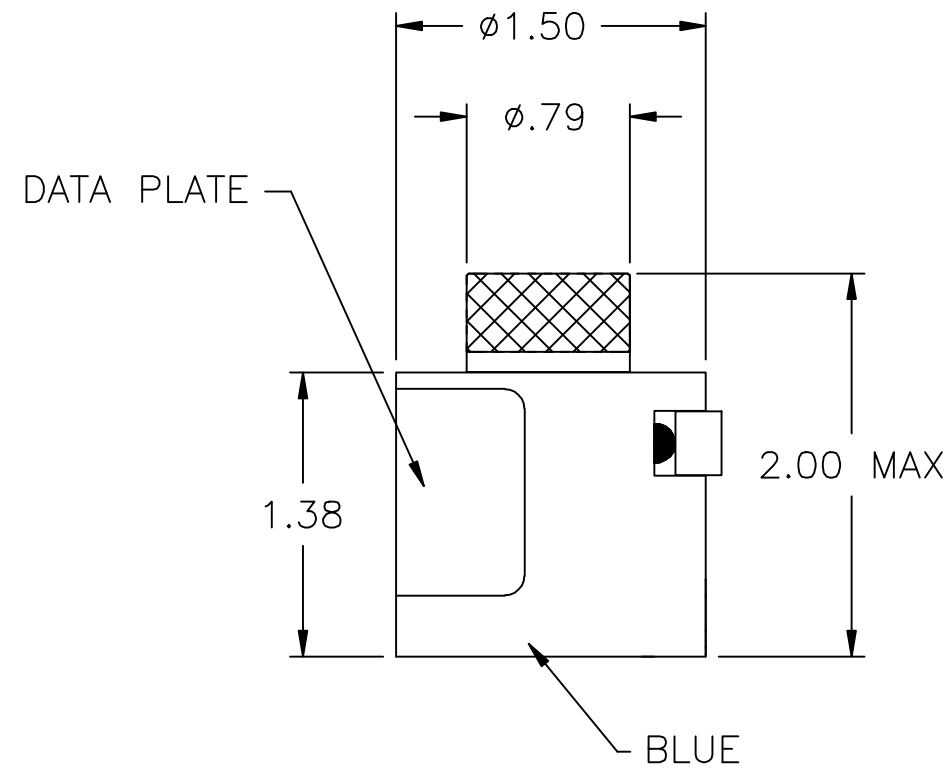


**UNCONTROLLED DOCUMENT
WILL NOT BE UPDATED**



1
RANDOM ORDER OF ROTATION IS
ACCEPTABLE



TYPICAL CONSTRUCTION

M39012/	POSITIONER COLOR	RG 142B/U	RG 213/U	RG 214/U	RG 225/U	RG 393/U	RG 400/U	CABLE SIZE	SELECTOR SETTING
03-0501	GREEN		8	8	8	8			
03-0502		7					7		
03-0503									
35-0501	BLUE			8	8	8			
36-0501									
38-0501		7					7		
35-0503	RED			8	8	8			
36-0503		7							
38-0503									
40-0501		7					7		
40-0503									

DATA PLATE

A NEW RELEASE.					DYO	10-28-11	MMK	THESE DRAWINGS, SPECIFICATIONS OR OTHER DATA ARE AND REMAIN, THE PROPERTY OF ASTRO TOOL CORP. AND MUST BE RETURNED UPON REQUEST. THEY CONTAIN INFORMATION OWNED AND/OR DEVELOPED BY ASTRO AT ITS OWN PRIVATE EXPENSE AND MAY NOT BE USED, DUPLICATED OR DISCLOSED TO OTHERS, IN WHOLE OR IN PART FOR DESIGN, MANUFACTURE OR PROCUREMENT WITHOUT THE WRITTEN PERMISSION OF ASTRO TOOL CORP. EACH AND EVERY TIME.	SCALE: N.T.S. DWN BY: DYO DATE: 10-28-11 APPROVED:	UNLESS OTHERWISE SPECIFIED: DECIMALS: .XXX ± .005 .XX ± .010 .X ± .030 ANGLES: ± 1°	ASTRO TOOL CORP. 21615 S.W. TUALATIN VALLEY HWY., BEAVERTON OR 97006 DESCRIPTION: ENVELOPE DRAWING: 616409 TURRET ASSEMBLY, M22520/1-14	CAGE 58164
REV.	DESCRIPTION	BY	DATE	APR.	PART NO. B 616409-ENV							

NOTES: 1. THIS IS AN AUTOCAD DRAWING DO NOT CHANGE MANUALLY.