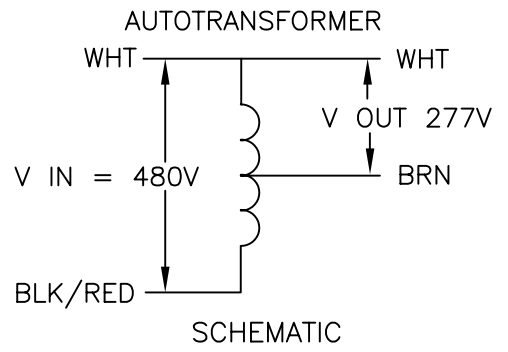
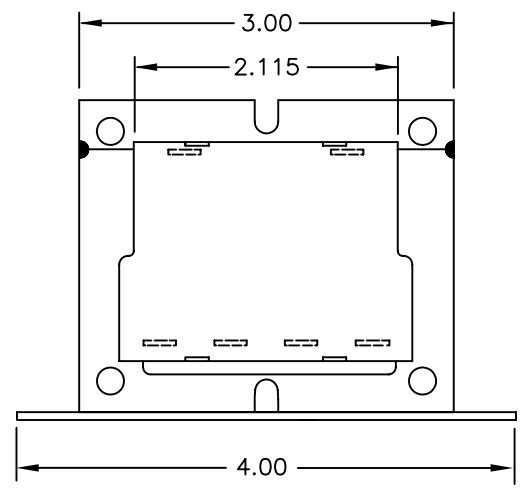
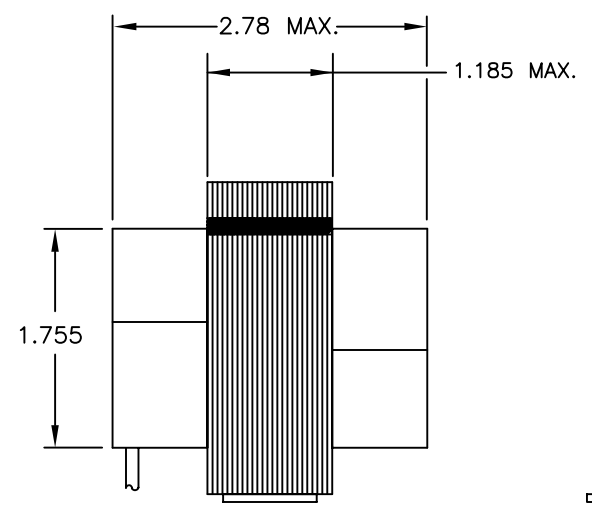
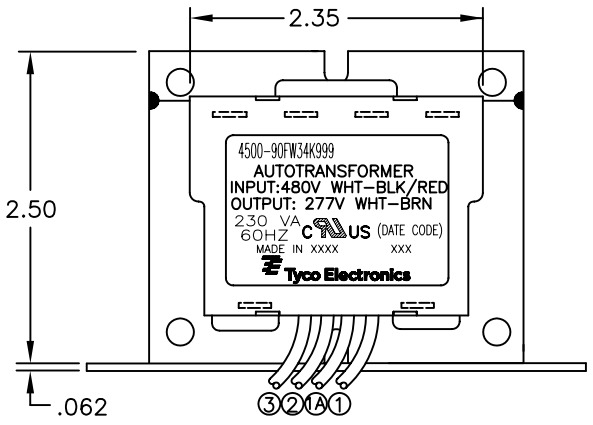
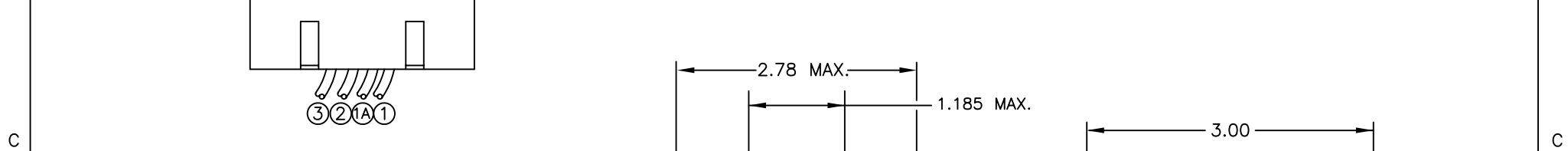


ALL LEADS 18AWG-UNLESS OTHERWISE SPECIFIED					NOTES			CERTIFICATION:	
PRIMARY					1. DIMENSIONS FOR REFERENCE ONLY.			UL/CUL FILE NO. E102980	
LEAD NO.	1	1A	2	3	2. ALL LEADS +1"/-0" TOL.				
VOLTAGE	COM	COM	277/OUT	480/IN	3. STRIP TOL. ±1/32				
COLOR	WHT	WHT	BRN	BLK/RED	4. WINDING PROTECTION-NONE				
LENGTH	12.0	12.0	12.0	12.0	5. TRANSFORMER TO BE DIP VARNISHED.				
STRIP LENGTH	.50	.50	.50	.50					



TYCO ELECTRONICS PART NUMBER  
 1611516-8

THIS DRAWING IS A CONTROLLED DOCUMENT.		DWN	K.H.	03AUG06	Tyco Electronics Corporation Harrisburg, PA 17105-3608		
DIMENSIONS: INCHES		CHK	DH	03AUG06	NAME		
TOLERANCES UNLESS OTHERWISE SPECIFIED:		APVD	HT	03AUG06	PRODUCT SPEC		
0 PLC ± -		APPLICATION SPEC		TRANSFORMER OUTLINE P.U. STOCK			
1 PLC ± -		WEIGHT		SIZE			
2 PLC ±.01		CUSTOMER DRAWING		A3		CAGE CODE	
3 PLC ±.005		SCALE		00779		DRAWING NO	
4 PLC ± -		SHEET		C=4500-90FW34K999		RESTRICTED TO	
ANGLES ± -		REV		B			
MATERIAL		1:1		1 of 1			
FINISH		B					