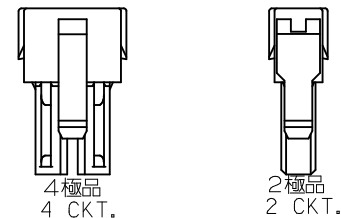
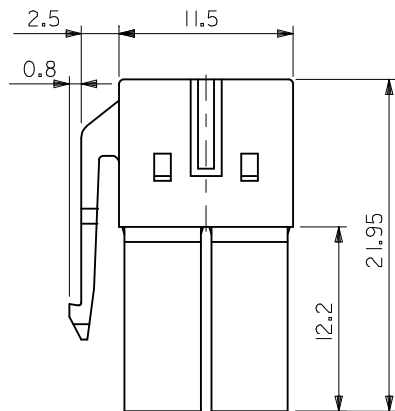
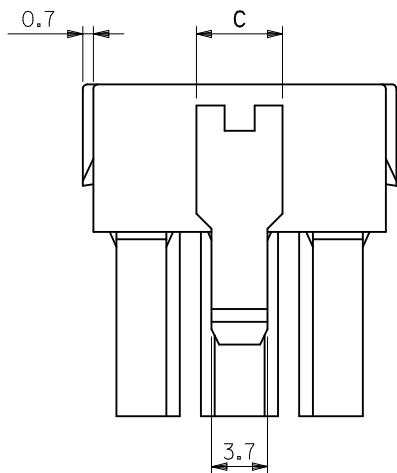


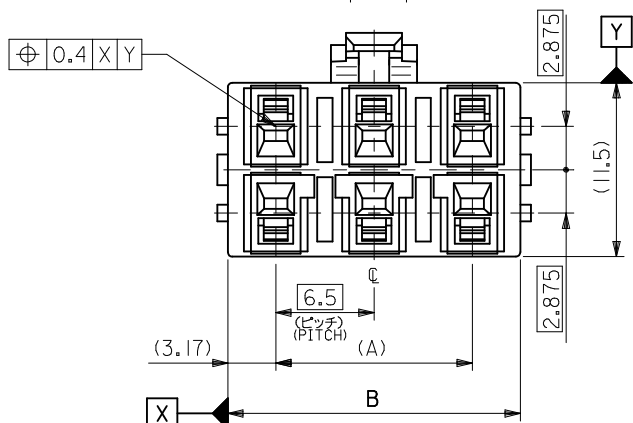
ターミナル及びリテーナー装着状態図
TERMINAL & RETAINER ASSEMBLY DRAWING



ロック形状図
LOCK CONFIGURATION

注記
NOTES

- 適合ターミナル : 50597, 50598
APPLICABLE TERMINAL : 50597 , 50598
- 適合リテーナー : 51143
APPLICABLE RETAINER : 51143
- 嵌合相手 : 53721,53728 シリーズ
MATE WITH : 53721,53728 SERIES



MATERIAL
PBTP, UL94V-0
(色 : 自然色)
(COLOR : NATURAL)

REVISED EC NO: J2013-0477 2012/10/24 DRWN: NITO CHKD: KASAKAWA 2012/10/24 APPR: YOITO 2012/10/24	DESCRIPTION A	GENERAL TOLERANCES (UNLESS SPECIFIED)		DIMENSION STYLE MM ONLY		SCALE ---	DESIGN UNITS METRIC	THIRD ANGLE PROJECTION	
		10 UNDER	±0.2	DRAWN BY NITO	DATE 2012/10/24	TITLE 6.5 WIRE TO BOARD CONN. RECEPTACLE HOUSING			
		10 OVER 30 UNDER	±0.25	CHECKED BY KASAKAWA	DATE 2012/10/24				
		30 OVER	±0.3	APPROVED BY YOITO	DATE 2012/10/24				
ANGULAR ±3 ° DRAFT WHERE APPLICABLE MUST REMAIN WITHIN DIMENSIONS		MATERIAL NO. SEE CHART	DOCUMENT NO. SD-51142-002	SHEET NO. 1 OF 1		THIS DRAWING CONTAINS INFORMATION THAT IS PROPRIETARY TO MOLEX INCORPORATED AND SHOULD NOT BE USED WITHOUT WRITTEN PERMISSION			