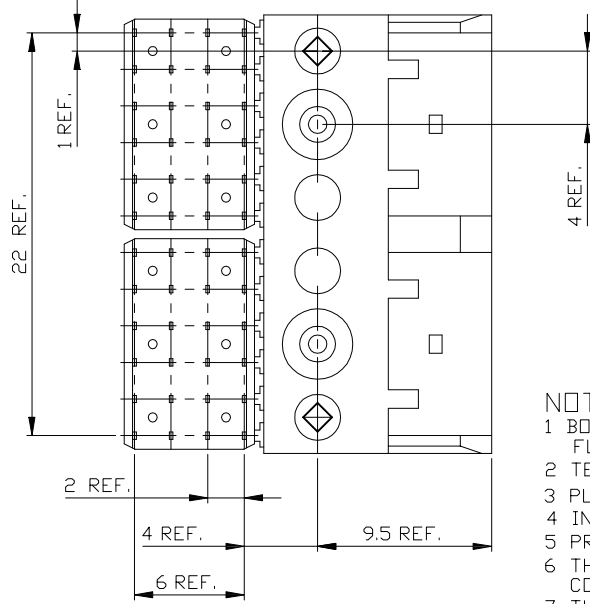
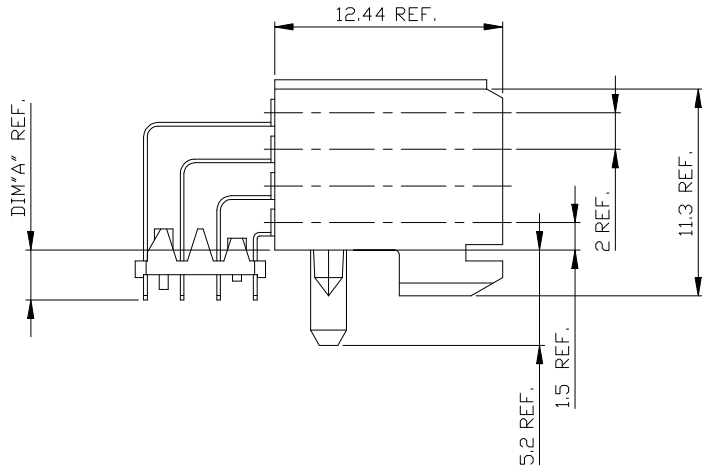


Tous droits strictement réservés. Reproduction ou communication à des tiers sans autorisation écrite du propriétaire. Property of F.C.I. S.A. without written authority from the proprietor. © F.C.I. S.A.

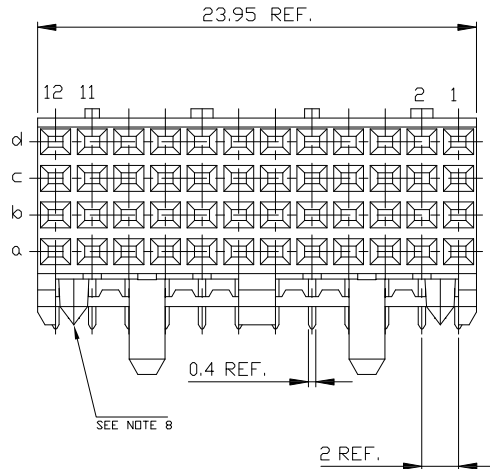
All rights strictly reserved. Reproduction or issue to third parties in any form without written authority from the proprietor. © F.C.I. S.A.



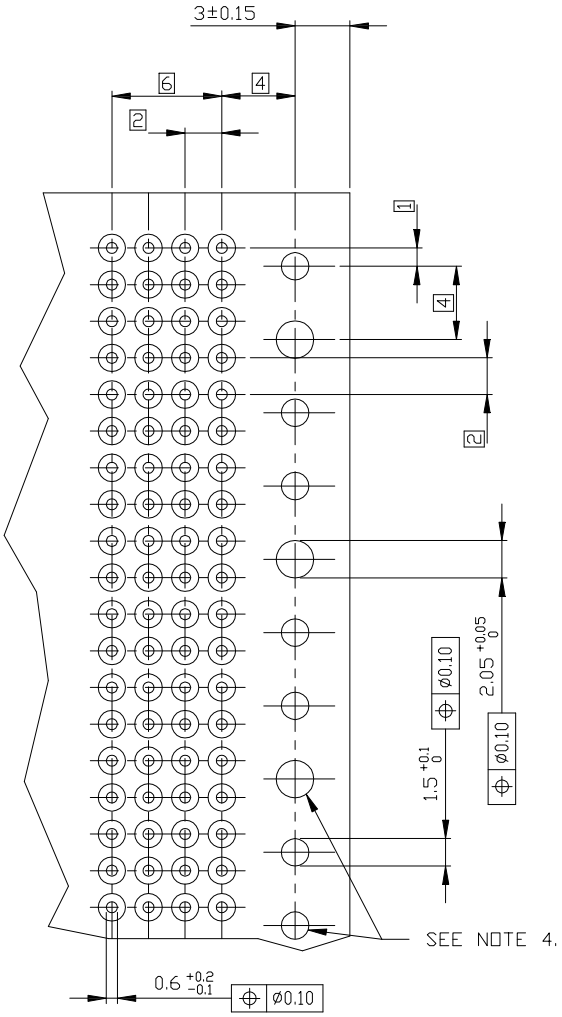
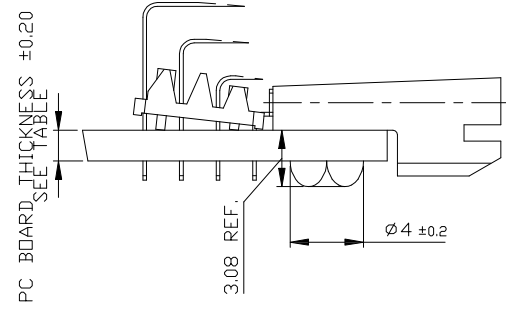
PC BOARD VERSIONS		
PRODUCTNR:	PCB THICKNESS	DIM"A"
70228-X01/X01LF	1.6	2.90
70228-X11/X11LF	2.4	3.53



PLATING CONTACT AREA:	
DASH NR:	PERFORMANCE LEVEL
-1YY/1YYLF	TELCORDIA CO
-2YY/2YYLF	CUSTOMER SPECIAL
-3YY/3YYLF	CUSTOMER SPECIAL



PRODUCT AFTER HOT RIVETTING.

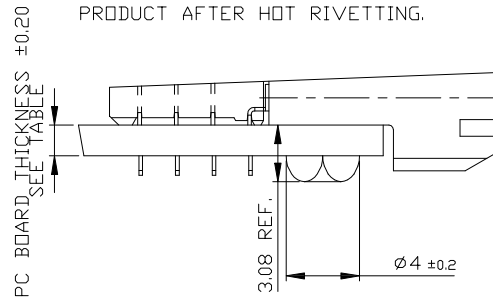
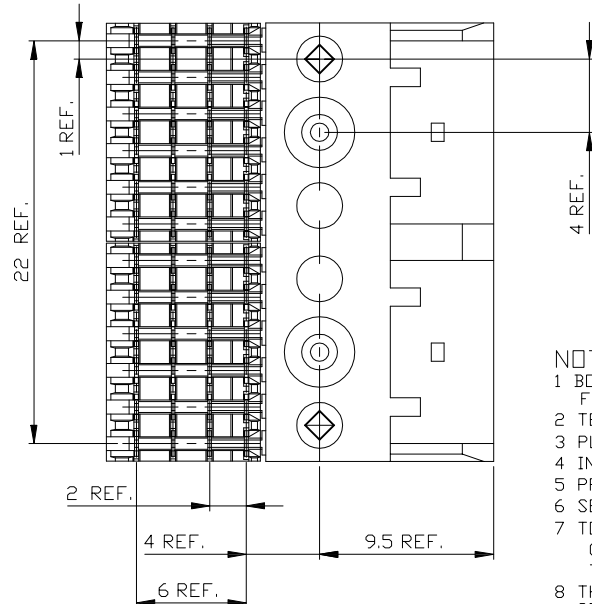
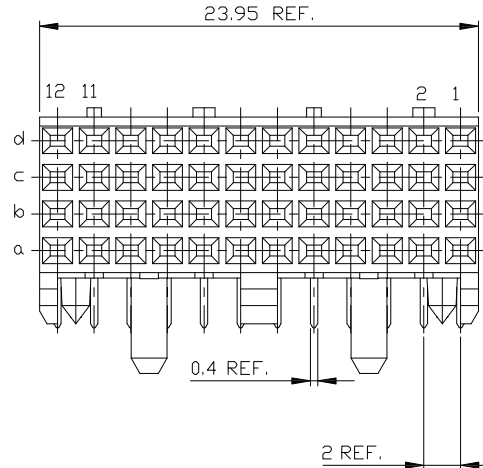
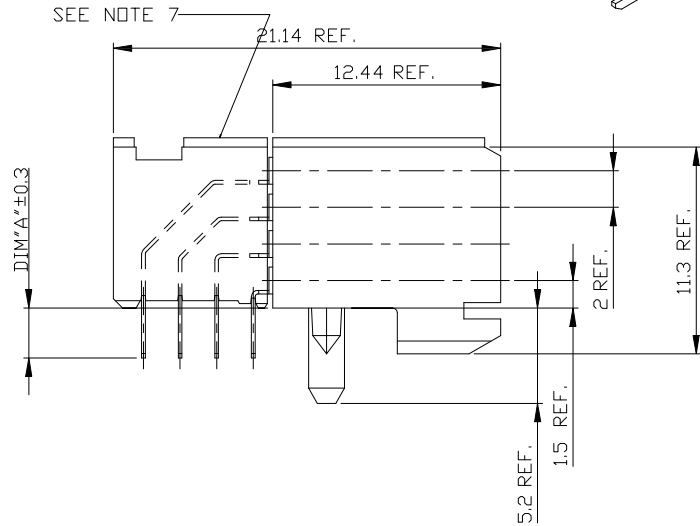
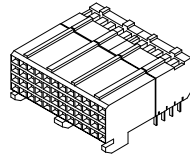


RECOMMENDED HOLE PATTERN, COMPONENT SIDE.

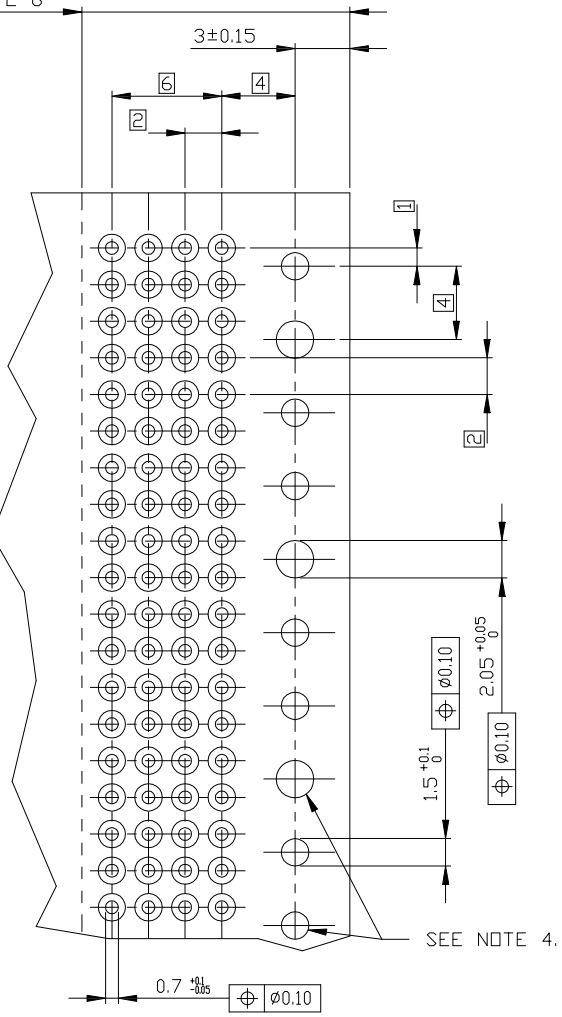
- NOTES:
- BODY MAT'L: LIQUID CRYSTAL POLYMER 30% GLASS FLAME RETARDANT ACC. UL 94-V0
  - TERMINAL MATERIAL: PHOSPHOR BRONZE.
  - PLATING SOLDER TAILS 2-8 um SnPb 90-97 OR 2-8 um PURE Sn
  - INDICATED HOLES ARE UNPLATED.
  - PRODUCT MARKING: PARTNUMBER & BATCH ID.
  - THIS PRODUCT MEETS EUROPEAN UNION DIRECTIVES AND OTHER COUNTRY REGULATIONS AS DESCRIBED IN GS-22-008.
  - THE HOUSING WILL WITHSTAND EXPOSURE TO 260 DEGREE PEAK TEMPERATURE FOR 10 SECONDS IN A WAVE SOLDER APPLICATION.
  - DIAMOND LOCATION PEG ARE ONLY EXISTED ON THE BOTH SIDES OF PRODUCT.

mat'l code		tolerances unless otherwise specified		CUSTOMER CDPY		FCI		www.ficconnection.com	
ltr	ecn	nodr	date	linear	projection	title	RA FEMALE SIGNAL		
K	DG04-004	Clu	041221		1st angle	STB 24 mm VERSION	product family	METRAL(tm)	code
L	DG06-0477	Cenh	11/17/06				size	dwg no	213
M	DG07-0168	Cenh	05/10/07	angles			scale	5:1	sheet
N	DG09-0068	Cenh	06/06/09	dir	Avan Zanten	900918			1 of 3
				engr	H. Bouwknegt	940308			
H	V00578	LLA	000316	chr	A van Zanten	900918			
J	V00847	LLA	000530	app	H van Voensel	900918			
sheet	revision	N	N						
index	sheet	1	2						

PC BOARD VERSIONS		
PRODUCTNR:	PCB THICKNESS	DIM"A"
70228-X02/X02LF	1.6	2.90
70228-X12/X12LF	2.4	3.53



14.64 REF. SEE NOTE 6



PC BOARD THICKNESS ±0.20  
SEE TABLE

PRODUCT AFTER HOT RIVETTING.

NOTES:

- BODY MAT'L: LIQUID CRYSTAL POLYMER 30% GLASS  
FLAME RETARDANT ACC. UL 94-V0
- TERMINAL MATERIAL: PHOSPHOR BRONZE.
- PLATING SOLDER TAILS 2-8 um SnPb 90-97 OR 2-8 um PURE Sn
- INDICATED HOLES ARE UNPLATED.
- PRODUCT MARKING: PARTNUMBER & BATCH ID.
- SET BACK FOR PRESS BLOCK.
- TOP SURFACE OF PRESS BLOCK MAY EXTEND UP TO 0.4MM HIGHER THAN HOUSING. THIS MAY AFFECT THE TAIL LENGTH BEFORE APPLICATION TO A BOARD
- THIS PRODUCT MEETS EUROPEAN UNION DIRECTIVES AND OTHER COUNTRY REGULATIONS AS DESCRIBED IN GS-22-008
- THE HOUSING WILL WITHSTAND EXPOSURE TO 260DEGREE PEAK TEMPERATURE FOR 10 SECONDS IN A WAVE SOLDER APPLICATION.
- DIAMOND LOCATION PEG ARE ONLY EXISTED ON THE BOTH SIDES OF PRODUCT.

RECOMMENDED HOLE PATTERN,  
COMPONENT SIDE.

PLATING CONTACT AREA:	
DASH NR:	PERFORMANCE LEVEL
-1YY/1YYLF	TELCORDIA CO
-2YY/2YYLF	CUSTOMER SPECIAL
-3YY/3YYLF	CUSTOMER SPECIAL

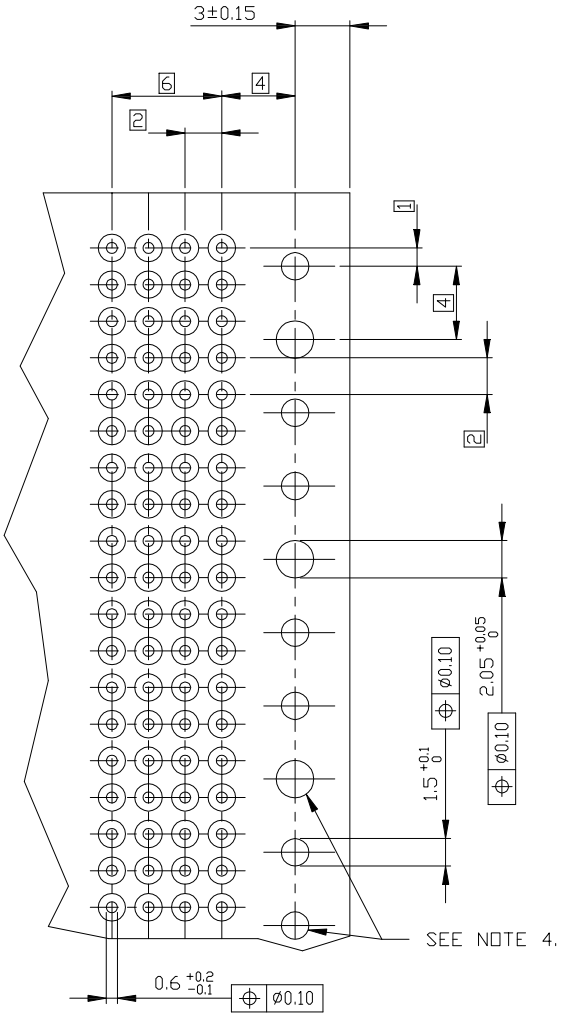
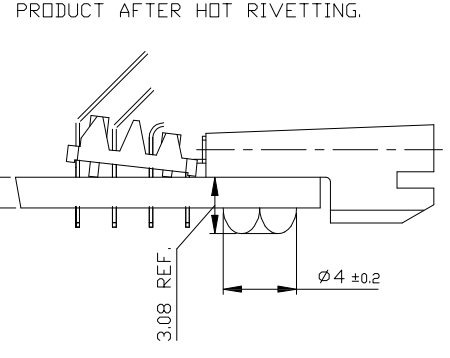
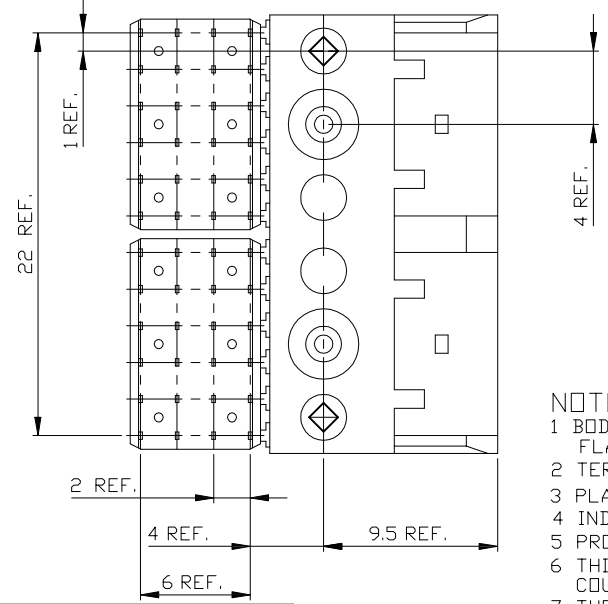
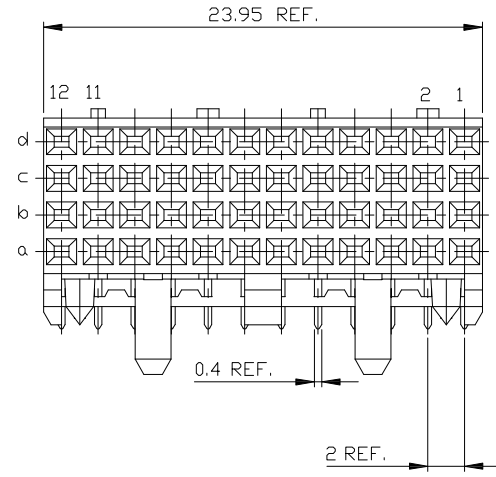
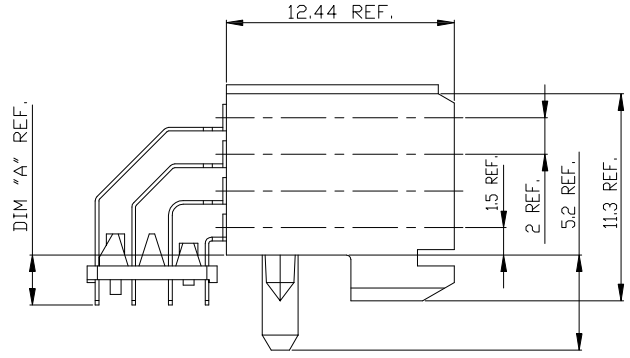
nat'l. code		tolerances unless otherwise specified		CUSTOMER CDY		 www.fciconnection.com	
l	tr	ec	n	no	dr	date	
					linear		
					projection		title
					angles		RA FEMALE SIGNAL STB 24 mm VERSION
					dir	D. de Bil	970529
					engr	P. Schalk	970529
					chr	P. Schalk	970529
					app	H. Cooljans	970529
sheet	revision				mm	product family	METRAL(tm)
index	sheet				scale	size	dwg no
					5:1	A2	70228
							code
							213
							sheet
							2 of

All rights strictly reserved. Reproduction or use in any form without written authority from the proprietor. Property of F.C.I. bv. © F.C.I. bv.



All rights strictly reserved. Reproduction or issue in any form without written authority from the proprietor. Property of F.C.I. S.A. © F.C.I. S.A.

PC BOARD VERSIONS		
PRODUCTNR:	PCB THICKNESS	DIM "A"
70228-X03/X03LF	1.6	2.90
70228-X13/X13LF	2.4	3.53



- NOTES:**
- BODY MAT'L: LIQUID CRYSTAL POLYMER 30% GLASS FLAME RETARDANT ACC. UL 94-V0
  - TERMINAL MATERIAL: PHOSPHOR BRONZE.
  - PLATING SOLDER TAILS 2-8 um SnPb 90-97 OR 2-8 um PURE Sn
  - INDICATED HOLES ARE UNPLATED.
  - PRODUCT MARKING: PARTNUMBER & BATCH ID.
  - THIS PRODUCT MEETS EUROPEAN UNION DIRECTIVES AND OTHER COUNTRY REGULATIONS AS DESCRIBED IN GS-22-008.
  - THE HOUSING WILL WITHSTAND EXPOSURE TO 260 DEGREE PEAK TEMPERATURE FOR 10 SECONDS IN A WAVE SOLDER APPLICATION.
  - DIAMOND LOCATION PEG ARE ONLY EXISTED ON THE BOTH SIDES OF PRODUCT.

PLATING CONTACT AREA:	
DASH NR:	PERFORMANCE LEVEL
-1YY/1YYLF	TELCORDIA CO
-2YY/2YYLF	CUSTOMER SPECIAL
-3YY/3YYLF	CUSTOMER SPECIAL

mat'l code		tolerances unless otherwise specified		CUSTOMER CDPY			
l	tr	ec	n	no	dr	date	www.fciconnection.com
				linear	projection	title	RA FEMALE SIGNAL
				angles	mm	product family	STB 24 mm VERSION
				dir Heaven Cen 11/17/06	scale	product family	METRAL(tm)
				enr Collins Lu 11/17/06	5:1	code	213
				chr Beer Fu 11/17/06		sheet	3 of
				appd Joseph Hsla 11/17/06			
sheet	revision						
index	sheet						