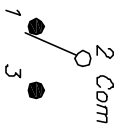


RECOMMENDED P.C.B. LAYOUT  
NOT TO SCALE

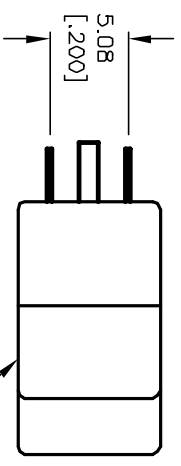


CIRCUIT: SPDT

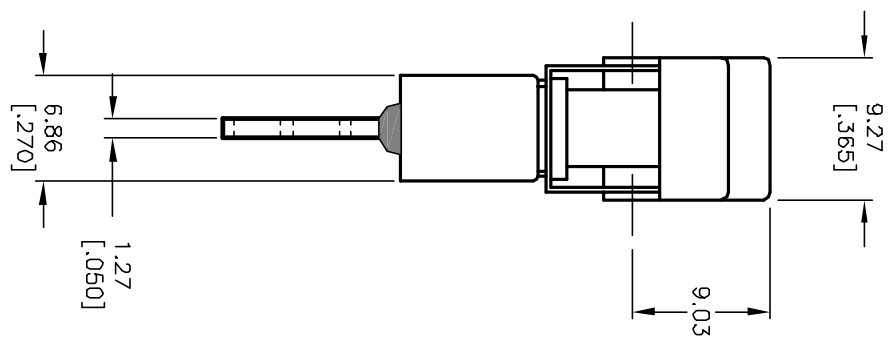
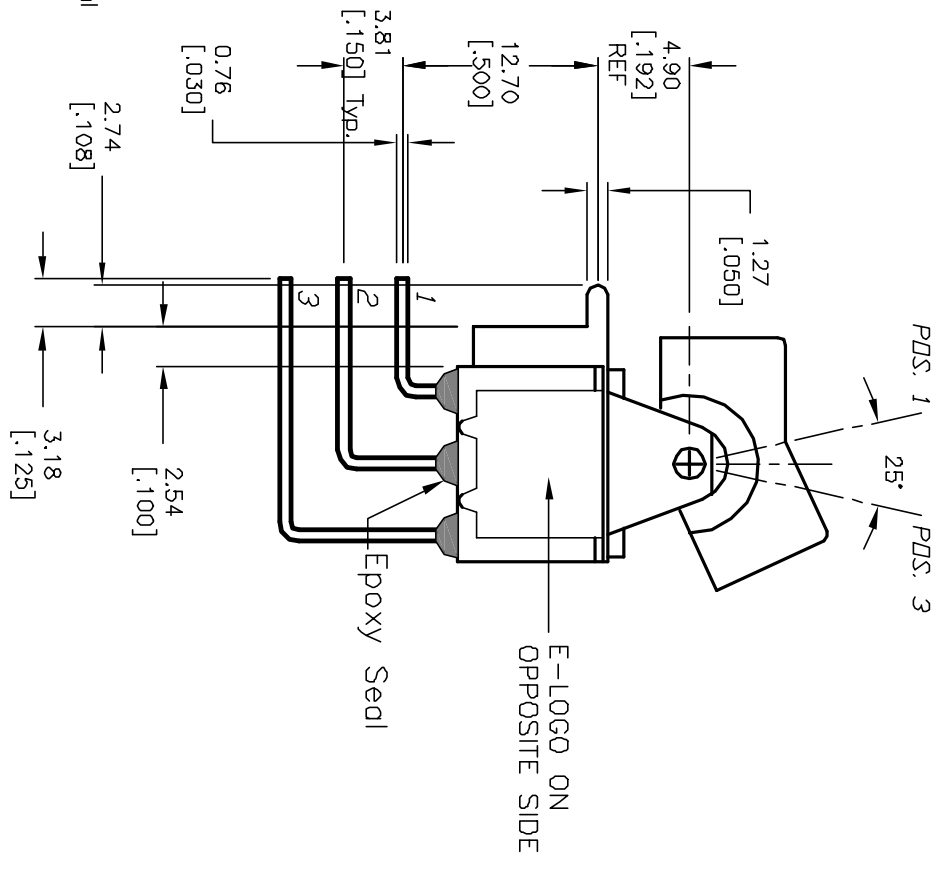
SWITCH FUNCTION		
PDS. 1	PDS. 2	PDS. 3
DN	NONE	DN
2-3	OPEN	2-1

NOTES:

1. ALL DIMENSIONS IN MM [INCH]
2. GENERAL TOLERANCE: X.X=±0.4  
X.XX=±0.25
3. TERM. NOS. FDR REF. ONLY
4. RATING: 5A@ 120V AC or 28V DC;  
2A@ 250V AC
5. MATERIAL: FIXED TERMINAL & MOVING CONTACT  
Copper Alloy w/SILVER PLATING
6. CONTACT RESISTANCE: 10mILLI Ohms max initial  
@2-4VDC, 100mA for AG & AU
7. ELECTRICAL LIFE: 50,000 make-and-break  
cycles at full load.
8. INSULATION RESISTANCE: 1,000M ohm min.
9. DIELECTRIC STRENGTH: 1000V RMS @sea level
10. OPERATING TEMP.: -30°C to 85°C



(J1 BLK) ROCKER



REV.	ECN No.	REVISION AND REDRAWN	DATE	CHKD
C	12210	REVISION AND REDRAWN	6/5/02	CJB
		DESCRIPTION	DATE	CHKD

TITLE	SCALE	DATE	DR	DWG	REV
300 SP-1 (J1 BLK) M7 QE	2:1	6/5/02	CJB	T311014	C

**E-SWITCH®**

THE INFORMATION CONTAINED IN THIS DOCUMENT IS PROPRIETARY TO E-SWITCH AND IS NOT TO BE COPIED OR TRANSFERRED