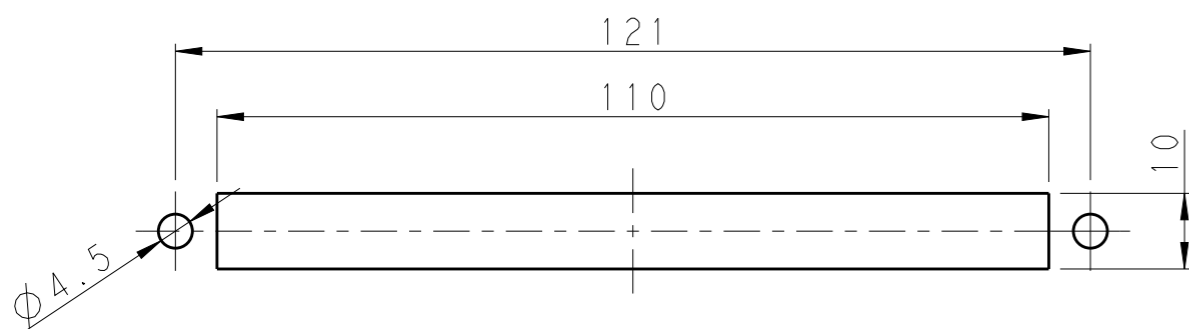
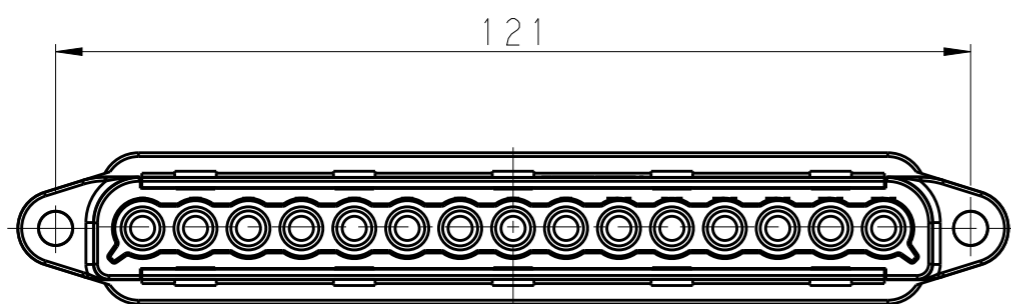
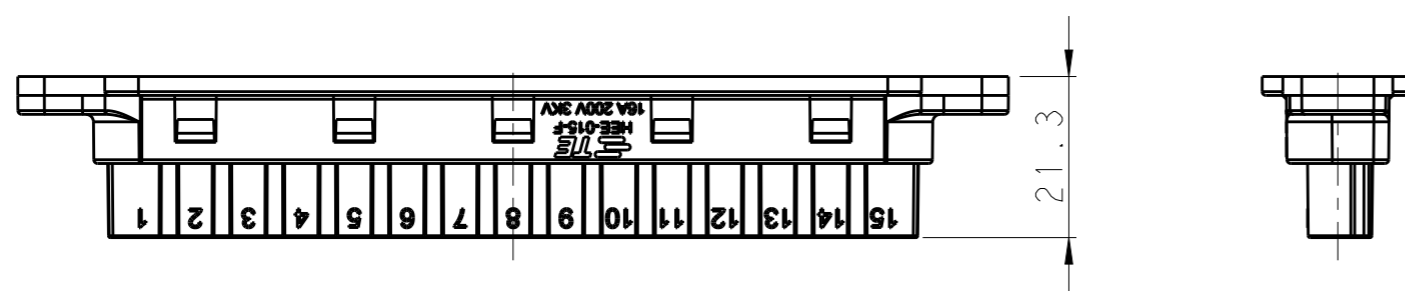
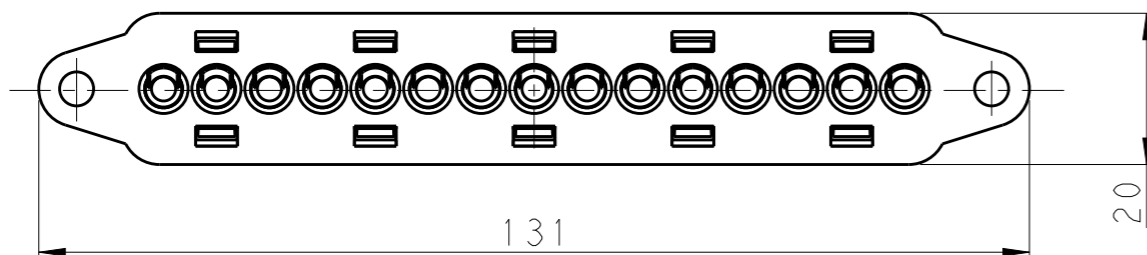
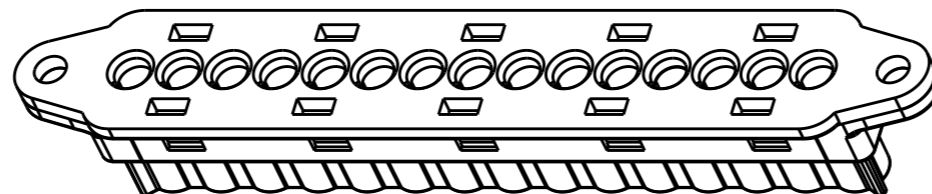


THIS DRAWING IS UNPUBLISHED. RELEASED FOR PUBLICATION 20  
 © COPYRIGHT 20 BY - ALL RIGHTS RESERVED.

REVISIONS

P	LTR	DESCRIPTION	DATE	DWN	APVD
	A	INITIAL	10MAR2015	DL	CW



PANEL CUT OUT FOR INSERTS FOR USING WITHOUT HOODS/HOUSINGS

NOTES:

- TECHNICAL CHARACTERISTICS:  
 INSULATION MATERIAL: PA  
 RATED VOLTAGE: 200 V  
 RATED CURRENT: 16 A  
 INSULATION RESISTANCE:  $\geq 400M\Omega$   
 RATED IMPULSE VOLTAGE: 3 KV  
 FLAMMABILITY: UL94V-0  
 MATING CYCLES: 200 FOR SILVER PLATED  
 500 FOR GOLD PLATED  
 OPERATION TEMPERATURE:  $-40-+125^{\circ}C$   
 WIRE RANGE: 1.5 mm<sup>2</sup> (16 AWG)  
 CONTACT TYPE: CRIMP CONTACT
- CONTACT NEED TO BE ORDERED SEPARATELY.  
 (ORDER NO.T0080002015-010)

注释:

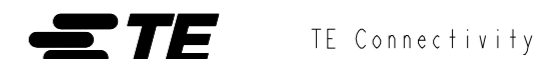
- 技术参数:  
 绝缘材料: PA  
 额定电压: 200V  
 额定电流: 16A  
 绝缘电阻:  $\geq 400M\Omega$   
 额定脉冲电压: 3 KV  
 阻燃等级: UL94V-0  
 插拔次数: 镀银端子: 200次  
 镀金端子: 500次  
 工作温度:  $-40-+125^{\circ}C$   
 接线范围: 1.5 mm<sup>2</sup> (16 AWG)  
 接线类型: 冷压接
- 端子需要单独订购。  
 (订单号 T0080002015-010)

THIS DRAWING IS A CONTROLLED DOCUMENT.

DIMENSIONS:	TOLERANCES UNLESS OTHERWISE SPECIFIED:
mm	
	0 PLC $\pm$
	1 PLC $\pm$
	2 PLC $\pm$
	3 PLC $\pm$
	4 PLC $\pm$
	ANGLES $\pm$
MATERIAL	FINISH
-	-
-	-

DWN	DAVID LI	10MAR2015
CHK	CHRIS WANG	10MAR2015
APVD	XU XIANG	10MAR2015
PRODUCT SPEC	-	-
APPLICATION SPEC	-	-
WEIGHT	-	-
Customer Drawing		

HEE-015-F	T2800152201-000
DESCRIPTION	PART NUMBER



NAME		HEE-015-F	
SIZE	CAGE CODE	DRAWING NO	RESTRICTED TO
A3	-	T2800152201000	-
SCALE		SHEET	REV
1:1		1 OF 1	A