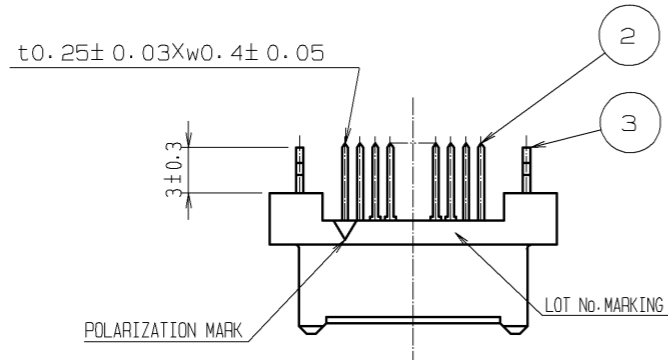
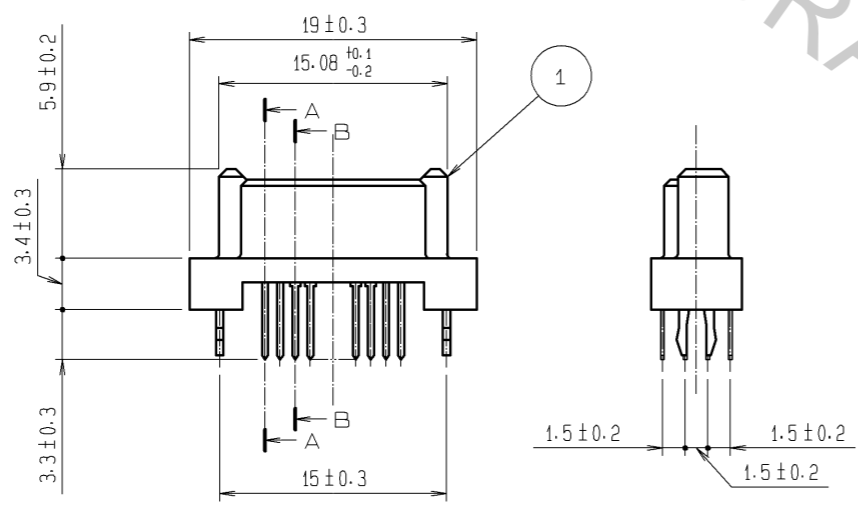
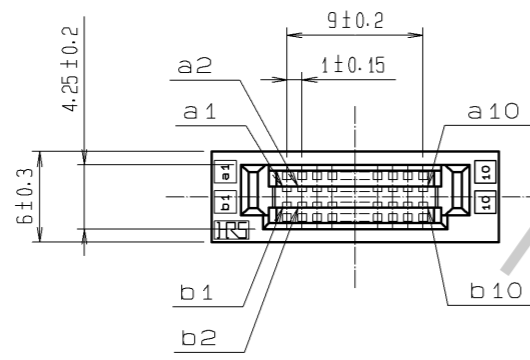
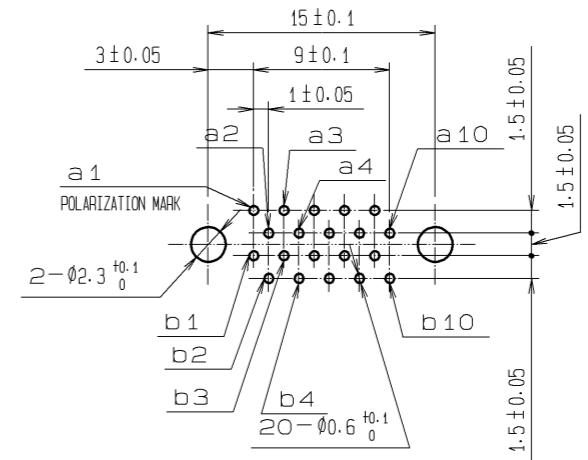


Apr.1.2017 Copyright 2017 HIROSE ELECTRIC CO., LTD. All Rights Reserved.

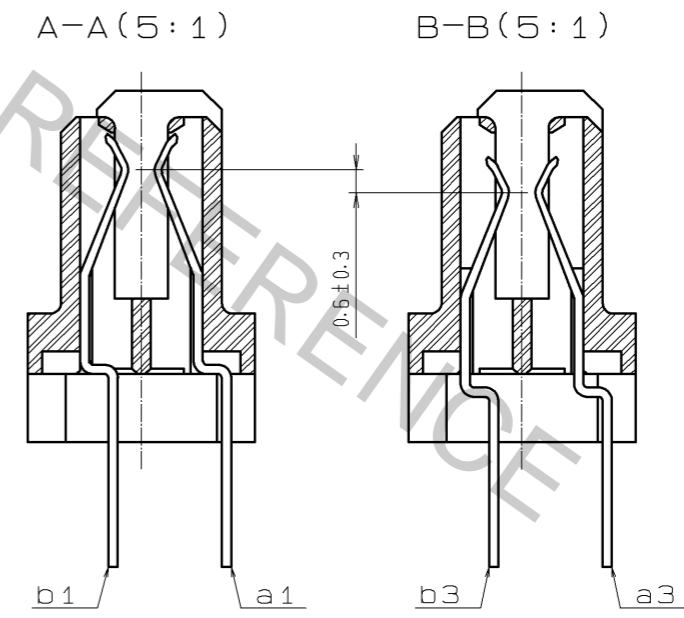


RECOMMENDED PC BOARD HOLE PATTERN (MOUNTING SIDE)  
APPLICABLE BOARD THICKNESS: 1.6



CONTACT SEQUENCE

SEQUENCE	PIN NO.
1	a1, a2, a9, a10 b1, b2, b9, b10
2	a3~a8 b3~b8



3	PHOSPHOR BRONZE	TIN-PLATING	2	PHOSPHOR BRONZE	CONTACT AREA : GOLD 0.1μm min.			
1	POLYAMIDE	BEIGE UL94V-0			LEAD AREA : TIN-PLATING 1.2μm min.			
					UNDER PLATING : NICKEL 1μm min.			
NO.	MATERIAL	FINISH	REMARKS	NO.	MATERIAL	FINISH	REMARKS	
UNITS	mm	SCALE	2 : 1	COUNT	DESCRIPTION OF REVISIONS	DESIGNED	CHECKED	DATE
<b>HRS</b> HIROSE ELECTRIC CO., LTD.		APPROVED : HS. OKAWA	08.07.14	DRAWING NO.	EDC3-151418-21			
		CHECED : HT. YAMAGUCHI	08.07.14	PART NO.	FX5-20S2A-DSAL(71)			
		DESIGNED : SY. KAMIGA	08.07.11	CODE NO.	CL575-0121-9-71			
		DRAWN : HK. SUNADORI	08.06.19					