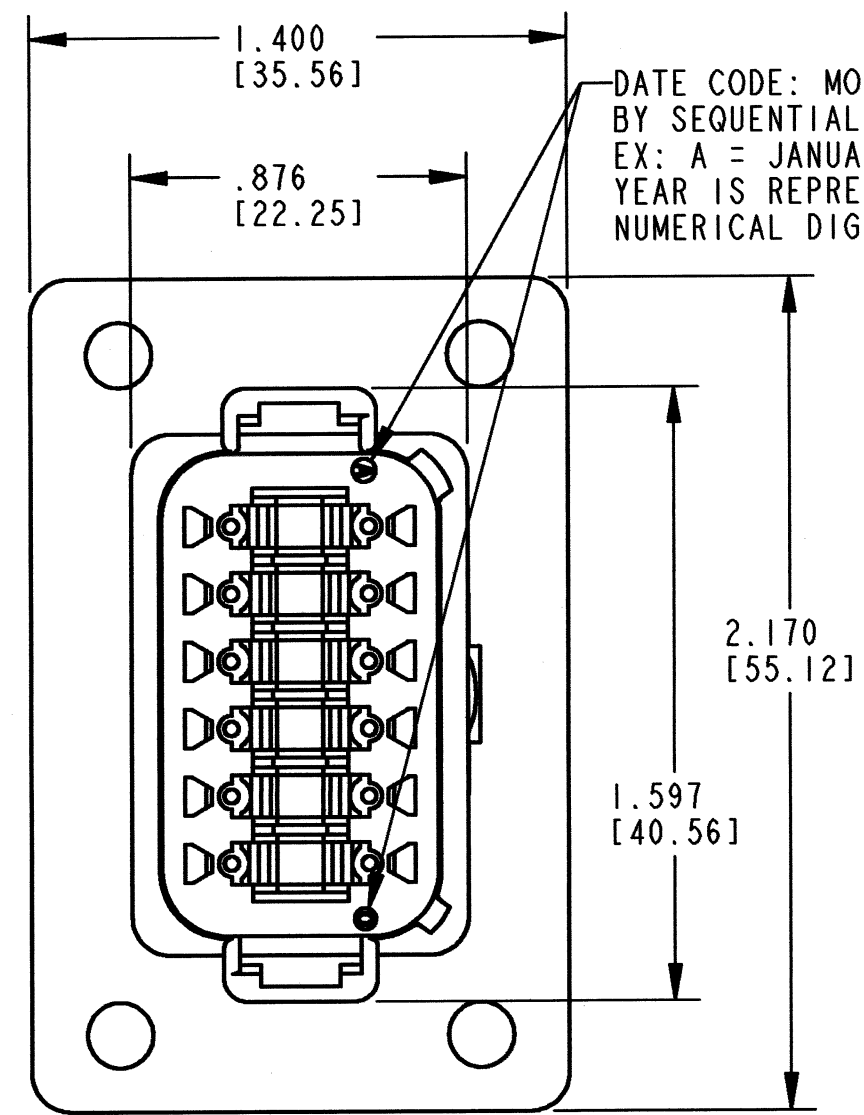
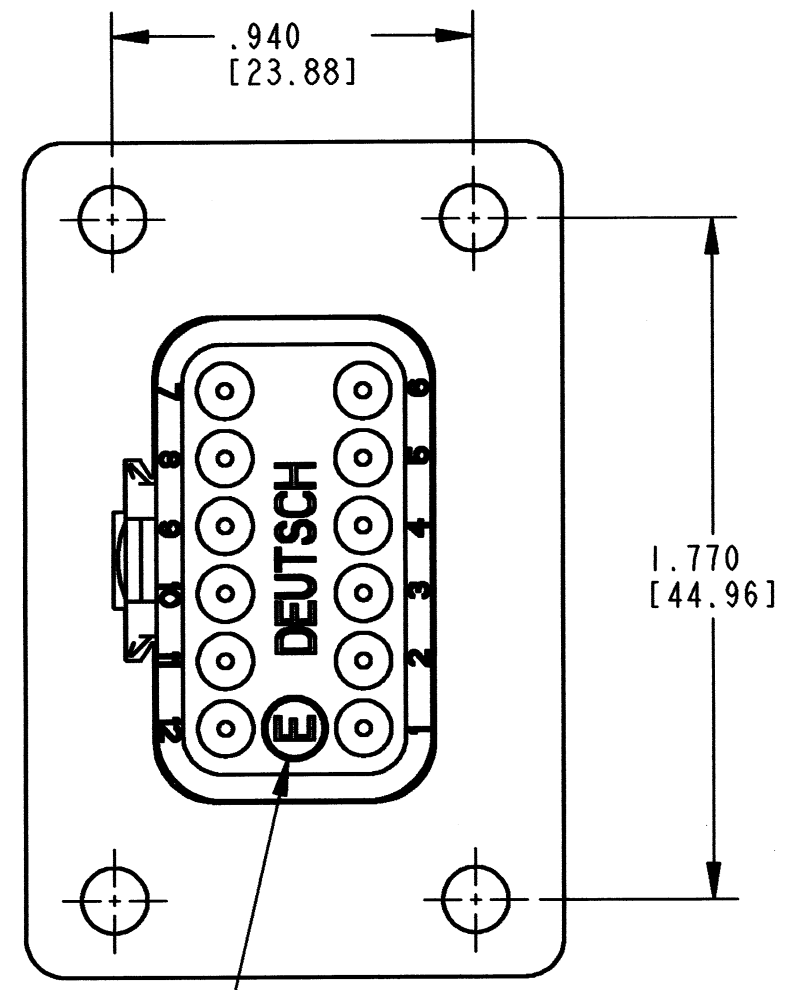
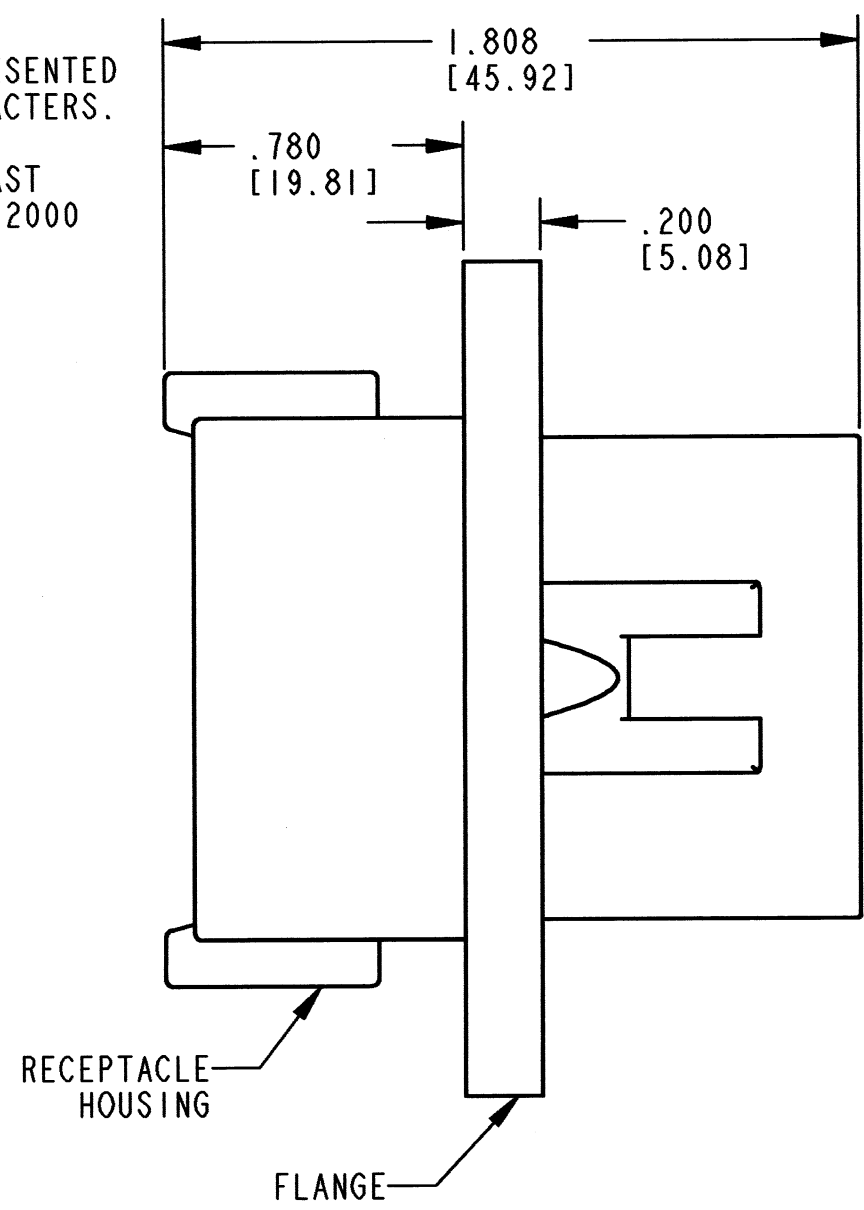


REV  
A DT04-12P\*-CL03

| REVISIONS |                             |         |          |
|-----------|-----------------------------|---------|----------|
| SYM       | DESCRIPTION                 | DATE    | APPROVED |
| NC        | NEW RELEASE PER E.O. P19833 | 5/12/08 | R.D.R.   |
| A         | REVISED PER E.O. P20438     | 5-18-10 | RDR      |
|           |                             |         |          |
|           |                             |         |          |



DATE CODE: MONTH IS REPRESENTED BY SEQUENTIAL ALPHA CHARACTERS. EX: A = JANUARY  
YEAR IS REPRESENTED BY LAST NUMERICAL DIGIT. EX: 0 = 2000



-E- SYMBOL DESIGNATES REDUCED WIRE SEAL

- 5. CONNECTOR MATERIAL IS PLASTIC AND SEAL IS RUBBER. FLANGE COLOR IS GREY. FOR HOUSING COLOR SEE SHEET 2.
- 4. THIS RECEPTACLE MATES WITH DT06-12\*-\*\*\*\* PLUG. (\* = KEY ARR. A, B, C, OR D; \*\*\*\* = ALL MODIFICATIONS) CONSULT FACTORY FOR MODIFICATIONS.

| CONTACT SIZE | MIN. INSUL. O.D. | MAX. INSUL. O.D. | WIRE RANGE [mm <sup>2</sup> ] REF ONLY |
|--------------|------------------|------------------|--|
| 16           | .053 [1.35]      | .120 [3.05]      | 14-20 AWG [2.0-0.5]                    |


3. FOR CONTACTS AND WIRE PERFORMANCE AND APPLICATION CHARACTERISTICS, SEE ENVELOPE DRAWINGS 0425-015-0000 AND 0425-017-0000.

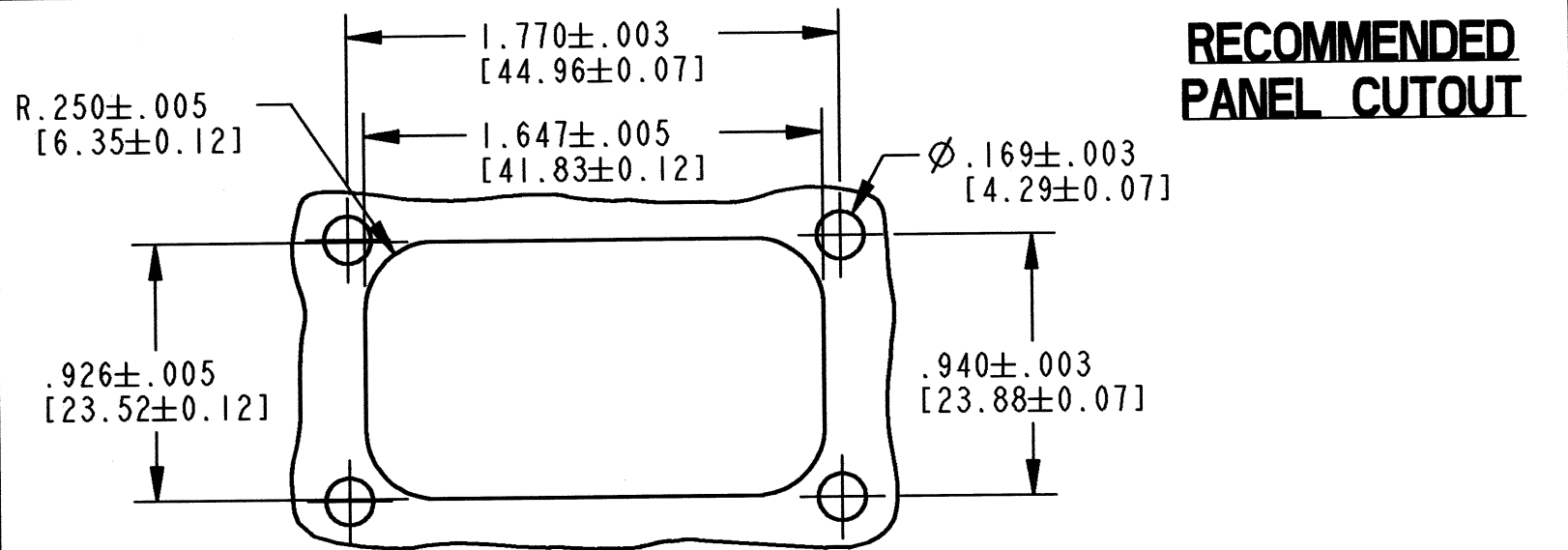
- 2. DIMENSIONS ARE ±.025[0.63] UNLESS OTHERWISE SPECIFIED.
- 1. DIMENSIONS ARE IN INCHES [MILLIMETERS].

NOTES:

| SIGNATURE & DATE |                      |
|------------------|----------------------|
| DR               | R. MESSENGER 4/24/08 |
| CHK              | R. M. 5/14/10        |
| PE               | H. MESSNER 2/22/10   |
| APPD             | S. BEARDS 5.4.10     |
| SCALE            | NONE WT              |

12 WAY RECEPTACLE  
FLANGE  
E SEAL  
DT SERIES  
  
ENVELOPE

|   |                         |
|---|-------------------------|
| EP  | MATL. CODE              |
|  3850 INDUSTRIAL AVE.<br>HEMET, CA 92545<br><b>DEUTSCH</b><br>INDUSTRIAL |                         |
| <b>B</b>  | <b>DT04-12P*-CL03</b>   |
| DWG SIZE  | CODE 11139 SHEET 1 OF 2 |

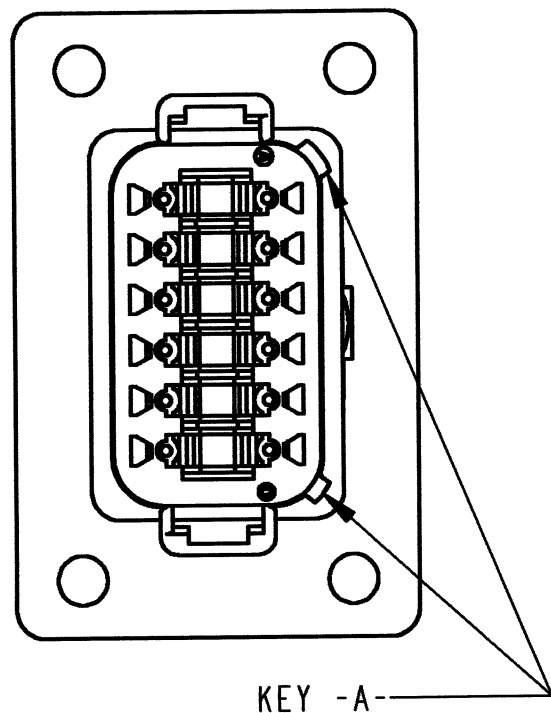


**RECOMMENDED  
PANEL CUTOUT**

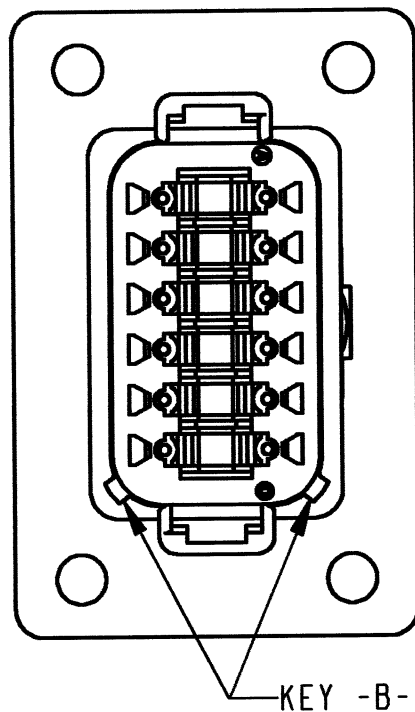
REV  
A DT04-12P\*-CL03

| REVISIONS |             |         |          |
|-----------|-------------|---------|----------|
| SYM       | DESCRIPTION | DATE    | APPROVED |
| A         | SEE SHEET 1 | 5-18-10 | RDR      |
|           |             |         |          |
|           |             |         |          |

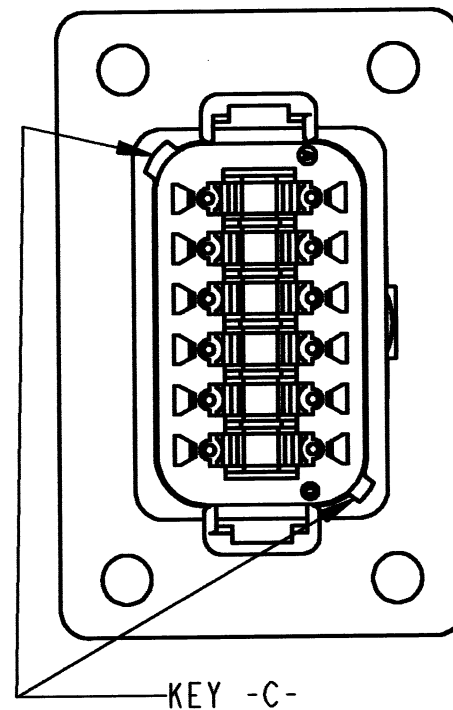
**DT04-12PA-CL03  
KEY -A-  
COLOR: GREY**



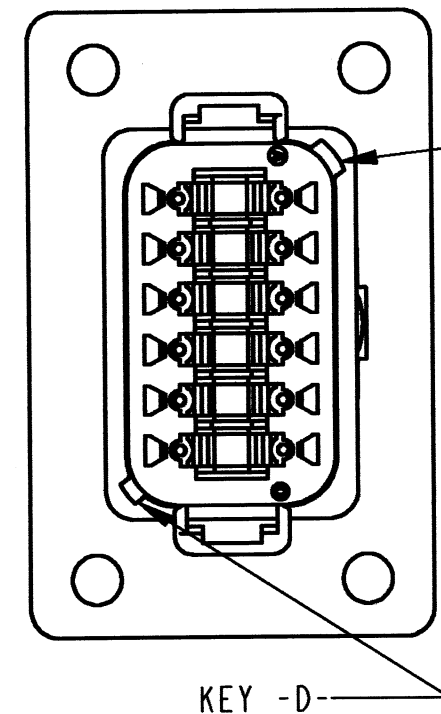
**DT04-12PB-CL03  
KEY -B-  
COLOR: BLACK**



**DT04-12PC-CL03  
KEY -C-  
COLOR: GREEN**



**DT04-12PD-CL03  
KEY -D-  
COLOR: BROWN**



NOTES:

| SIGNATURE & DATE |                      |
|------------------|----------------------|
| DR               | R. MESSENGER 4/24/08 |
| CHK              | R. Messenger 5/14/10 |
| PE               | R. Messenger 2/22/10 |
|                  |                      |
| APPD             | S. Beard 5.4.10      |
| SCALE            | NONE WT              |

**12 WAY RECEPTACLE  
FLANGE  
E SEAL  
DT SERIES**

ENVELOPE

| EP                            | MATL. CODE                              |
|-------------------------------|---|
|                               | 3850 INDUSTRIAL AVE.<br>HEMET, CA 92545 |
| <b>DEUTSCH<br/>INDUSTRIAL</b> |   |
| <b>B</b>                      | <b>DT04-12P*-CL03</b>                   |
| DWG SIZE                      | CODE 11139 SHEET 2 OF 2                 |