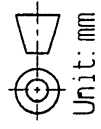
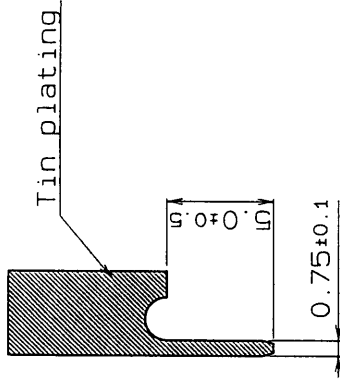
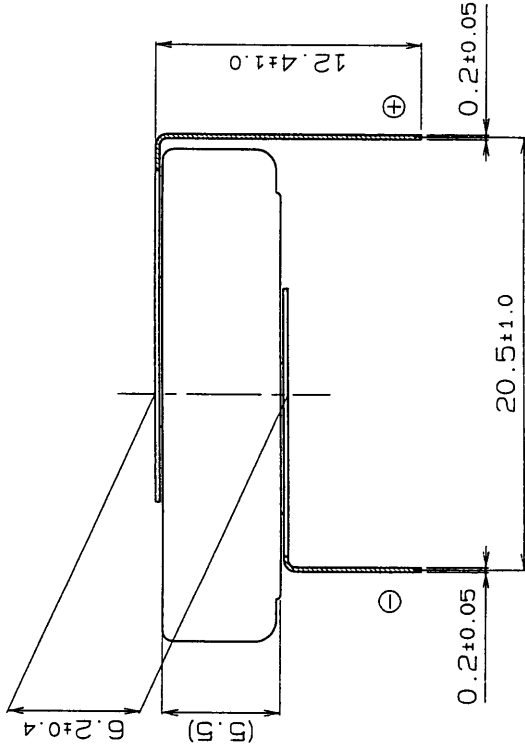
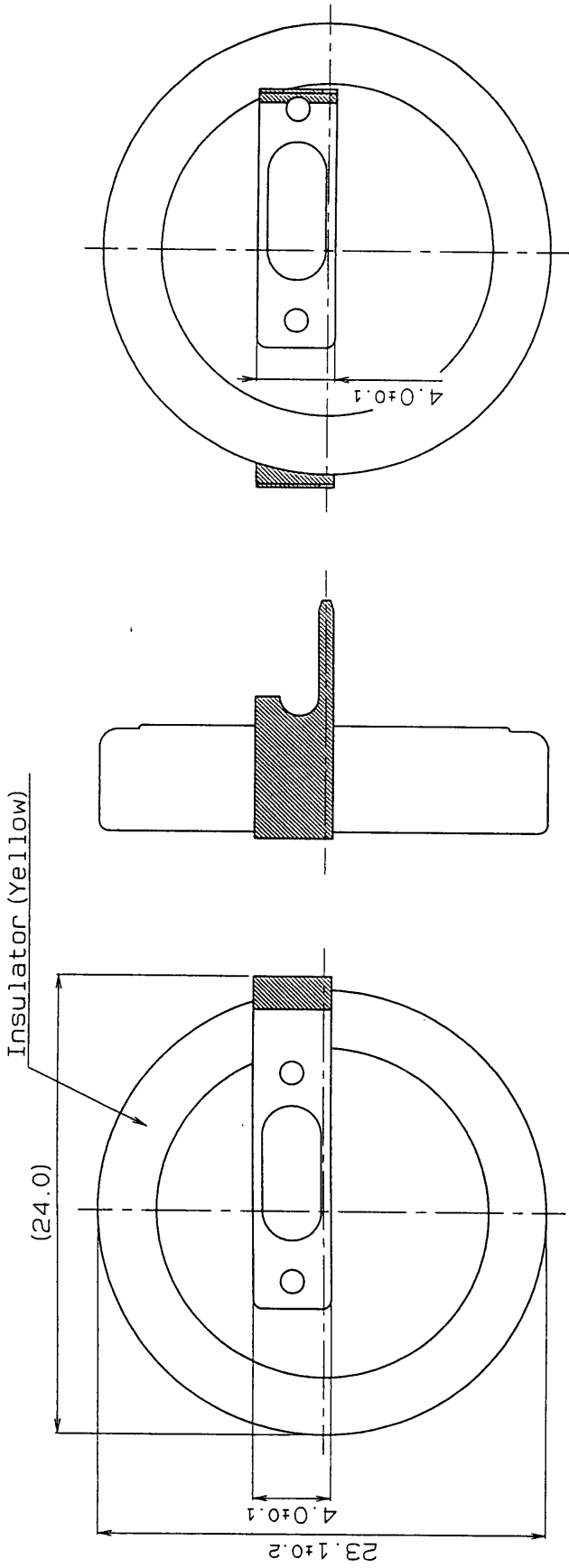


Symbol	Date	Revision	Signed	Checked
△				

Insulator (Yellow)



Note: 1. Tab pulling Strength Over 19.6N
 2. (): Reference dimension and angle
 Unit: mm

UNLESS OTHERWISE SPECIFIED DIMENSIONS ARE IN TOLERANCES ON "Standard Tolerance"	Nominal Size	Standard Tolerance	Product No.
	≤6	±0.2	
	6 < ~ ≤30	±0.5	Name
	30 < ~ ≤120	±0.8	
Scale	Designed	Checked	Approved
4:1	D.Y.	K.Y.	<i>[Signature]</i>
JUN/15/2007		JUN/15/2007	
Product		BR2325-2HAE	
Drawing No.		QGHE2Z	
Rev.		0	