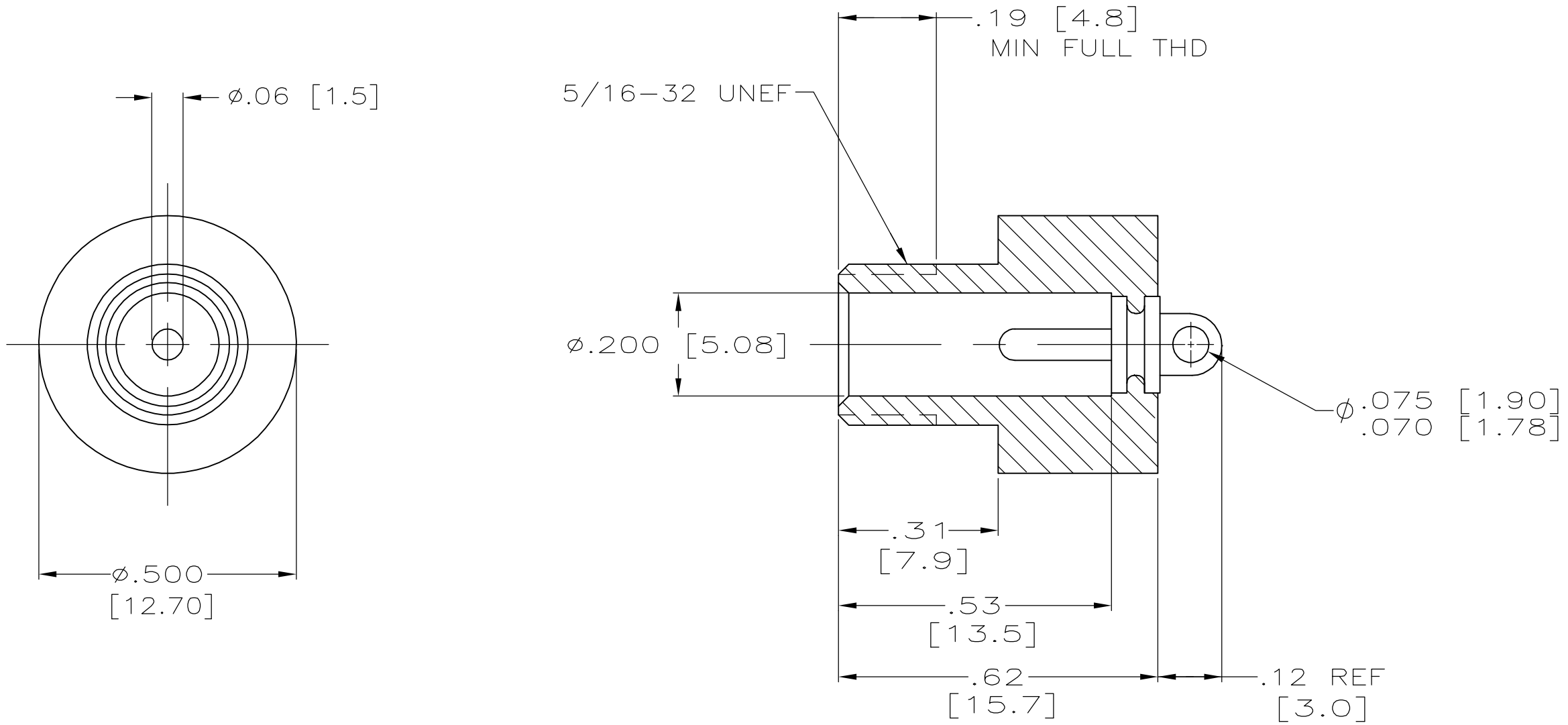


THIS DRAWING IS UNPUBLISHED. RELEASED FOR PUBLICATION - ,N/A .
 © COPYRIGHT N/A BY TYCO ELECTRONICS CORPORATION. ALL RIGHTS RESERVED.

LOC	DIST	REVISIONS			
P	LTR	DESCRIPTION	DATE	DWN	APVD
DF	S0	M	REV PER 0H14-0191-05	05-05	AA DE



TIN	5-830200-1
GOLD	830200-2
TIN-LEAD	830200-1
PIN PLATING	PART NO.

- RECEPTACLE TO MATE WITH AMP LGH-1/2 LEAD ASSY.
- MARKED PER MIL-STD-130.

THIS DRAWING IS A CONTROLLED DOCUMENT.		DWN C.C.THOMAS 23-MAR-94	Tyco Electronics Corporation Harrisburg, Pa 17105-3608				
DIMENSIONS: INCHES		CHK C.SHELLY 14-APR-94					
TOLERANCES UNLESS OTHERWISE SPECIFIED:		APVD C.SHELLY 14-APR-94	NAME RECEPTACLE LGH-1/2				
0 PLC ± - 1 PLC ± - 2 PLC ± .02[0.5] 3 PLC ± .005[0.13] 4 PLC ± - ANGLES ± -		PRODUCT SPEC -	APPLICATION SPEC -				
MATERIAL EPOXY MLDG CMPD		FINISH -	WEIGHT -	SIZE A3	CAGE CODE 00779	DRAWING NO C-830200	RESTRICTED TO -
CUSTOMER DRAWING			SCALE 4:1	SHEET 1 OF 1	REV M		