

ROHM
SEMICONDUCTOR



DESIGN KIT

Wireless Power Medium Power Solution



CONTENT:

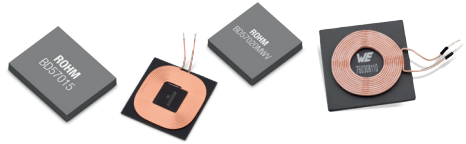
- Transmitter Module
- Receiver Module
- LED Load Module
- Power Adapter

Order Code 760 308 MP
Version 1.0

DESIGN KIT

Wireless Power

Medium Power Solution

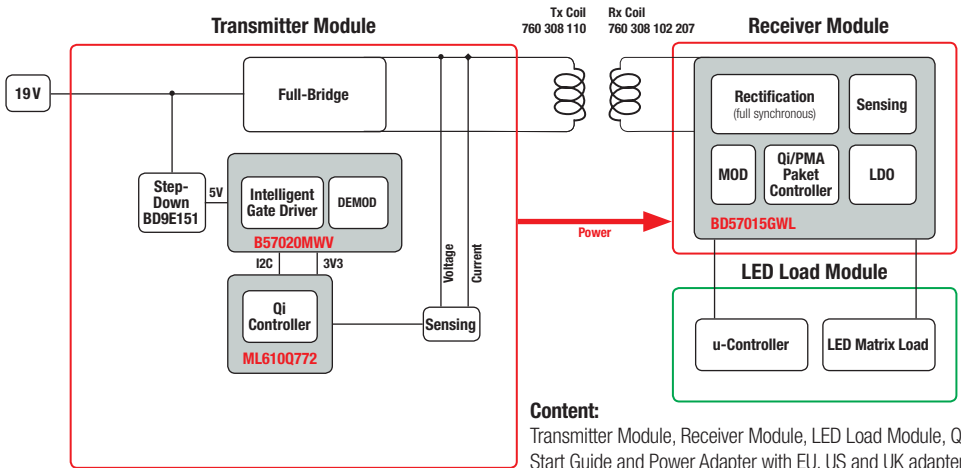


Added Values

- Plug & Play Wireless Power Design Kit, Medium Power Solution
- Qi standard version 1.2 compliant with extended power profile
- Strategic partnership ROHM Semiconductor with Würth Elektronik eiSos
- Based on the transmitter type MP-A7
- Excellent performance due to use of litz wire coil
- Complete and efficient solution based on Rx and Tx chipset
- Flexible and modular approach for fast integration of wireless power in your product design

Applications

- Smartphones, tablets
- Portable devices used in a clean area, where connectors pose a risk of polluting e.g. medical facilities and (industrial) clean rooms
- Devices with a large number of mating cycles to avoid connector damage
- Headsets
- Portable media players



Important information: This Würth Elektronik and ROHM Semiconductor design kit contains reference components. These components correspond with the current product development status on the day of supply. Exchange of the reference components to components with up-to-date product development status is not carried out automatically. No liability is taken for the use of these reference components. Therefore, please request new samples prior to releases for series production and product release.

Please check datasheets on www.we-online.com and www.rohm.com for specifications.

Würth Elektronik eiSos GmbH & Co. KG, EMC & Inductive Solutions; ROHM Semiconductor GmbH. © 2016

More information on

www.we-online.com/wirelesspower

www.rohm.com/web/eu/wirelesspowerkit