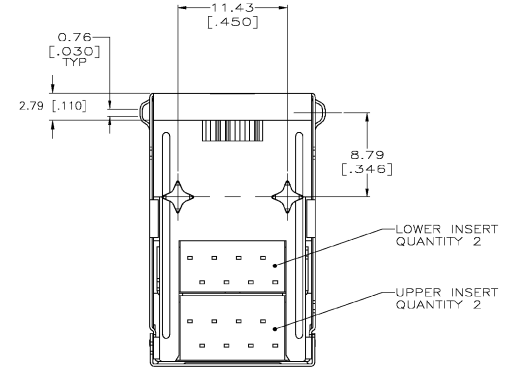
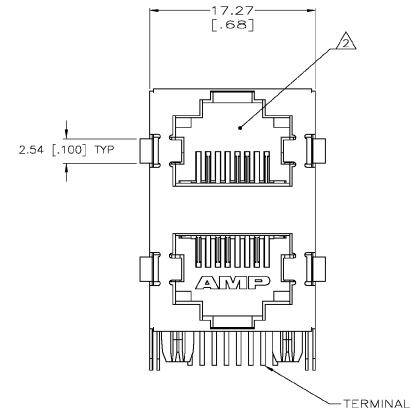
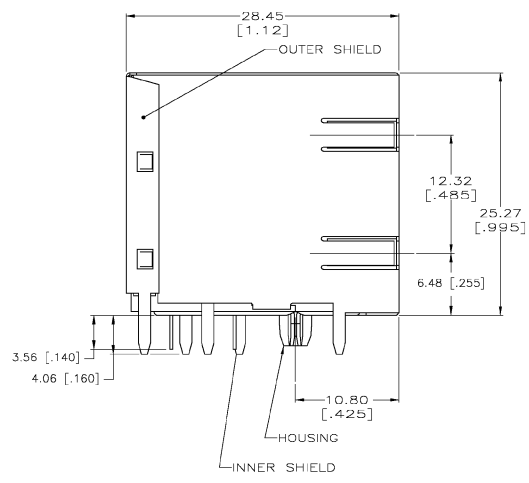
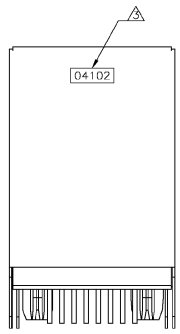
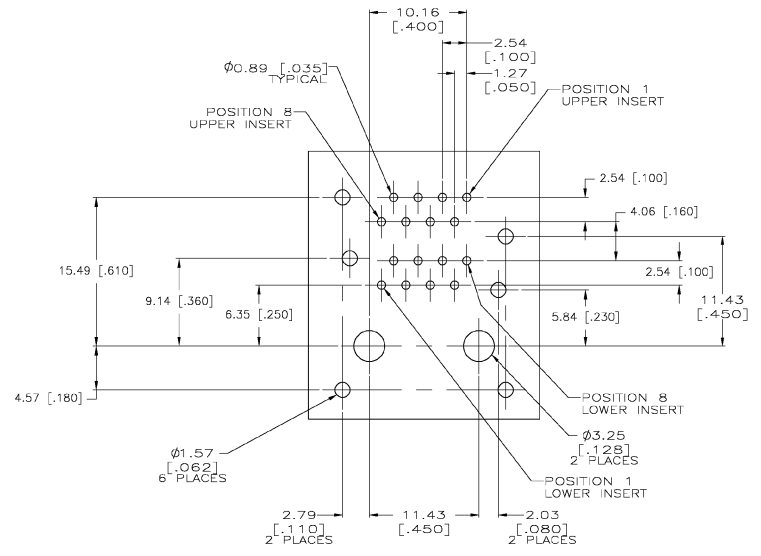


THIS DRAWING IS UNPUBLISHED. RELEASED FOR PUBLICATION BY THE ELECTRONICS CORPORATION. ALL RIGHTS RESERVED.

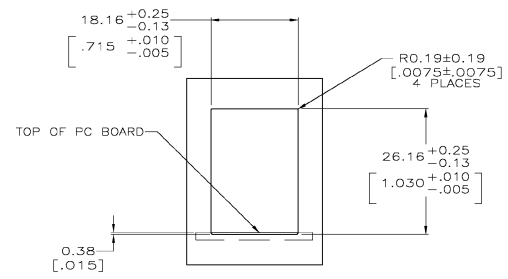
REV	DATE	DESCRIPTION	BY	CHK	APP
AA	22				
G		REV PER EC 0511-0105-03			



- △ MATERIAL: HOUSING - PCT POLYESTER, BLACK, UL94V-0. OVERMOLDED TERMINAL ARRAY - PBT, BROWN. TERMINALS - 0.33 [0.013] THICK PHOS BRONZE PLATED WITH 1.27μm [0.00050] MIN THICK HARD GOLD IN LOCALIZED AREA AND 3.81μm [0.00150] MIN THICK TIN-LEAD IN SOLDER AREA OVER 1.27μm [0.00050] MIN THICK NICKEL UNDERPLATE. SHIELD - 0.25 [0.010] THICK COPPER ALLOY PLATED WITH 2.03μm [0.00080] MIN TIN-LEAD OVER 2.54μm [0.00100] MIN COPPER.
- △ JACK CAVITY CONFORMS TO FCC RULES AND REGULATIONS, PART 68 SUBPART F.
- △ DATE CODE LOCATED ON REAR OF PART APPROXIMATELY AS SHOWN: FIRST 2 DIGITS ARE LAST 2 DIGITS OF YEAR, SECOND 2 DIGITS ARE MANUFACTURING WORK WEEK, LAST DIGIT IS DAY OF WEEK, WITH SUNDAY = 1.



PC BOARD LAYOUT VIEWED FROM COMPONENT SIDE



SUGGESTED PANEL CUTOUT DIMENSIONS SCALE 2:1

569381-1  
PART NUMBER

THIS DRAWING IS A CONTROLLED DOCUMENT.		DATE: 5-22-90	TYPE: Type Electronics Corporation
DRAWN BY: SPRINKLE		DATE: 4-26-90	PART: 569381-1
CHECKED BY: WHITT		DATE: 7-3-90	REV: 1
DESIGNED BY: WILSON		DATE: 7-3-90	REV: 1
PRODUCT SPEC: 108-1163-2		DATE: 7-3-90	REV: 1
APPROVAL SPEC: 114-2048		DATE: 7-3-90	REV: 1
MATERIAL: 114-2048		DATE: 7-3-90	REV: 1
FINISH: 114-2048		DATE: 7-3-90	REV: 1
MATERIAL: 114-2048		DATE: 7-3-90	REV: 1
FINISH: 114-2048		DATE: 7-3-90	REV: 1
MATERIAL: 114-2048		DATE: 7-3-90	REV: 1
FINISH: 114-2048		DATE: 7-3-90	REV: 1