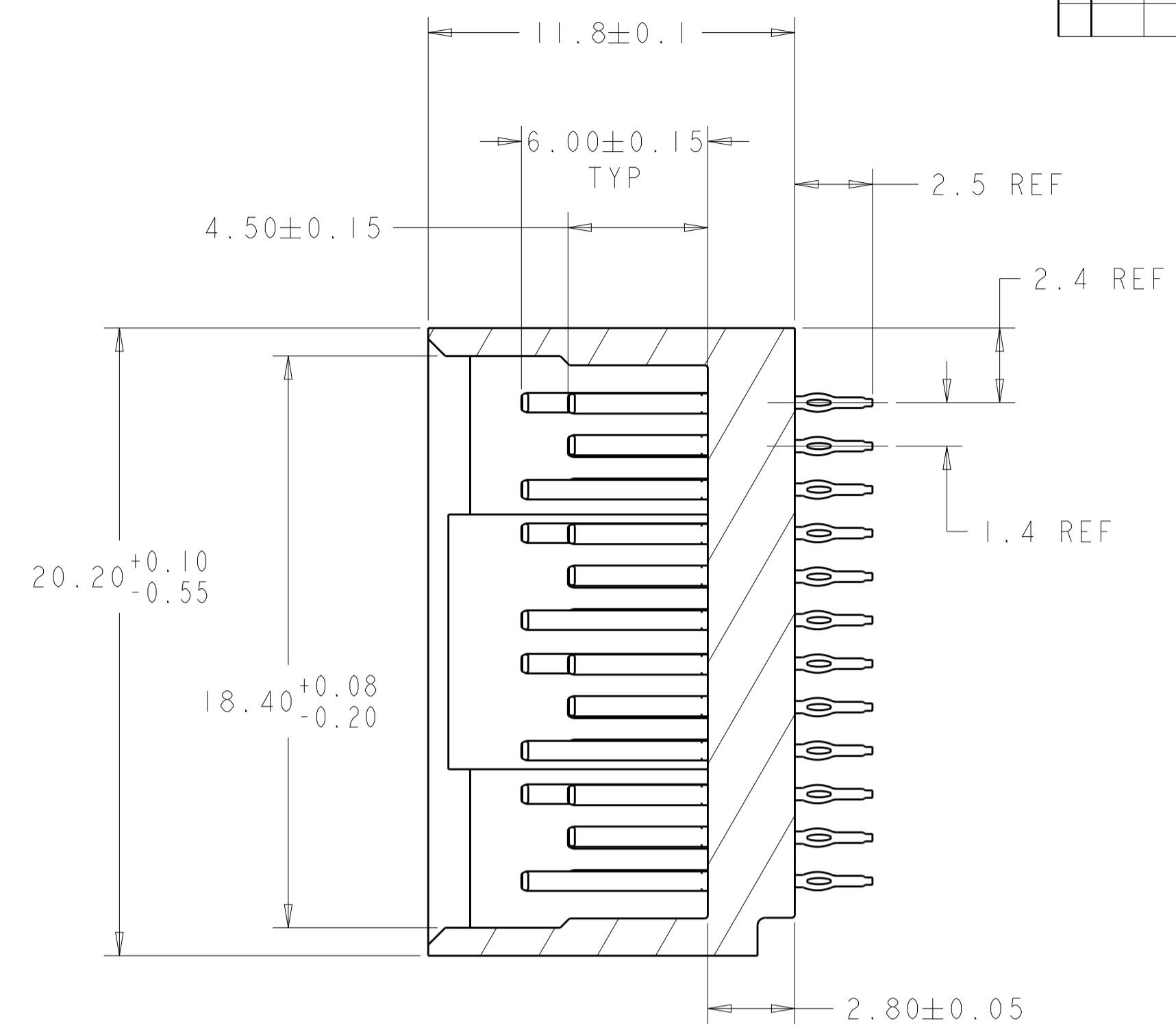
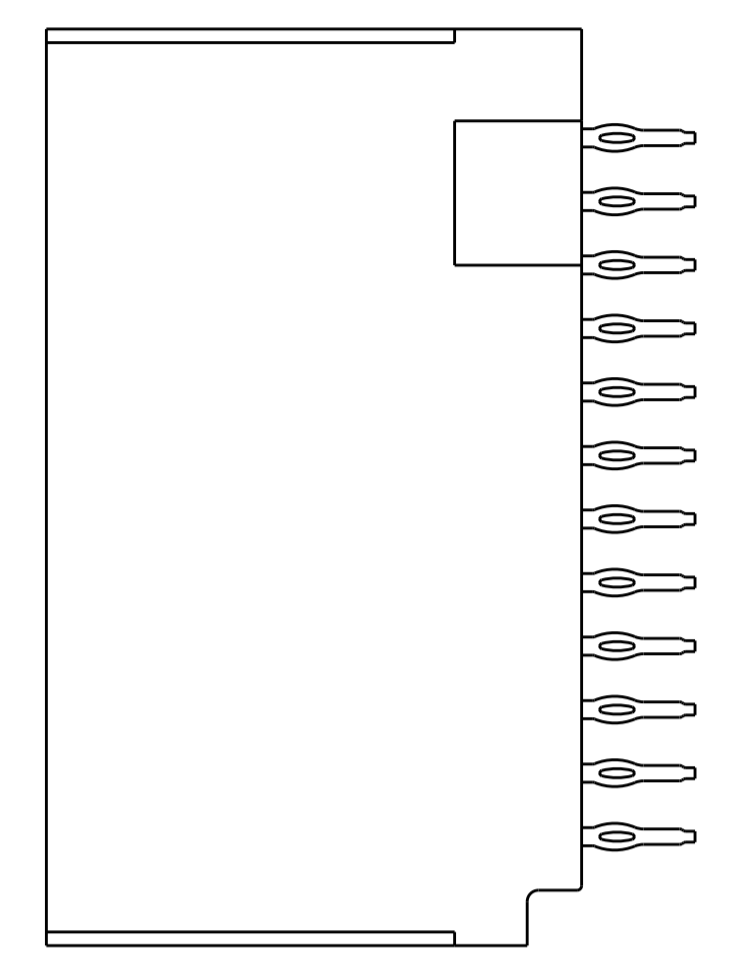
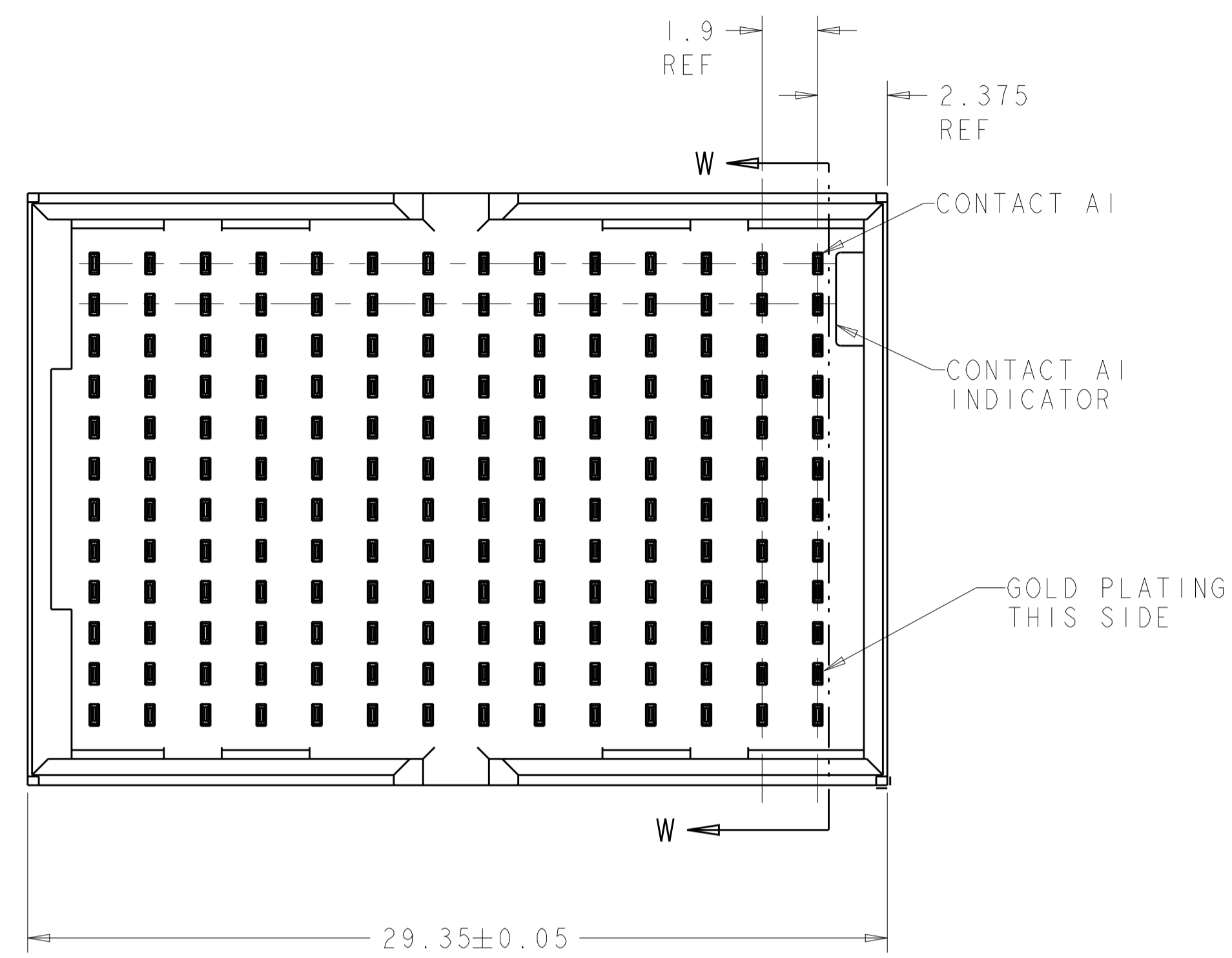
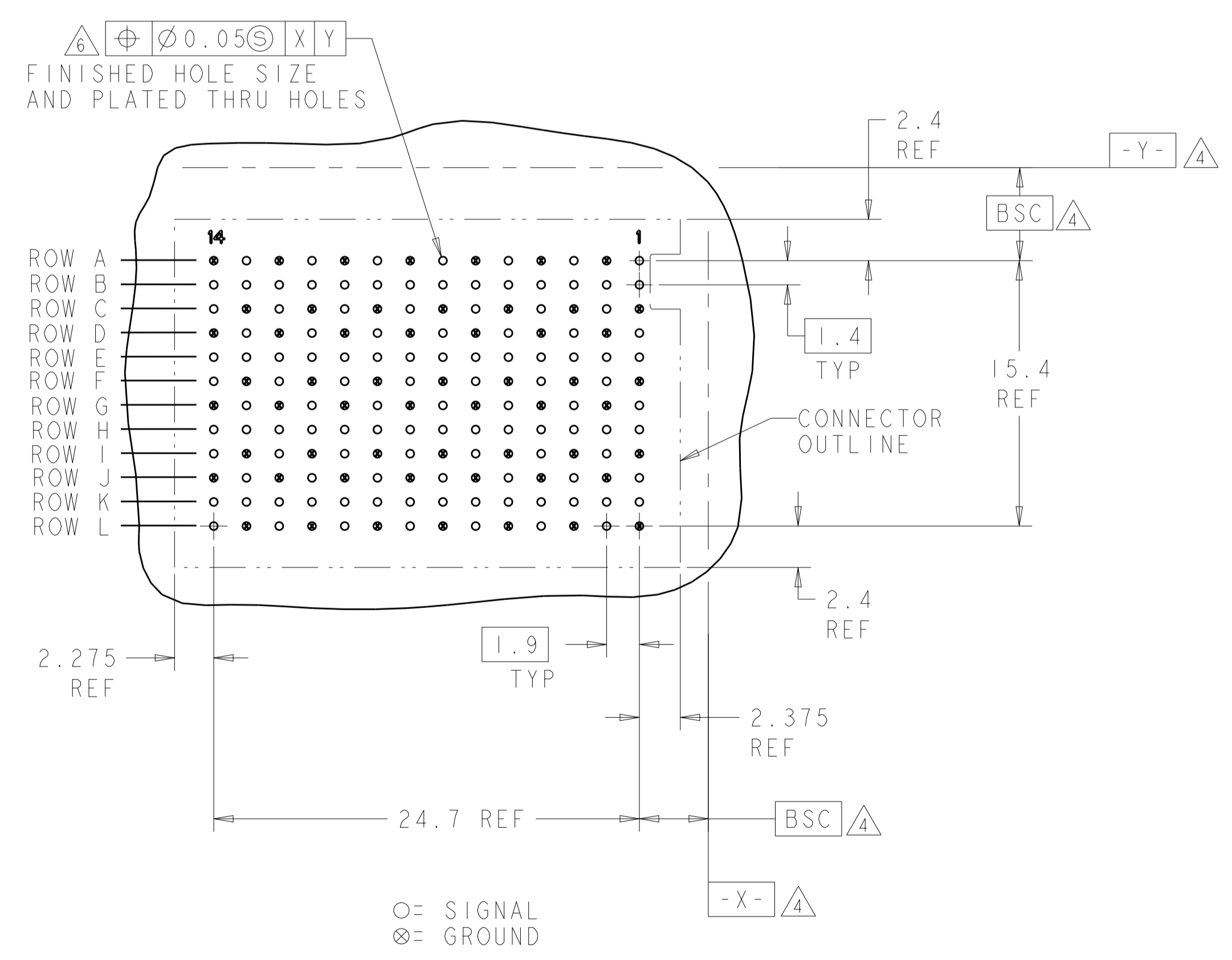
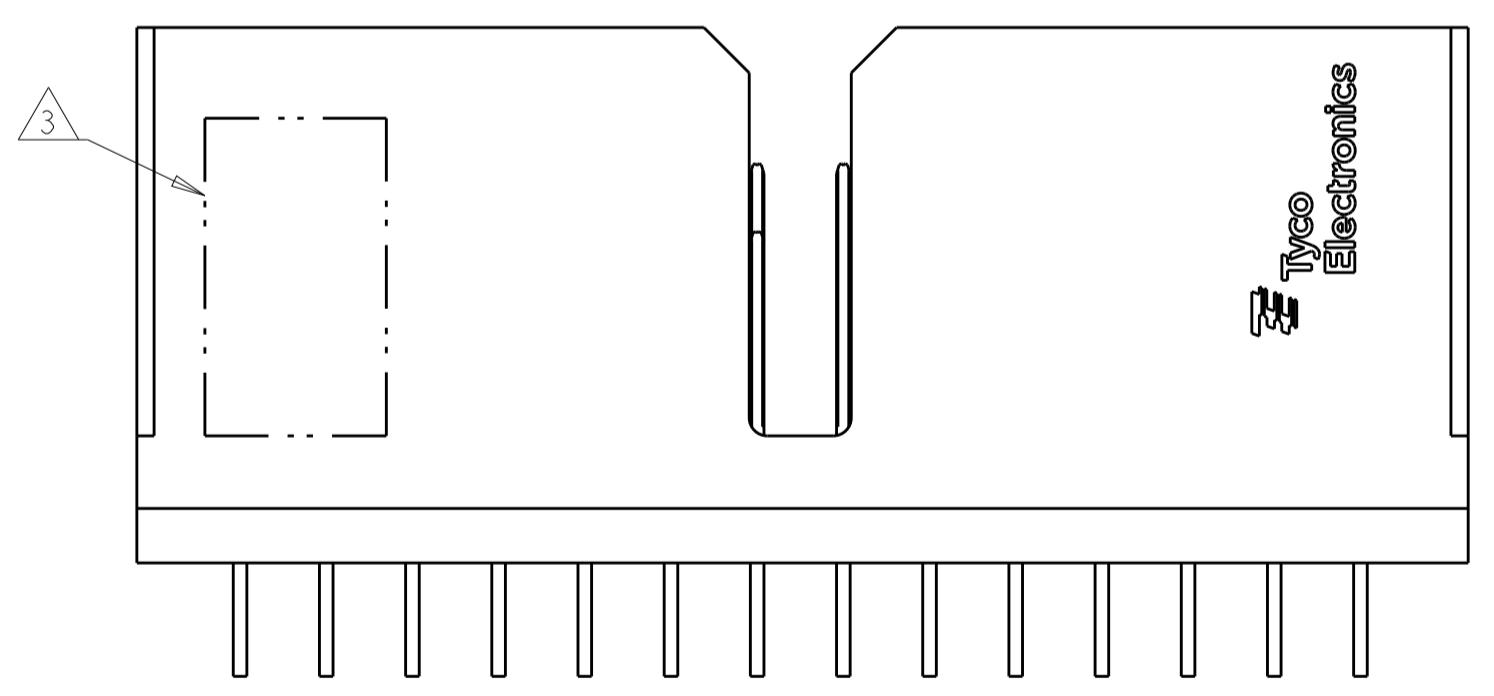


LOC	DIST	REVISIONS			
P	LTN	DESCRIPTION	DATE	DWN	APVD
E		REVISED PER ECO-13-010626	31JUL2013	KH	RP



SECTION W-W

- 1 MATERIAL:
 CONTACT - PHOS BRONZE
 HOUSING - LCP, UL 94V-0, COLOR - BLACK
- 2 FINISH:
 CONTACT AREA FINISH CONFORMS TO THE REQUIREMENTS OF TE PRODUCT SPECIFICATION 108-2303; BASED ON TELCORDIA GR-1217-CORE FOR SYSTEM QUALITY LEVEL III APPLICATIONS IN CONTROLLED ENVIRONMENTS (CENTRAL OFFICE). COMPLIANT PIN AREA- 0.5µm MIN MATTE TIN OVER 1.27µm MIN NICKEL.
- 3 CONNECTOR MARKED WITH PART NUMBER, DATE CODE AND STANDARD IN APPROXIMATE AREA SHOWN
- 4 DATUMS AND BASIC DIMENSIONS ESTABLISHED BY CUSTOMER.
- 5. CONTACT AREA LUBRICATED WITH BELLCORE APPROVED LUBRICANT. TECHNICAL REFERENCE GR-1217-CORE, ISSUE 1, NOVEMBER 1995.
- 6 REFERENCE APPLICATION SPEC 114-13202 FOR RECOMMENDED PLATED THRU HOLE DIAMETER AND PLATING THICKNESSES.



RECOMMENDED PB BOARD LAYOUT BACKPLANE COMPONENT SIDE SHOWN SCALE 4:1

1934290-1
 PART NUMBER

THIS DRAWING IS A CONTROLLED DOCUMENT.		DWN B MCMASTER 18MAY07	TE Connectivity NAME HEADER ASSEMBLY, DOUBLE WALL, 4 PAIR 14 COLUMN TinMan
DIMENSIONS:		CHK W DAVIS 18MAY07	
mm	TOLERANCES UNLESS OTHERWISE SPECIFIED:	APVD W DAVIS 18MAY07	PRODUCT SPEC
0 PLC	±	APPLICATION SPEC	SIZE
1 PLC	±	WEIGHT	A1
2 PLC	±	CUSTOMER DRAWING	SCALE 6:1
3 PLC	±		SHEET 1 OF 1
4 PLC	±		REV E
ANGLES	±		