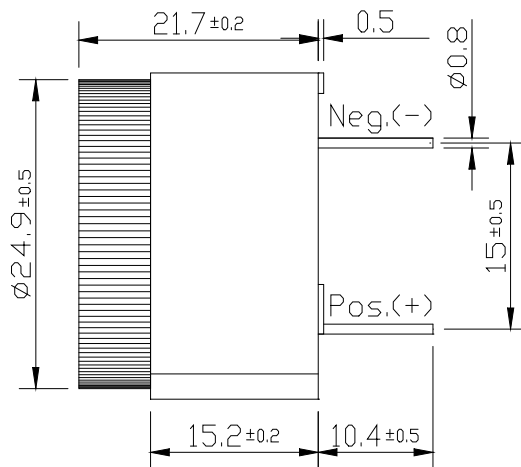
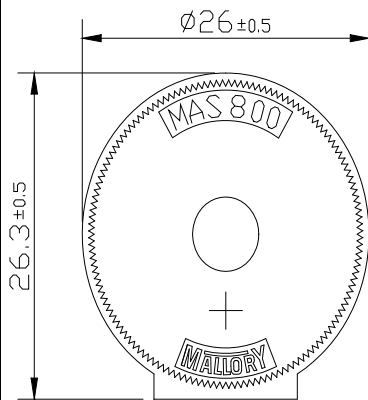


OBSOLETE- Use P/N MAS800Q

Resonant Frequency (Hz)	2700 ± 500
Operating Voltage (Vdc)	9 ~ 12
Rated Voltage (Vdc)	12
Current Consumption Max. (mA)	50 at Rated Voltage
Sound Pressure Level Min. (dB)	103 @ 10cm @12Vdc 96 at 2ft at Rated Voltage
Tone/Pulse Rate	Constant
Operating Temperature (°C)	-20 ~ +90
Storage Temperature (°C)	-30 ~ +100
Housing	ABS 777 UL94HB plastic resin (Color: Gray)
Leading Pin	Tin Plated Brass
Weight (Grams)	10
Options	For other options contact factory

Dimensions: (units: mm)



The tolerance for terminal alignment will be ±1.0mm

