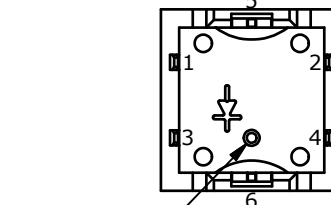
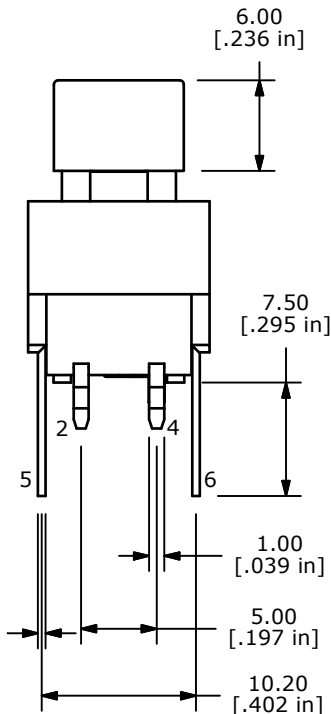
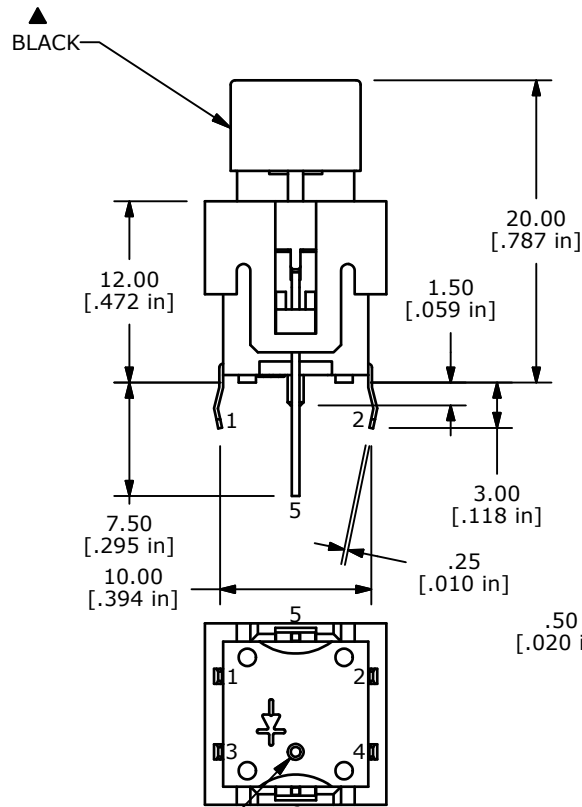
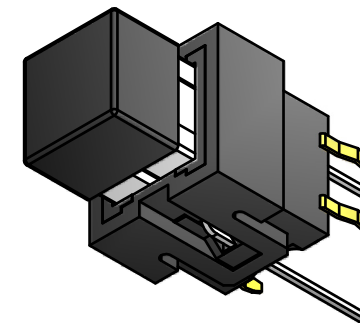
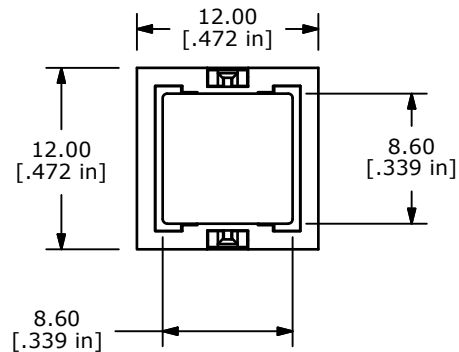


NOTES:

1. ALL DIMENSIONS IN MM [INCH]
2. GENERAL TOLERANCE: X.X=±0.4
X.XX=±0.25
3. RATING: 20VDC @ 1mA
4. CONTACT RESISTANCE: 200Ω MAX.
5. INSULATION RESISTANCE: 100MΩ MIN. @ 100VDC.
6. OPERATING FORCE: 125± 35gf
7. TRAVEL: 1.3 +/- 0.3 mm
8. OPERATING TEMPERATURE: -20°C TO 70°C
9. OPERATING LIFE: 300,000 CYCLES
10. LED: GREEN
11. ▲ DENOTES CRITICAL PARAMETERS
12. ▲ 2002/95/EC (ROHS) COMPLIANT
13. CONTACT MATR'L: GOLD FLASH OVER NICKEL



LED SPECS		UNITS	GREEN	
FORWARD CURRENT		mA	20	
FORWARD VOLTAGE @20mA		V	3.5 TYP.	4.0 MAX.
LUMINOUS INTENSITY @ 20mA		mcd	550 MIN.	1100 TYP.



REV	PCR NO	DESCRIPTION	DATE	BY
B	20507	Added Note For Gold Flash Over Nickel	3/2/2012	MM
A	20208	RELEASE FOR PRODUCTION	10/17/11	BGL

TITLE LP15S1BLKGRNN				
SCALE	DATE	DR	DWG	REV
2 : 1	10/17/2011	BGL	B270006	B

THE INFORMATION CONTAINED IN THIS DOCUMENT IS PROPRIETARY TO E-SWITCH AND IS NOT TO BE COPIED OR TRANSFERRED