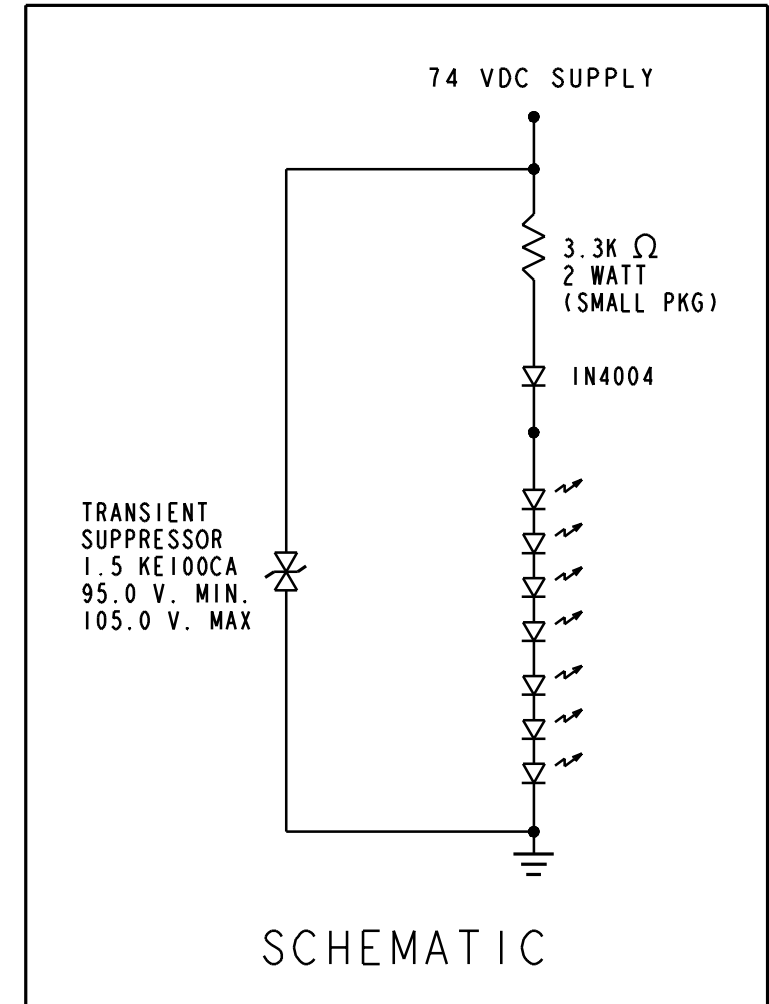
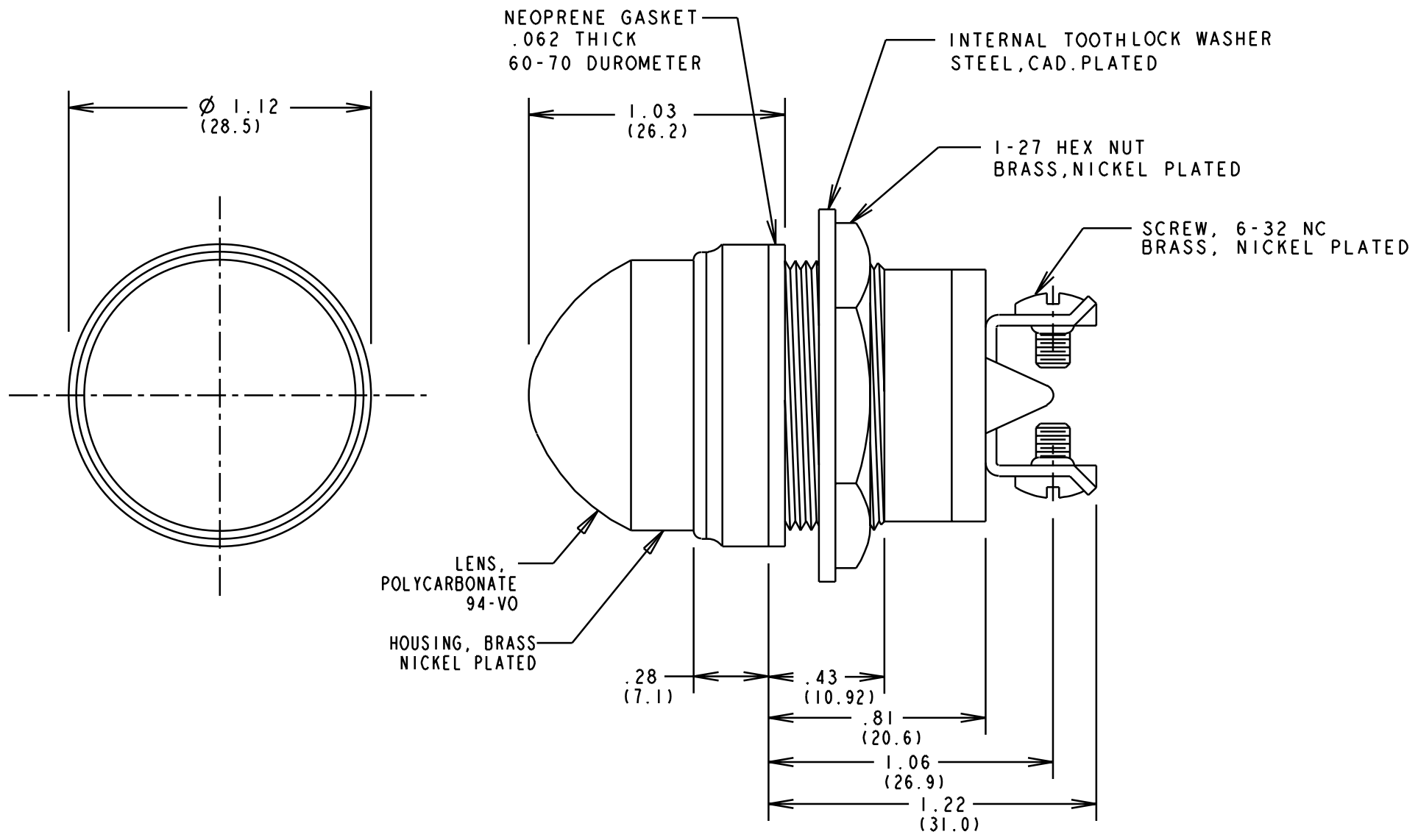


REV.	ECN NO.	REVISIONS	DRN.	CKD.	APP.	DATE
A	—	NEW RELEASE	DC			

PART NUMBER	LED COLOR	NOMINAL RATING	INTENSITY (fL) @ TYP VOLTAGE	CURRENT (mA)
556-3506-815	RED	74 VDC	1300	20
556-3706-823	AMBER	74 VDC	1300	20



- NOTES:
1. PRODUCT IS WATER SEALED FROM FRONT OF PANEL.
 2. MAXIMUM MOUNTING TORQUE: 40 IN-LB
 3. FRONT MOUNTING IN ONE INCH CLEARANCE HOLE.
 4. DIALIGHT PART NO. 556-3506-815, 556-3706-823.

THIS DRAWING AND THE CONTENTS HEREIN ARE CONFIDENTIAL AND THE SOLE PROPERTY OF DIALIGHT. REPRODUCTION OF THIS DRAWING OR CONSTRUCTION OF ANY PARTS WITHIN THIS DRAWING ARE FORBIDDEN WITHOUT THE WRITTEN CONSENT OF DIALIGHT.

SCALE 2:1 ALL DIM'S IN: INCHES (MM)	DRAWING NUMBER C-16638	REV A
TOLERANCES: UNLESS OTHERWISE SPECIFIED FRACTIONS: $\pm 1/64$ DECIMALS (.XX): $\pm .020$ DECIMALS (.XXX): $\pm .015$	TITLE LED PMI FOR 1" MOUNTING HOLE WATERTIGHT, 74VDC	
ANGLES: $\pm 3^\circ$ FINISH:	MATERIAL	
FSCM 83330	Dialight	1501 ROUTE 34 SOUTH FARMINGDALE, NJ 07727
	SHEET OF	FAMILY TABLE: