

# SPECIFICATIONS

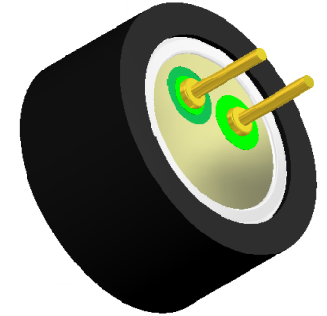
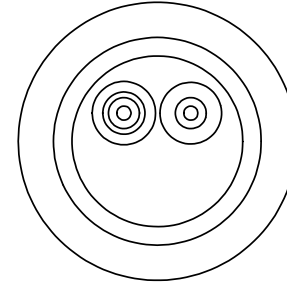
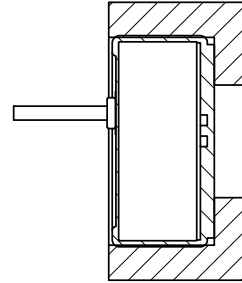
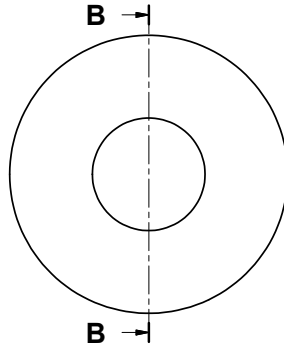
| PARAMETERS                   | VALUES  | UNIT |
|------------------------------|---------|------|
| DIRECTIVITY                  | OMINI   | -    |
| SENSITIVITY                  | -44 ± 3 | dB   |
| STANDARD OPERATING VOLTAGE   | 2       | Vdc  |
| MAX OPERATING VOLTAGE        | 10      | Vdc  |
| CURRENT CONSUMPTION (MAX)    | 0.5     | mA   |
| IMPEDANCE                    | 2.2     | KOhm |
| SIGNAL TO NOISE RATIO (MIN.) | 60      | dB   |
| TERMINAL                     | PIN     | -    |
| INTERNAL CAPACITOR           | N/A     | pF   |

THIS DOCUMENT CONTAINS DATA PROPRIETARY TO PROJECTS UNLIMITED, INC. ANY USE OR REPRODUCTION, IN ANY FORM, WITHOUT PRIOR WRITTEN PERMISSION OF PROJECTS UNLIMITED, INC. IS PROHIBITED.  
©2003, Projects Unlimited Inc.

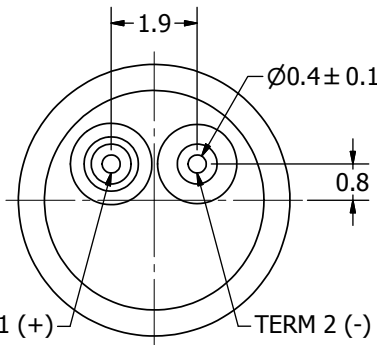
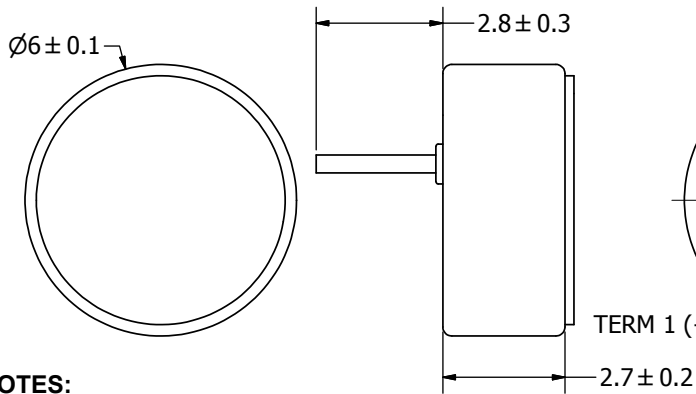
# REVISION HISTORY

| LTR | DESCRIPTION                              | DATE       | APPROVED |
|-----|--|------------|----------|
| -   | RELEASED FROM ENGINEERING                | 9/8/2006   |          |
| A   | REVISED IP RATING                        | 7/2/2008   | B.R.     |
| B   | REVISED TO INVENTOR 3-D DRAWING TEMPLATE | 10/25/2010 | B.R.     |

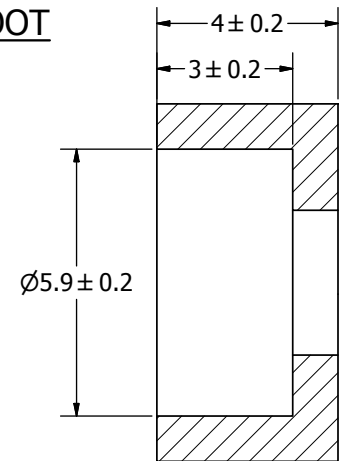
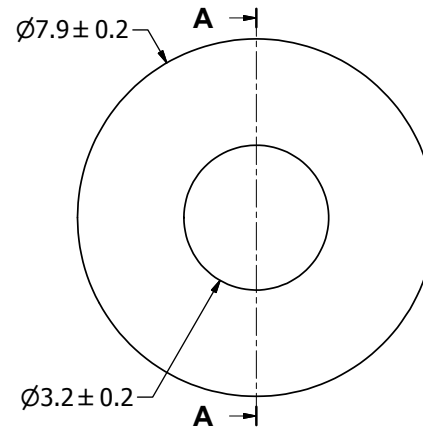
# ASSEMBLY



# MICROPHONE

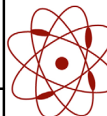


# BOOT



### NOTES:

1. ALL DIMENSIONS ARE IN MILLIMETERS.
2. SPECIFICATIONS SUBJECT TO CHANGE OR WITHDRAWL WITHOUT NOTICE.
3. THIS PART IS RoHS 2002/95/EC COMPLIANT.
4. PART IS IP57 RATED.
5. ASSEMBLY IS WASHABLE WITH BOOT IN PLACE.

| UNLESS OTHERWISE SPECIFIED:<br>DIMENSIONS ARE IN MILLIMETERS,<br>TOLERANCES ARE ±0.5 AND ANGLES ARE ±3°. | SIZE<br><b>A3</b> | Designed by  | Date     | Checked by | Date                               | Approved by | Date     | Drawn Date |
|--|-------------------|--|----------|------------|------------------------------------|-------------|----------|------------|
|  |                   | J.D.   | 9/8/2006 | B.R.       | 9/8/2006                           | R.W.        | 9/8/2006 | 10/25/2010 |
| POW-2744P-B-R.idw  |                   |  <b>pui audio</b><br>a projects unlimited company |          |            | <b>POW-2744P-B-R</b><br>Microphone |             | Edition  | Sheet      |
|  |                   |  |          |            |                                    |             | -        | 1 / 1      |