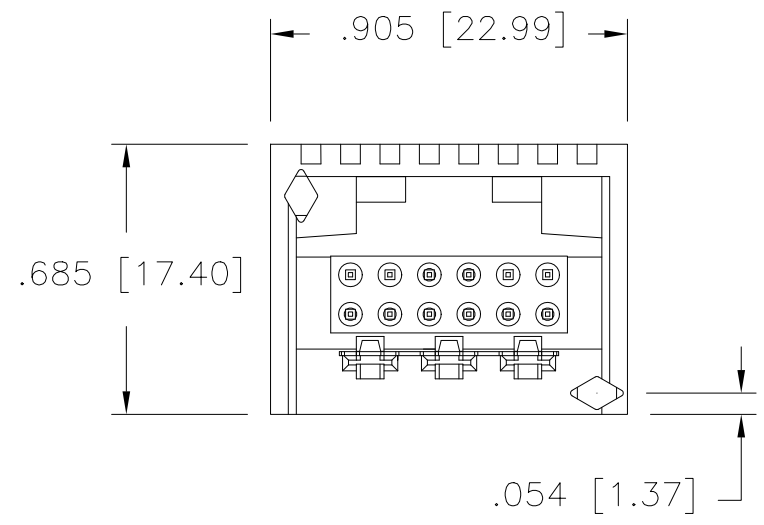
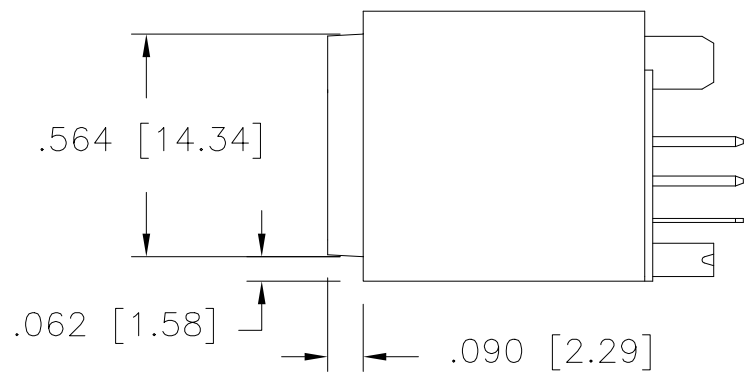
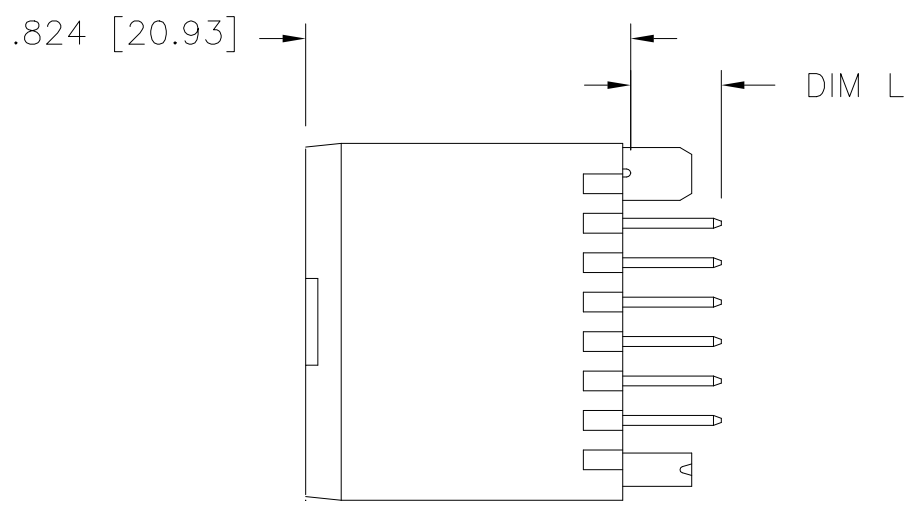


PRODUCT NUMBER  
SEE TABLE



mat'l. code		surface ISO 1302 ✓		tolerance ISO 406 ISO 1101		projection ASME Y14.5		product family LATCH-N-LOK	
ltr ecn nodr date		tolerances unless otherwise specified		title		INCH/MM		2X6 LNL VERTICAL HEADER ASSEMBLY	
L	ELX-N-008444	ZK	11/29/11	angles	linea	XXX±.01/0.XX±0.3	scale 2:1	dwg no	
F	M04-0230	MHT	12/8/04	0°±2°	linea	XXX±.005/0.XX±0.13		sheet 1 of 2	
G	M05-0052	ERE	3/19/05	chr	M. CORNMANN	6/19/90	size		
H	M06-0285	AGS	7/28/06	engr	D. HORCHLER	6/19/00	A3		
J	M06-0365	AGS	9/20/06	chr	D. HORCHLER	6/19/90	69694		
K	M09-0048	MHT	3/12/09	app	D. HORCHLER	6/19/90	type Product Customer Drawing		
sheet	revision	L	L						
index	sheet	1	2						

Copyright FCI  
 FCIconnect.com

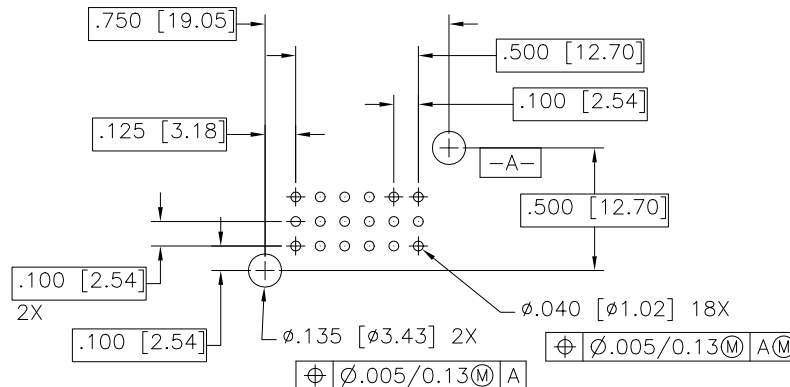
69694-XXXXLF

LEAD FREE OPTION (6) (7)

	COLOR (4)	
1	70343	LT GRAY OBS
2	80166	OFF WHITE
3	70634	DK GRAY OBS
4	701	BLACK
5	70511	SLATE GRAY OBS
7	70455	SILVER GRAY
8	80189	PEARL WHITE OBS
9	70419	PEBBLE GRAY

	PLATING (3)	
0	30u" MIN OVER 50u" MIN	Ni
3	30u" MIN OVER 50u" MIN	Ni
5	50u" MIN OVER 50u" MIN	Ni

	PIN LENGTH	
	DIM L	
0	.130	3.30
1	.230	5.84
2	.318	8.08



RECOMMENDED PCB LAYOUT

NOTES:

- AT'L: HIGH TEMPERATURE THERMOPLASTIC., UL-94V-0 RATED.
- GROUND CONTACT  
MAT'L: COPPER ALLOY  
PLATING: 100-160u"/2.54-4.06u TIN.
- SIGNAL CONTACT  
MAT'L: COPPER ALLOY  
PLATING OPTION: PERFORMANCE PLATING WILL BE EITHER GOLD OR GXT ON CONTACT AREA OR TAIL, OPTIONALLY (78-295u") TIN ON TAIL.
- NUMBERS SHOWN ARE FOR G.E. LEXAN AND ARE FOR REFERENCE ONLY.
- THIS ASSEMBLY U.L. APPROVED PER FILE E66906 VOL. 1, SEC. 84 AND CSA APPROVED PER MASTER FILE LR 46923.
- ADD LF SUFFIX AT THE END OF PART NUMBER FOR LEAD FREE OPTION.
- THE HOUSING WILL WITHSTAND EXPOSURE TO 260°C PEAK TEMPERATURE FOR 15 SECONDS IN A WAVE SOLDER APPLICATION WITH A 1.5mm MINIMUM THICK CIRCUIT BOARD. SEE APPLICATION NOTES/PROCEDURES IF THEY ARE AVAILABLE.
- THIS PRODUCT MEETS EUROPEAN UNION DIRECTIVES AND OTHER COUNTRY REGULATION AS DESCRIBED IN GS-22-008.
- PRODUCT SPEC: GS-12-003

mat'l. code		surface ISO 1302 ✓	tolerance ISO 406 ISO 1101	projection INCH/MM	product family LATCH-N-LOK
ltr ecn nodr date		tolerances unless otherwise specified		title	
L		angles 0°±2'	line XXX±.01/0.X±0.3 XXX±.005/0.XX±0.13 XXX±.0020/0.XXX±0.05	scale 1:1	2X6 LNL VERTICAL HEADER ASSEMBLY
dr		M. CORNMAN 6/19/90		dwg no	sheet 2 of 2 size
engr		D. HORCHLER 6/19/00		69694 A3	
chr		D. HORCHLER 6/19/90		type Product Customer Drawing	
app		D. HORCHLER 6/19/90			
sheet index	revision sheet				