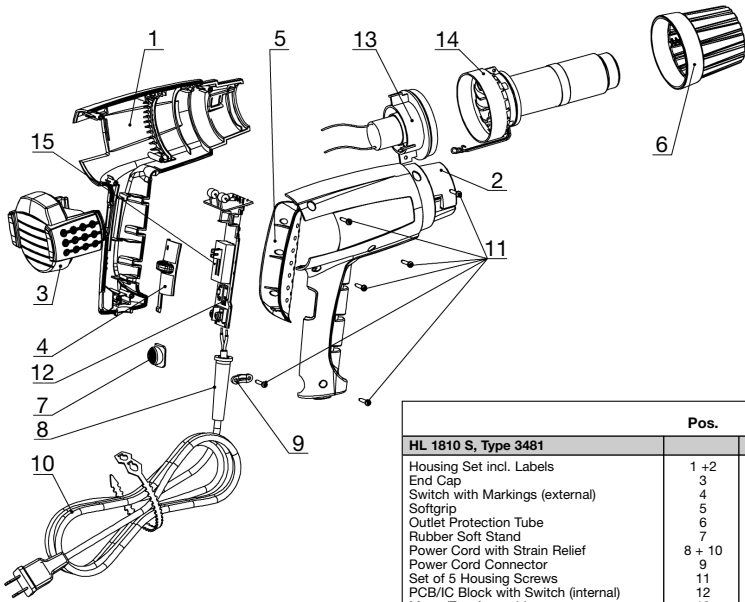


Spare Parts List HL 1810 S



	Pos.	Part No.
HL 1810 S, Type 3481		
Housing Set incl. Labels	1 + 2	02818
End Cap	3	—
Switch with Markings (external)	4	02420
Softgrip	5	02821
Outlet Protection Tube	6	02523
Rubber Soft Stand	7	02629
Power Cord with Strain Relief	8 + 10	02723
Power Cord Connector	9	—
Set of 5 Housing Screws	11	02829
PCB/IC Block with Switch (internal)	12	02318
Motor/Fan Assembly	13	02218
Heating Element 1400W/120V	14	02118
Switch (internal)	15	02426

Wiring Diagram HL 1810 S

