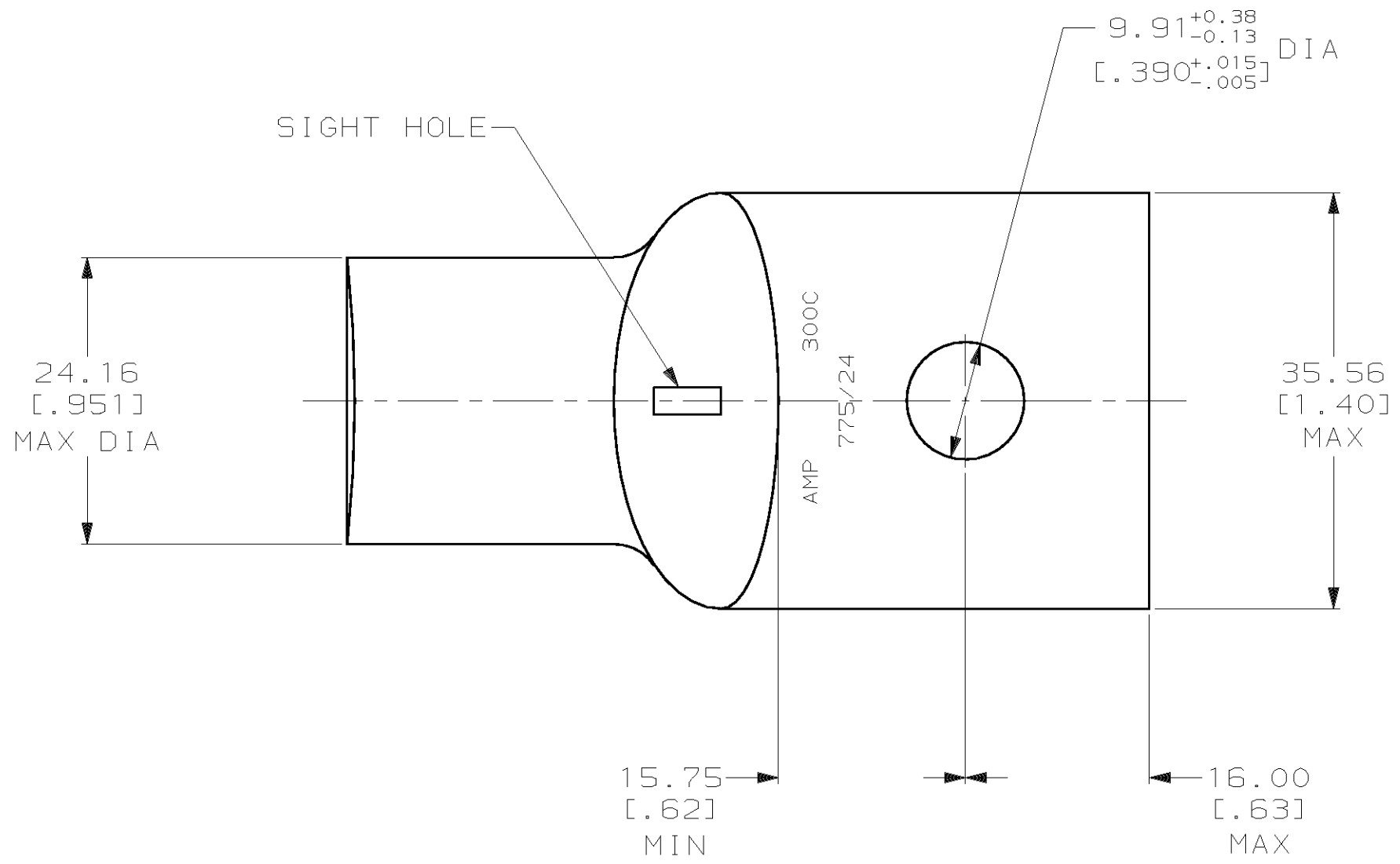
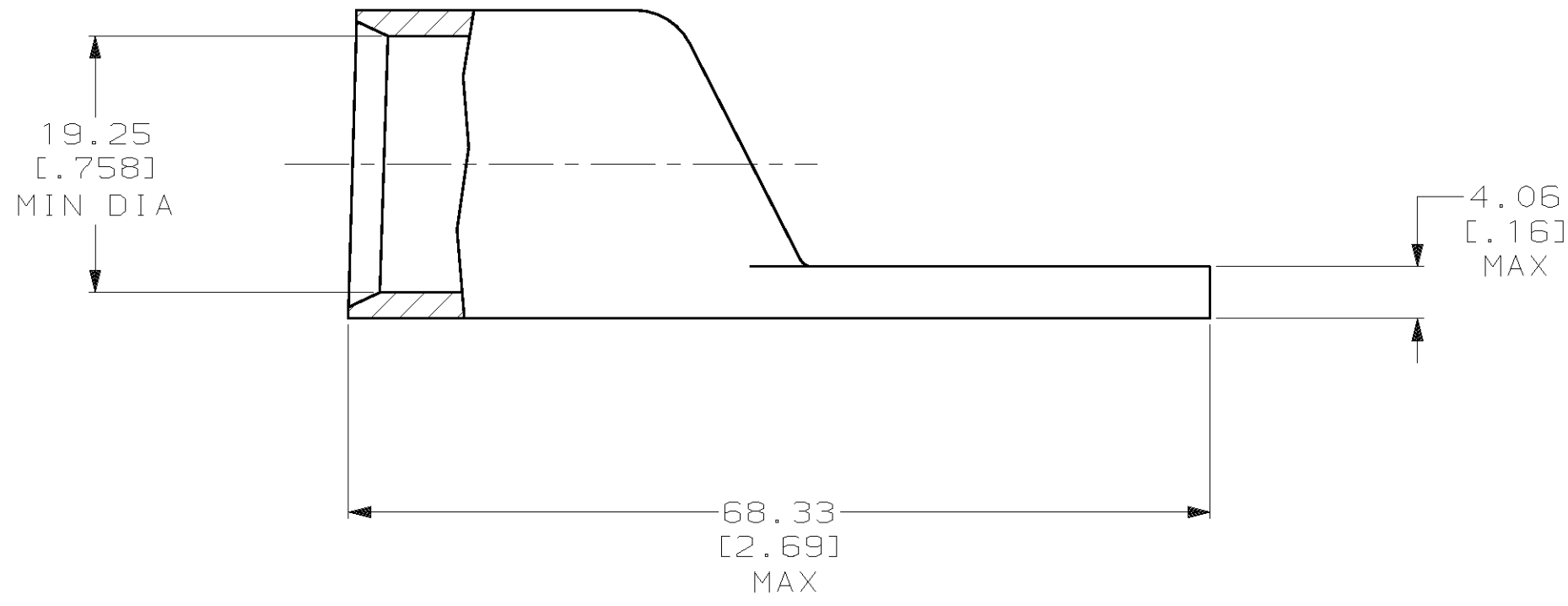


THIS DRAWING IS UNPUBLISHED. RELEASED FOR PUBLICATION
 © COPYRIGHT 19 BY AMP INCORPORATED. ALL INTERNATIONAL RIGHTS RESERVED.

LOC		DIST		ZONE		LTR		REVISIONS		DATE	APPD
G	86	P	F					T	REV PER 063A-0561-01	080CT02	JR/MS



1 CIRCULAR MIL AREA RANGE: 275-325 MCM
 2 TIN PL 0.00381 [.000150] MIN THK PER MIL-T-10727



METRIC

DO NOT SCALE PRINT. UNLESS SPECIFIED DIMENSIONS IN mm [INCHES] TOLERANCES ON : 2 PLC DEC ± 0.51 [.020] 3 PLC DEC ± - ANGLES ± -		DR 02/28/90 DK SCHRUM		AMP INCORPORATED Harrisburg, Pa. 17105	
MATERIAL ANNEALED COPPER ASTM B-75		CHK 23JAN95 MS FEHER			
FINISH 		APPD 23JAN95 WJ VOCKROTH		NAME TERMINAL, AMPPOWER™ WIRE SIZE: 300 MCM	
APPLICATION SPEC -		APPD 23JAN95 TL SHUTTER		DRAWING NO 325803	
WEIGHT .158 LB		PRODUCT SPEC 108-30200		SCALE 2:1	
				SHEET 1 OF 1	

325803
 PART NO