

Cord retaining strain relief snap-in mounting



Approvals and Compliances

Description

- Screw-on from front side
- Protection against accidental disconnection of power supply cord

References

- Alternative: version for screw mounting [2576 retaining kit](#)
 Component 1: Inlet [2578](#)
 Component 2: [Retainer](#)
 Component 3: Power cord with country specific line connector

Weblinks

- [pdf datasheet](#), [html-datasheet](#), [General Product Information](#), [Distributor-Stock-Check](#), [Accessories](#), [Detailed request for product](#), [Video](#)

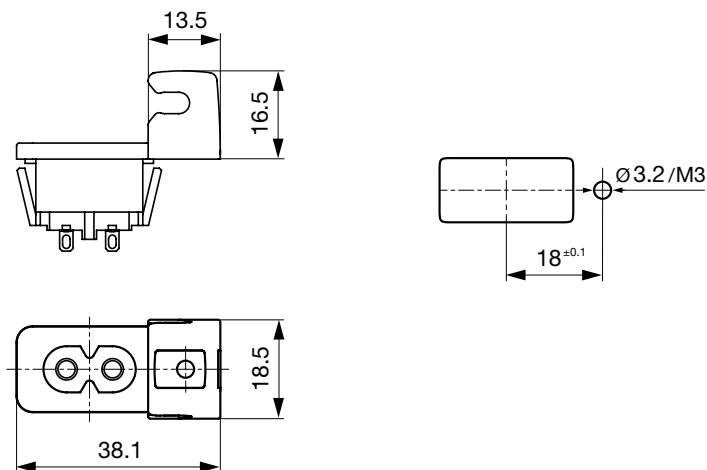
Technical Data

Ratings IEC	2.5 A / 250 VAC; 50 Hz
Ratings UL/CSA	7 A / 250 VAC; 60 Hz
IP-Protection	from front side IP 20 acc. to IEC 60529
Insulation cover	Suitable for appliances with protection class II acc. to IEC 61140

Approvals and Compliances

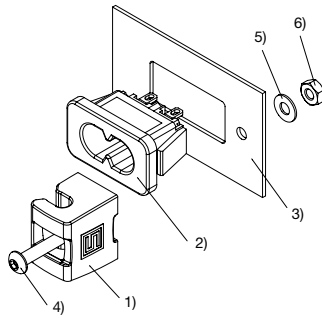
Detailed information on product approvals, code requirements, usage instructions and detailed test conditions can be looked up in [Details about Approvals](#)

Dimensions [mm]



Retaining Kit

Assembly Instructions



- 1) Retainer
- 2) Appliance Inlet
- 3) Panel
- 4) Screws (M3)
- 5) Washer
- 6) Nut (M3)

Screws, nuts and washers are not included in the kit

Variants kit

Description	Appliance inlet	Cable	Country	Length [m]	Retainer	Order Number
2578 Retaining Kit US 2m	6163.0016	6010.5274	USA	2.0	0098.9274	6160.0124
2578 Retaining Kit US 4m	6163.0016	6010.5278	USA	4.0	0098.9274	6160.0125
2578 Retaining Kit EU 2m	6163.0016	6013.0474	EU	2.0	0098.9274	6160.0126
2578 Retaining Kit EU 4m	6163.0016	6013.0478	EU	4.0	0098.9274	6160.0127
2578 Retaining Kit US 2m	6160.0074	6010.5274	USA	2.0	0098.9274	6160.0128
2578 Retaining Kit US 4m	6160.0074	6010.5278	USA	4.0	0098.9274	6160.0129
2578 Retaining Kit EU 2m	6160.0074	6013.0474	EU	2.0	0098.9274	6160.0130
2578 Retaining Kit EU 4m	6160.0074	6013.0478	EU	4.0	0098.9274	6160.0131
2578 Retaining Kit US 2m	6160.0029	6010.5274	USA	2.0	0098.9274	6160.0132
2578 Retaining Kit US 4m	6160.0029	6010.5278	USA	4.0	0098.9274	6160.0133
2578 Retaining Kit EU 2m	6160.0029	6013.0474	EU	2.0	0098.9274	6160.0134
2578 Retaining Kit EU 4m	6160.0029	6013.0478	EU	4.0	0098.9274	6160.0135
2578 Retaining Kit US 2m	6160.0031	6010.5274	USA	2.0	0098.9274	6160.0136
2578 Retaining Kit US 4m	6160.0031	6010.5278	USA	4.0	0098.9274	6160.0137
2578 Retaining Kit EU 2m	6160.0031	6013.0474	EU	2.0	0098.9274	6160.0138
2578 Retaining Kit EU 4m	6160.0031	6013.0478	EU	4.0	0098.9274	6160.0139

Other appliance inlet on request

Availability for all products can be searched real-time: <https://www.schurter.com/en/Stock-Check/Stock-Check-SCHURTER>

Packaging unit 100 Pcs