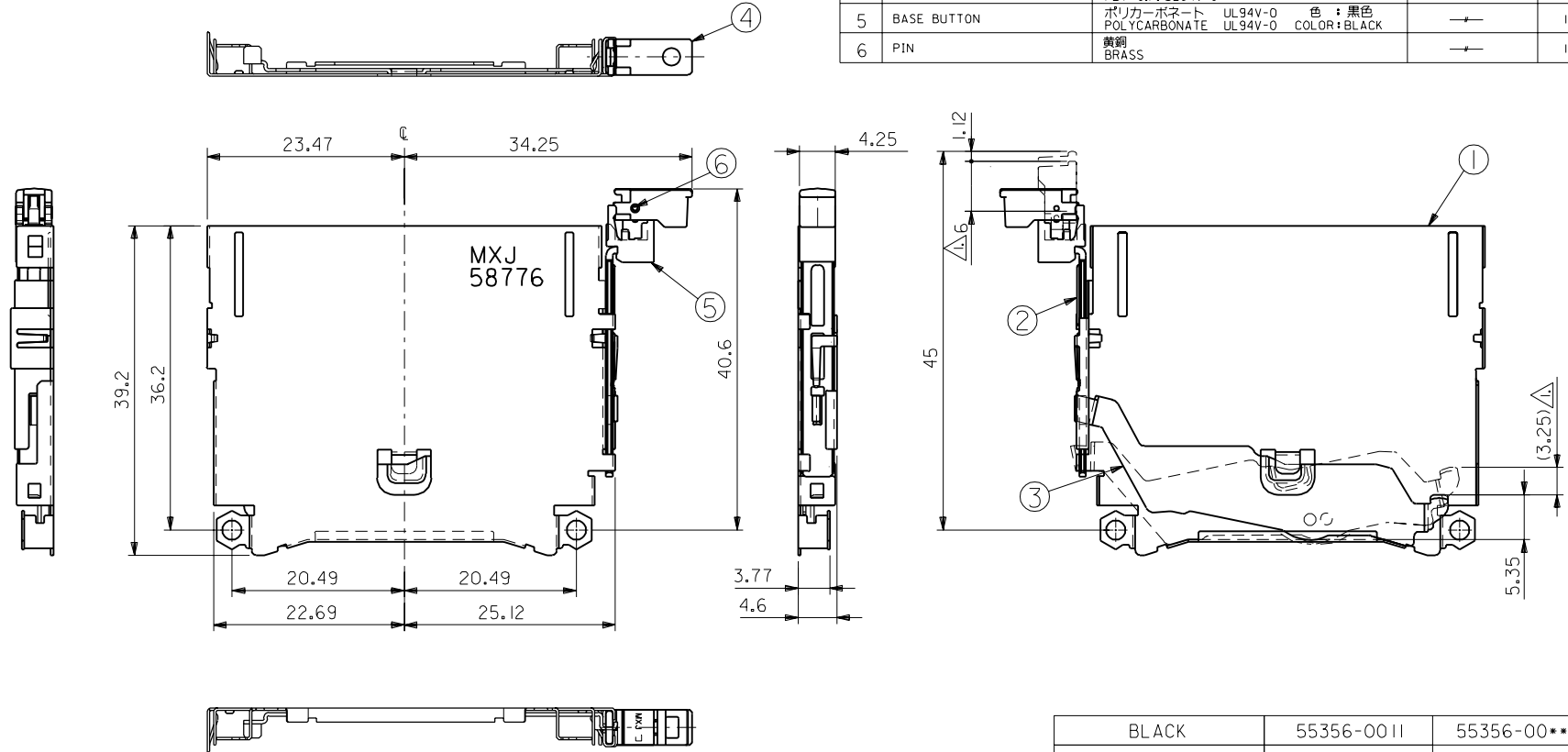


DWG. NO. SD-55356-002

No.	品名 NAME	材料 MATERIAL	仕上げ FINISH	個数 PIECE
1	METAL SHELL	ステンレス鋼 t 0.3 STAINLESS STEEL t 0.3	—	1
2	ROD	ステンレス鋼 t 0.8 STAINLESS STEEL t 0.8	—	1
3	LEVER	ステンレス鋼 t 0.4 STAINLESS STEEL t 0.4	—	1
4	TOP BUTTON	ガラス入りポリエステル UL94V-0 PBT G.F. UL94V-0	—	1
5	BASE BUTTON	ポリカーボネート UL94V-0 色 : 黒色 POLYCARBONATE UL94V-0 COLOR:BLACK	—	1
6	PIN	黄銅 BRASS	—	1



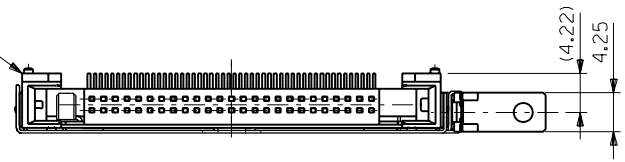
DO NOT SCALE DRAWING

EC NO.	DRWN:	CHK:	APPR:	EC NO.	DRWN:	CHK:	APPR:	EC NO.	DRWN:	CHK:	APPR:	REV	DESCRIPTION	MATERIAL	GENERAL TOLERANCES:	SCALE	DESIGN UNITS	THIRD ANGLE	DIMENSIONS:	SHT	REV
														材料	(UNLESS SPECIFIED)	2-1	<input checked="" type="checkbox"/> mm <input type="checkbox"/> INCH	<input type="checkbox"/> THIRD ANGLE <input type="checkbox"/> PROJECTION	<input type="checkbox"/> mm <input type="checkbox"/> INCH <input checked="" type="checkbox"/> mm ONLY		
														SEE CHART	10 UNDER 未滿						
														FINISH 仕上付	10 OVER 以上	±0.2					
														WIRE RANGE 通所用線形	30 UNDER 未滿	±0.25					
														INS. RANGE 被覆外径	30 OVER 以上	±0.3					
															ANGLE 角度	±3°					

BLACK	55356-0011	55356-00**
TOP BUTTON COLOR	MATERIAL No.	MODEL No.
DRAWN BY & DATE <i>M. Tanaka</i> '98/08/18		TITLE: CF CARD CONN. EJECT MECHANISM METAL SHELL ASS'Y (FOR LEFT SIDE BUTTON)
CHECKED BY & DATE <i>H. Saito</i> '98/08/18		APPROVED BY & DATE <i>H. Saito</i> '98/08/18
CAD FILENAME 55356002.S01		MATERIAL NO. SEE CHART
DRAWING NO. SD-55356-002		SHEET NO. 1 OF 2
THIS DRAWING CONTAINS INFORMATION THAT IS PROPRIETARY TO MOLEX INCORPORATED AND SHOULD NOT BE USED WITHOUT WRITTEN PERMISSION.		

DWG. NO. SD-55356-002

△ HDR ASS'Y
55341-5010
(55340-5010)

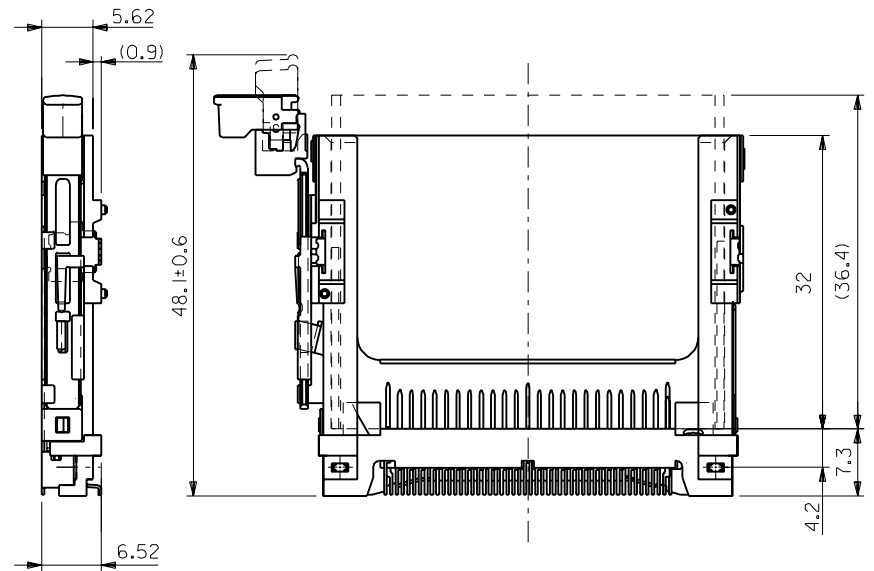
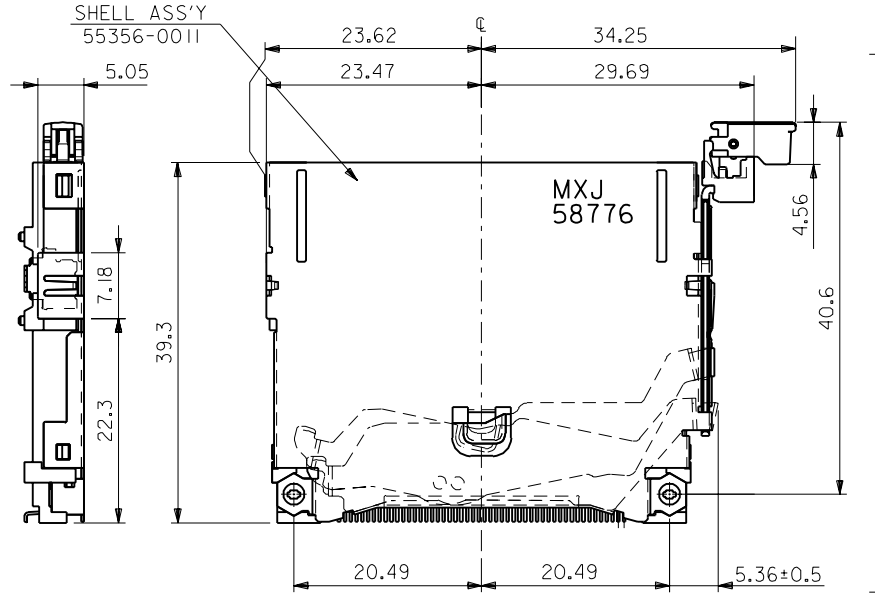


REFERENCE USE ONLY

注)
NOTES

- △1 ボタンストロークが 6mm の時、カード飛び出し量は (3.25mm)。
WHEN BUTTON PUSH STROKE IS 6mm, CARD OUT BY (3.25mm).
- 2. 適合 HEADER ASS'Y : 55340-5010(REVERSE), 55341-5010(NORMAL)
APPLICABLE HEADER ASS'Y : 55340-5010(REVERSE), 55341-5010(NORMAL)
- △3 SD-55341-003 (SD-55340-003) 参照
SEE SD-55341-003 (SD-55340-003)

SHELL ASS'Y
55356-0011



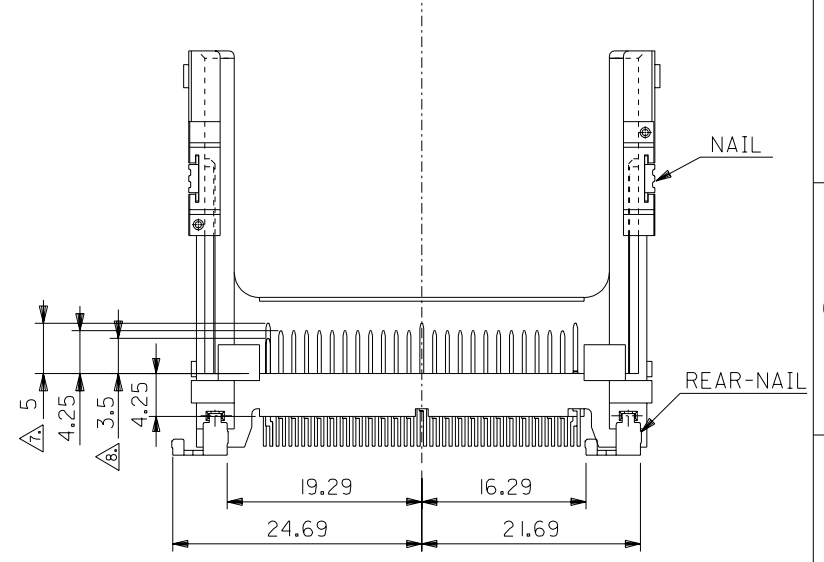
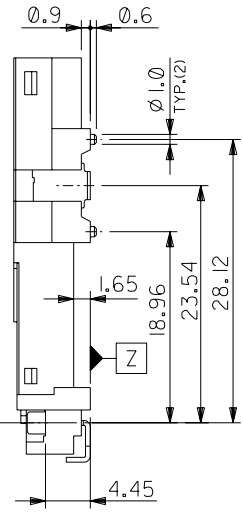
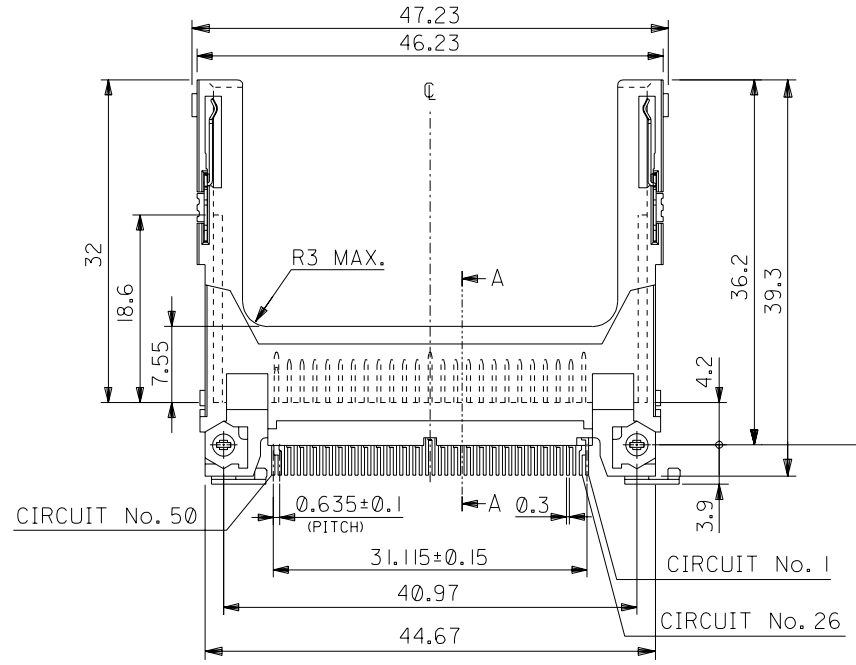
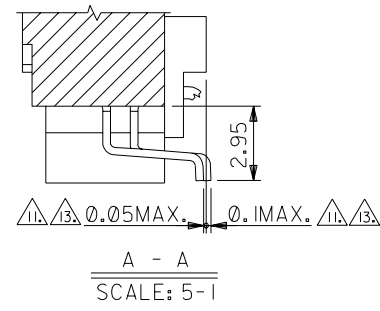
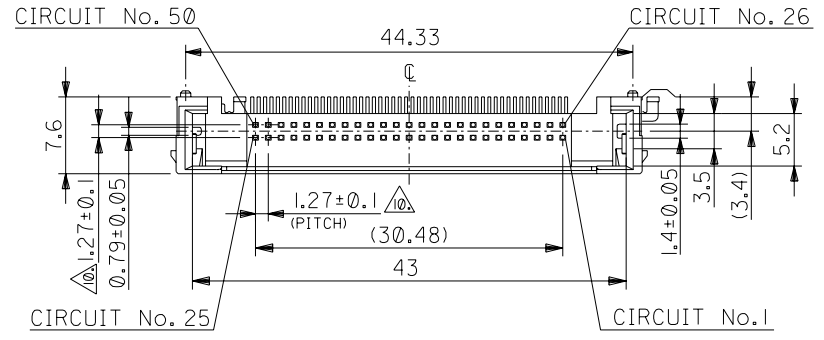
DO NOT SCALE DRAWING

EC NO. DRWN: CHK: APPR:	EC NO. DRWN: CHK: APPR:	EC NO. DRWN: CHK: APPR:	EC NO. DRWN: CHK: APPR:	A	0	DESCRIPTION	MATERIAL 材料	FINISH 仕上り	WIRE RANGE 適用線径範囲	INS. RANGE 被覆外径
						SEE SHEET 1 OF 2 参照	#	#	#	#

GENERAL TOLERANCES: (UNLESS SPECIFIED) 一般公差		SCALE 2 - 1	DESIGN UNITS <input checked="" type="checkbox"/> mm <input type="checkbox"/> INCH	THIRD ANGLE PROJECTION	DIMENSIONS: <input type="checkbox"/> mm <input type="checkbox"/> INCH <input checked="" type="checkbox"/> mm ONLY	SHT REV
10 UNDER 未満	+0.2	DRAWN BY & DATE <i>M. Yanaka</i> '98/08/18		TITLE: CF CARD CONN. EJECT MECHANISM METAL SHELL ASS'Y (FOR LEFT SIDE BUTTON)		
10 OVER 以上	+0.25	CHECKED BY & DATE <i>H. Saito</i> '98/08/18		APPROVED BY & DATE <i>H. Saito</i> '98/08/18		
30 OVER 以上	+0.3	CAD FILENAME 55356002.S02		MATERIAL NO. SEE SHEET 1 OF 2		
ANGLE 角度	+3°	DRAWING NO. SD-55356-002		SHEET NO. 2		

THIS DRAWING CONTAINS INFORMATION THAT IS PROPRIETARY TO MOLEX INCORPORATED AND SHOULD NOT BE USED WITHOUT WRITTEN PERMISSION.		SIZE B
--	--	-----------

DWG. NO. SD-55358-011



DO NOT SCALE DRAWING

EC NO. DRWN: CHK: APPR:	EC NO. DRWN: CHK: APPR:	EC NO. DRWN: CHK: APPR:	EC NO. DRWN: CHK: APPR:	EC NO. DRWN: CHK: APPR:
RELEASED EC NO. J2002-3139 DRWN: THANYU '02/06/17 CHK: MSASAO '02/06/17 APPR: MSASAO '02/06/17				
DESCRIPTION				
MATERIAL 材料				
FINISH 仕上り				
WIRE RANGE 適用電線範囲				
INS. RANGE 被覆外径				

SEE NOTES
SEE NOTES

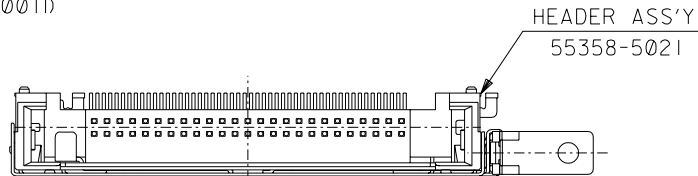
GENERAL TOLERANCES: (UNLESS SPECIFIED) 一般公差	
10 UNDER 未満	± 0.2
10 OVER 30 UNDER 以上 未満	± 0.25
30 OVER 以上	± 0.3
ANGLE 角度	$\pm 3^\circ$

SCALE 2 - 1	DESIGN UNITS <input checked="" type="checkbox"/> mm <input type="checkbox"/> INCH
DRAWN BY & DATE T. Hamura '02/06/17	
CHECKED BY & DATE H. Sasaki '02/06/17	
APPROVED BY & DATE H. Sasaki '02/06/17	
CAD FILENAME SD-55358-011.S01	

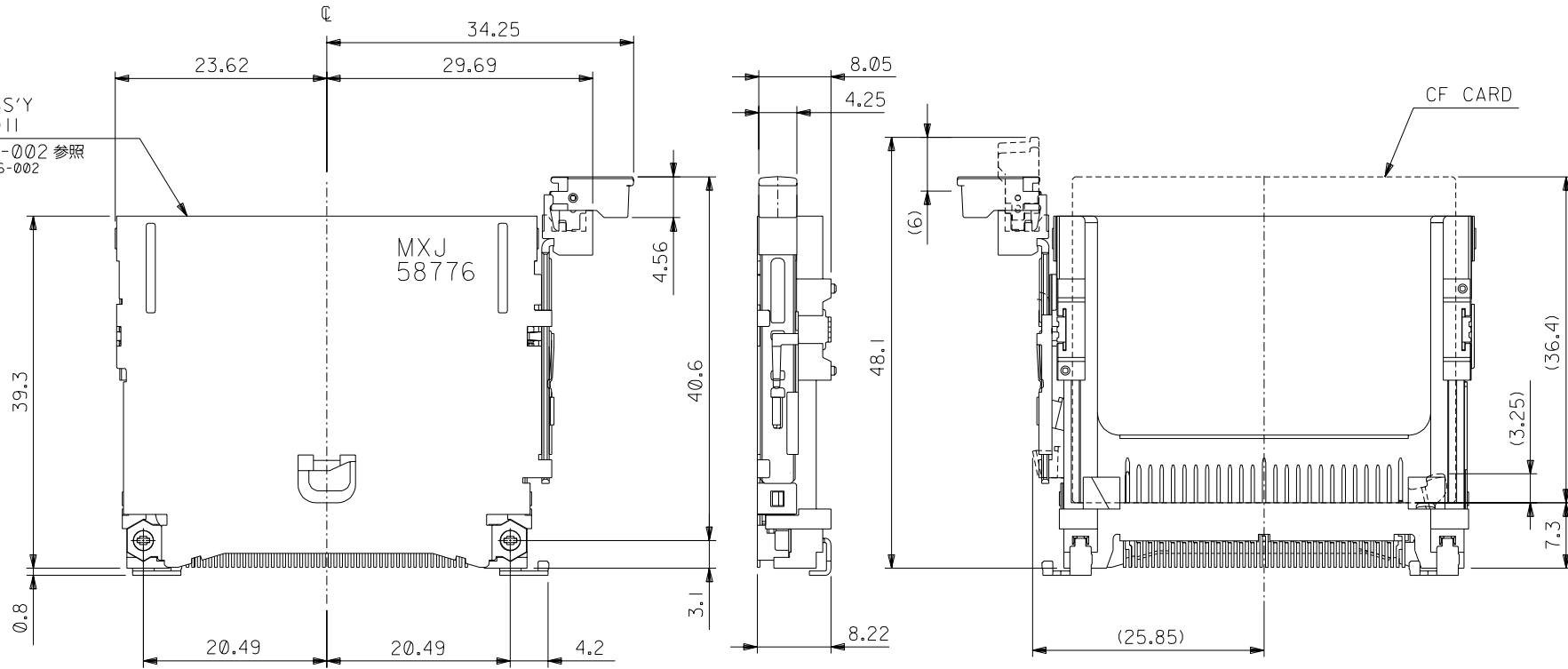
55358-5021		55358-50**	
MATERIAL No.		MODEL No.	
DIMENSIONS: <input type="checkbox"/> mm <input type="checkbox"/> INCH		SHT REV REVISE ON CAD ONLY	
THIRD ANGLE PROJECTION			
TITLE: CF CARD CONN. 50P HEADER ASS'Y (TYPE I/II, NORMAL)			
MOLEX INCORPORATED			
MATERIAL NO. SEE CHART	DRAWING NO. SD-55358-011	SHEET NO. 1 OF 3	
THIS DRAWING CONTAINS INFORMATION THAT IS PROPRIETARY TO MOLEX INCORPORATED AND SHOULD NOT BE USED WITHOUT WRITTEN PERMISSION.			SIZE B

REFERENCE USE ONLY

NORMAL MOUNT TYPE
(55358-5021 & 55356-0011)



SHELL ASS'Y
55356-0011
SD-55356-002 参照
SEE SD-55356-002



DO NOT SCALE DRAWING

EC NO. DRWN: CHK: APPR:				EC NO. DRWN: CHK: APPR:				EC NO. DRWN: CHK: APPR:				EC NO. DRWN: CHK: APPR:				SEE SHEET 1 OF 3 EC NO. DRWN: CHK: APPR:				MATERIAL 材料				GENERAL TOLERANCES: (UNLESS SPECIFIED) 一般公差				SCALE 2 - 1				DESIGN UNITS <input checked="" type="checkbox"/> mm <input type="checkbox"/> INCH				THIRD ANGLE PROJECTION				DIMENSIONS: <input type="checkbox"/> mm <input type="checkbox"/> INCH <input checked="" type="checkbox"/> mm ONLY				SHT REV																							
FINISH 仕上り				WIRE RANGE 適用電線範囲				INS. RANGE 被覆外径				10 UNDER 未満				10 OVER 30 UNDER 以上 未満				30 OVER 以上				ANGLE 角度				DRAWN BY & DATE T. Hamura '02/06/17				CHECKED BY & DATE H. Sato '02/06/17				APPROVED BY & DATE [Signature] '02/06/17				CAD FILENAME SD-55358-011.S03				MATERIAL NO. #				DRAWING NO. SD-55358-011				SHEET NO. 3															
																				TITLE: CF CARD CONN. 50P HEADER ASS'Y (TYPE I/II,NORMAL)																				MOLEX INCORPORATED																				THIS DRAWING CONTAINS INFORMATION THAT IS PROPRIETARY TO MOLEX INCORPORATED AND SHOULD NOT BE USED WITHOUT WRITTEN PERMISSION.				SIZE B			