

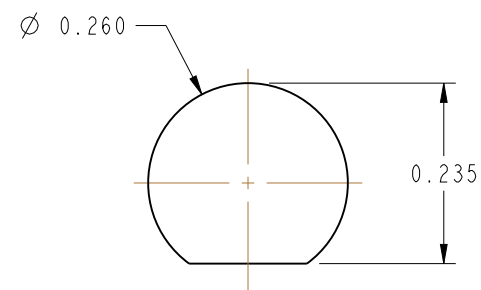
NOTES:

1. MATERIALS AND FINISHES:
 CRIMP BODY, BODY, HEX NUT & LOCK WASHER - STAINLESS STEEL, PASSIVATED
 CONTACT - BeCu, GOLD PLATING
 INSULATORS - PTFE, NATURAL
 FERRULE - COPPER TUBING, NICKEL PLATING
 HEAT SHRINK TUBING - POLYOLEFIN, BLACK
2. ELECTRICAL:
 A. IMPEDANCE: 50 OHM
3. MECHANICAL:
 A. DURABILITY: 500 CYCLES MIN.
 B. TEMPERATURE RANGE: -65 °C TO +165° C
4. PACKAGING:
 A. QUANTITY: SINGLE PACK
 B. MARKING: BAG TO BE MARKED
 "AMPHENOL RF, 901-9610-3SF, AND DATE CODE"
5. CABLE ASSEMBLY INSTRUCTIONS:
 A. FOR ASSEMBLY INSTRUCTIONS, SEE AMPHENOL SPEC. 349-50180 SHEET 35
 B. CRIMP USING AMPHENOL TOOL 227-944, DIE SET 227-1221-03
 CAVITY 'A' (M22520/5-03 CLOSURE 'A') 0.128 HEX

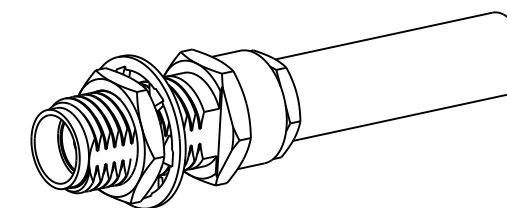
THIRD ANGLE PROJ.

REVISIONS

REV	DESCRIPTION	DATE	ECO	APPR
--	RELEASE TO MFG	--	--	--
F	REDRAWN IN PRO-E & COD ADDED	6/18/15	50333	NR

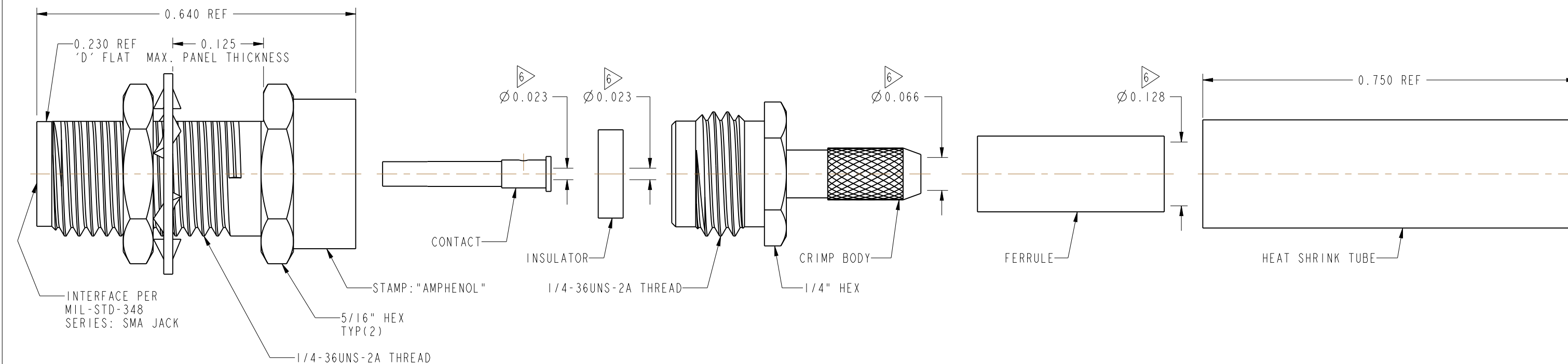


RECOMMENDED MOUNTING HOLE DIMENSIONS



SCALE 2.000

SHOWS CABLE ENTRY DIMENSIONS.



CUSTOMER OUTLINE DRAWING

ALL OTHER SHEETS ARE FOR INTERNAL USE ONLY

UNLESS OTHERWISE SPECIFIED, DIMENSIONS ARE IN INCHES AND TOLERANCES ARE: 2 PLACE DECIMAL 3 PLACE DECIMAL ANGLES ±.015 (0,381 mm) ±.005 (0,127 mm) ± 1°	MATERIAL	DRAWN	DATE	TITLE SMA STR BHD JACK FOR RG-174,187,188 & 316/U CABLE		Amphenol RF www.amphenolrf.com	
	SEE NOTES	RAJAGOPAL N	31-Dec-14				
NOTICE - These drawings, specifications, or other data (1) are, and remain the property of Amphenol corp. (2) must be returned upon request; and (3) are confidential and not to be disclosed to any person other than those to whom they are given by Amphenol Corp. the furnishing of these drawings, specifications, or other data by Amphenol Corp., or to any other person to anyone for any purpose is not to be regarded by implication or otherwise in any manner licensing, granting rights to permitting such holder or any other person to manufacture, use or sell any product, process or design, patented or otherwise, that may in any way be related to or disclosed by said drawings, specifications, or other data.	REFERENCE	ENGINEER	DATE	SCALE: 5.0:1.0 SHEET 2 OF 2		DRAWING NO.901-9610-3SF ITEM NO.901-9610-3SF	
	EAR # 111-98958	P.BRENZEL	14-Apr-87				
	CONFIGURATION LEVEL: In Work	APPROVED	DATE	REV	DWG SIZE B		PART NO.901-9610-3SF
FINISH	K. CAPOZZI	6/18/15	F				