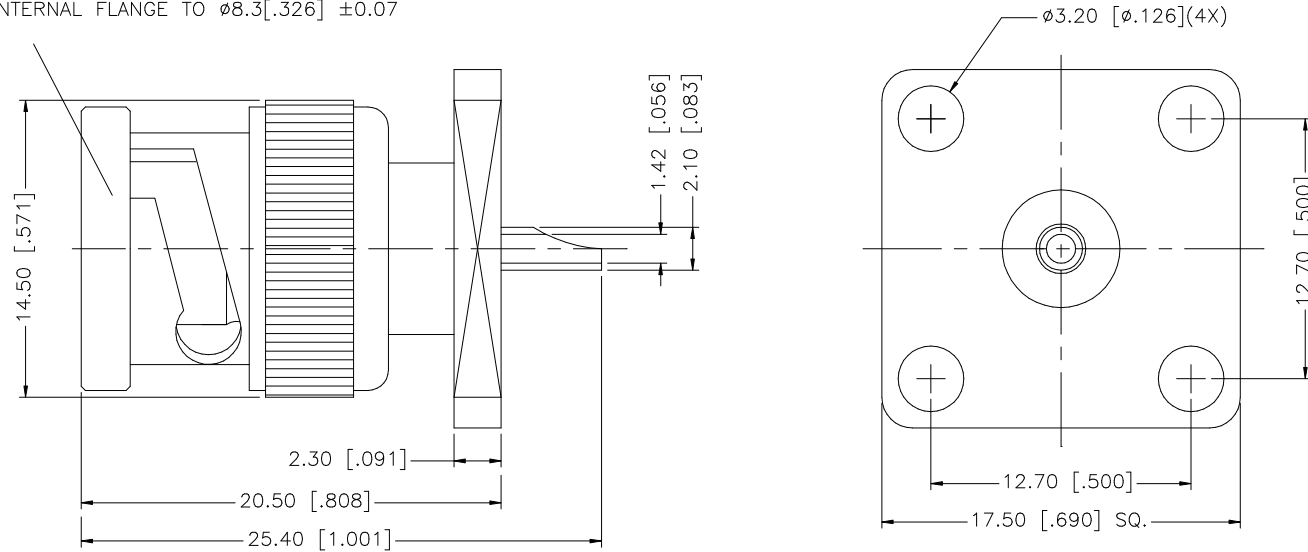


REV.	DATE	DESCRIPTION
NC	03/28/00	INITIAL RELEASE
A	01/02/07	UPDATE DRAWING FORMAT

NOTE:

FLARE INTERNAL FLANGE TO $\varnothing 8.3 [.326] \pm 0.07$



REV.	DATE	DESCRIPTION
8		
7		
6		
5		
4		
3	CONTACT PIN	BRASS GOLD 1
2	INSULATOR	TEFLON NATURAL 1
1	BODY	BRASS NICKEL 1
	DESCRIPTION	MATERIAL FINISH QTY

UNLESS OTHERWISE SPECIFIED DIMENSIONS ARE IN MILLIMETERS. DIMENSIONS IN [] ARE IN INCHES AND FOR CUSTOMER REFERENCE ONLY.		APPROVALS	DATE	<h1 style="color: blue; text-align: center;">Amphenol Connex</h1> <p style="text-align: center;">PART DESCRIPTION</p> <h2 style="text-align: center;">BNC PANEL PLUG – 4 HOLE FLANGE</h2> <p style="text-align: center;">—</p> <p style="text-align: center;">PART NO.</p> <h3 style="text-align: center;">112653</h3>							
UNLESS OTHERWISE SPECIFIED TOLERANCES FOR MILLIMETERS ARE:		DRAWN	G.R.S.								
0.5 – 8mm ± 0.20mm		CHECKED									
8 – 30mm ± 0.40mm		ISSUED									
30 – 120mm ± 0.50mm		SHEET	1 OF 1								
UNLESS OTHERWISE SPECIFIED TOLERANCES FOR INCHES ARE:		CAD FILE	C:/112/112653.DWG	DWG. NO.	112653.DWG	REV.	A	SIZE	A	SCALE	NA
.020 – .315 = ± 0.007"											
.315 – 1.180 = ± 0.015"											
1.180 – 4.724 = ± 0.020"											
DO NOT SCALE DRAWING											