

5

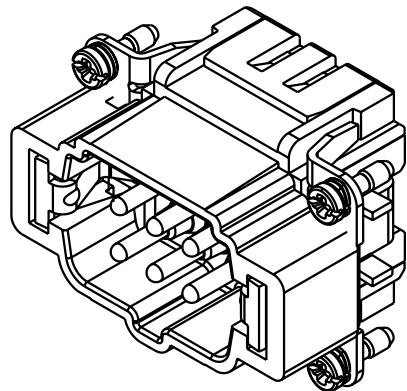
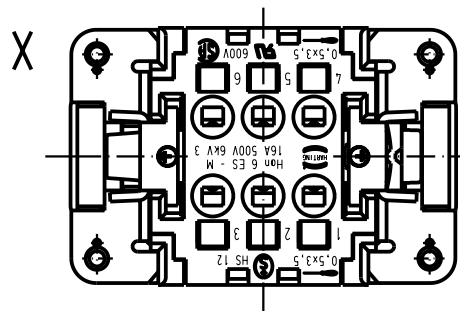
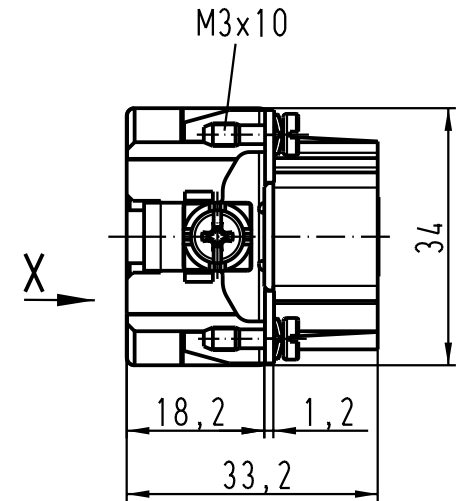
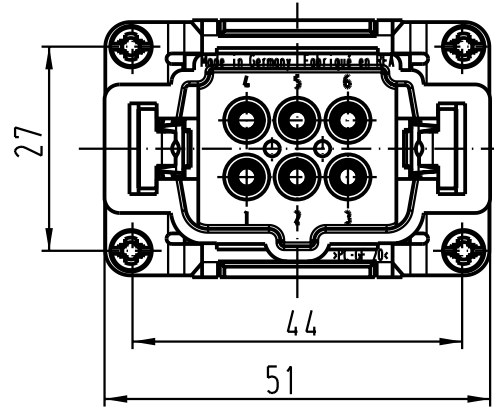
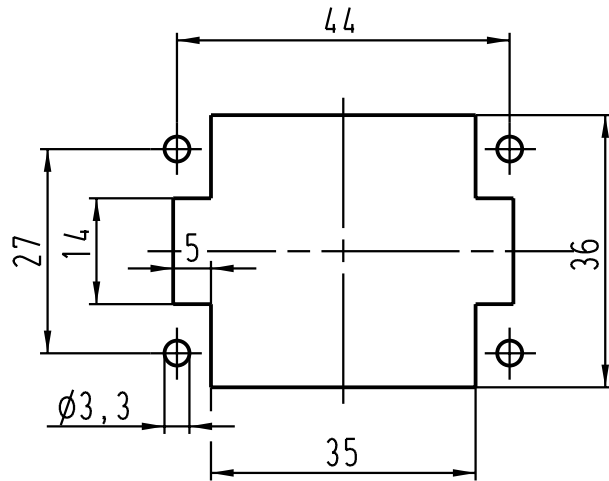
4

3

2

1

Montageausschnitt/  
panel cut out



|   |          |      |                                |          |      |  |  |  |
|---|----------|------|--------------------------------|----------|------|--|--|--|
| All Dimensions in mm<br>Original Size DIN A 4 |          |      | Techn. Character.              |          |      | Nicht tolerierte Masse/ Free size tolerances |  |  |
|   |          |      |                                | Dat.     | Name | Massstab/Scale                               |  |  |
|   |          |      | Detail.                        | 16.03.00 | ROH. | 1:1  |  |  |
|   |          |      | Insp.                          |          | SDT  |  |  |  |
| 410802  | 05.12.03 | DY   | Stand.                         |          |      |  |  |  |
| 410526  | 18.07.03 | Ho   | HARTING Electric GmbH & Co. KG |          |      | Han 6ES-M<br>Stifteinsatz/male insert        |  |  |
| 27341   |          |      | D-32339 Espelkamp              |          |      |  |  |  |
| Mod.  | Dat.     | Name |                                |          |      | TB 09 33 006 2616                            |  |  |
|   |          |      |                                |          |      | Blatt/page<br>Sub.                           |  |  |