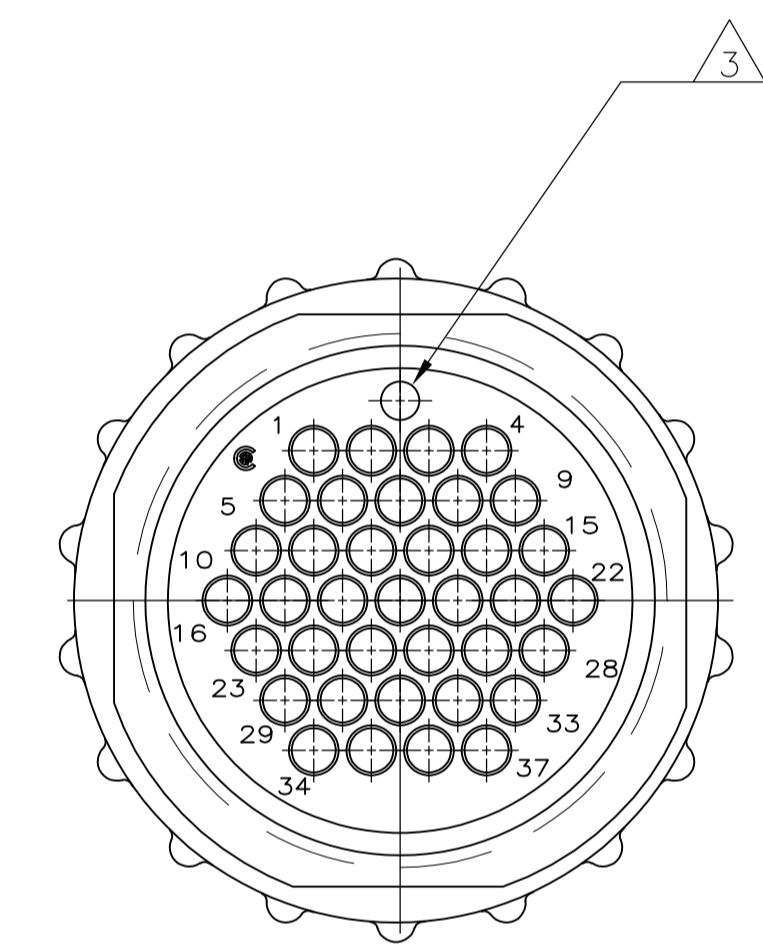
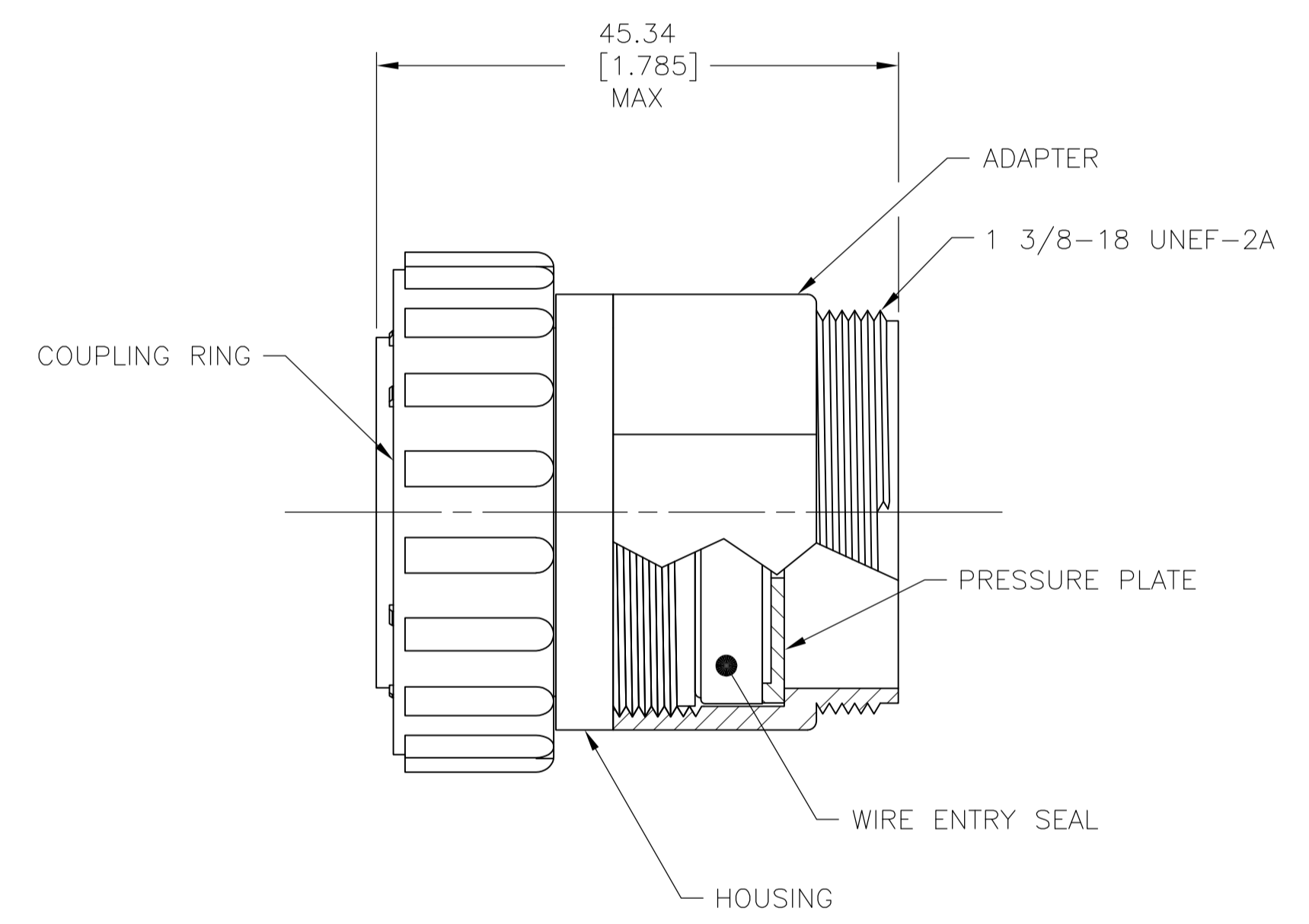
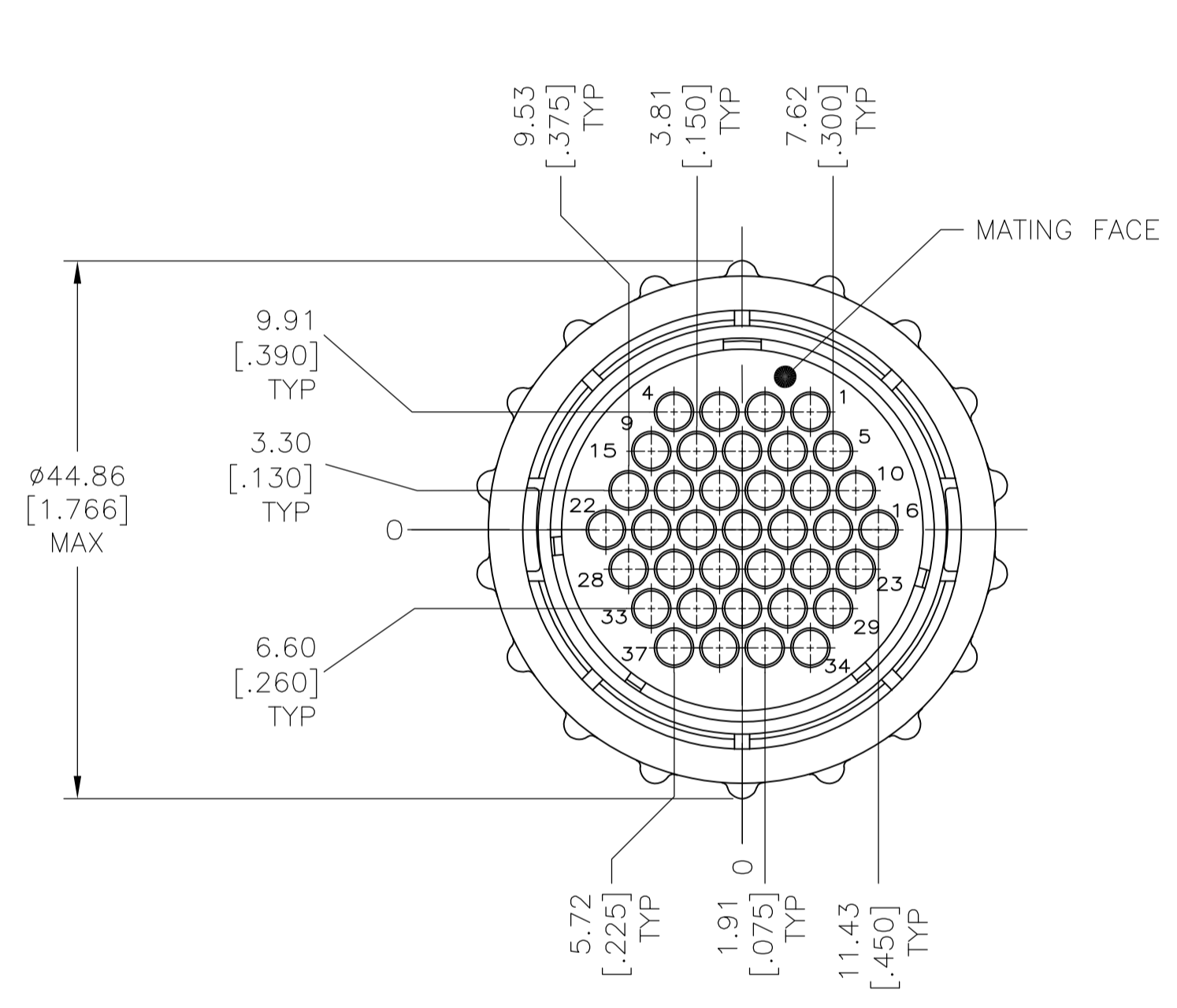


LOC		DIST		REVISIONS			
P	LTR	DESCRIPTION	DATE	DNW	APVD		
A		NEW DRAWING PER ECO-12-018480	26OCT12	KH	MZ		



- 1 COUPLING RING: POLYPHENYLENE, BLACK.
ADAPTER, HOUSING AND PRESSURE PLATE: NYLON, BLACK.
WIRE ENTRY SEAL: ELASTOMER, RED-IRON OXIDE.
- 2 CONNECTOR WILL ACCEPT (37) MULTIMATE SOCKET CONTACTS.
- 3 ORIENTATION HOLE USED IN THE MANUFACTURING PROCESS ONLY.
THIS HOLE IS NOT INTENDED FOR WIRE INSERTION.

1977887-1
PART NUMBER

THIS DRAWING IS A CONTROLLED DOCUMENT.		DWN KIRAN HOLAL 26OCT12	STE TE Connectivity	
DIMENSIONS: mm [INCHES]		CHK ZITTO MARK 26OCT12	NAME CPC PLUG ASSEMBLY, SERIES 1, SEALED, 23-37, STANDARD SEX, UV RESISTANT	
TOLERANCES UNLESS OTHERWISE SPECIFIED: 0 PLC ± - 1 PLC ± - 2 PLC ± 0.13[.005] 3 PLC ± - 4 PLC ± - ANGLES ± -		APVD ZITTO MARK 26OCT12	PRODUCT SPEC 108-1579	
MATERIAL		FINISH	SIZE A1	RESTRICTED TO
1		WEIGHT	CAGE CODE 00779	DRAWING NO 1977887
CUSTOMER DRAWING		SCALE 2:1	SHEET 1 of 1	REV A