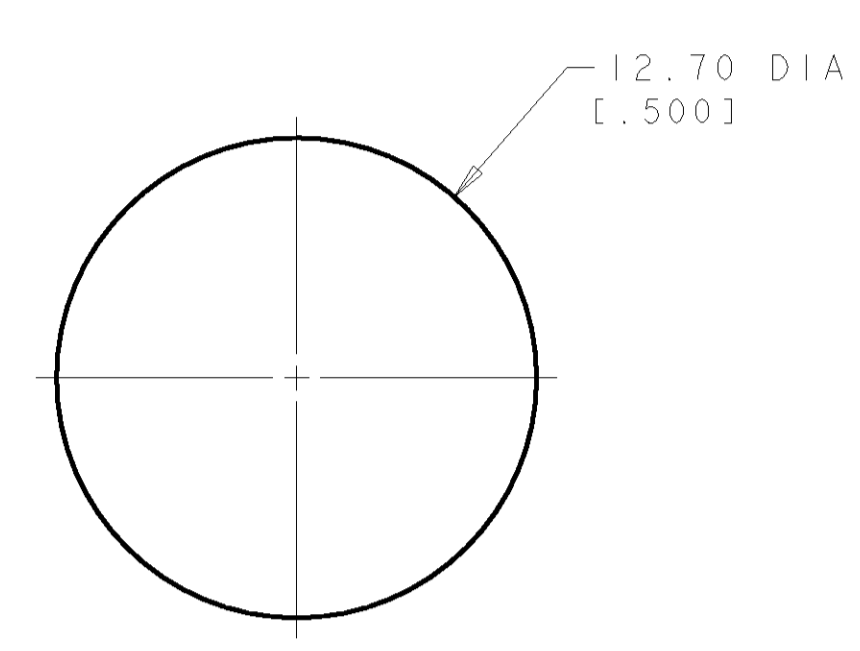
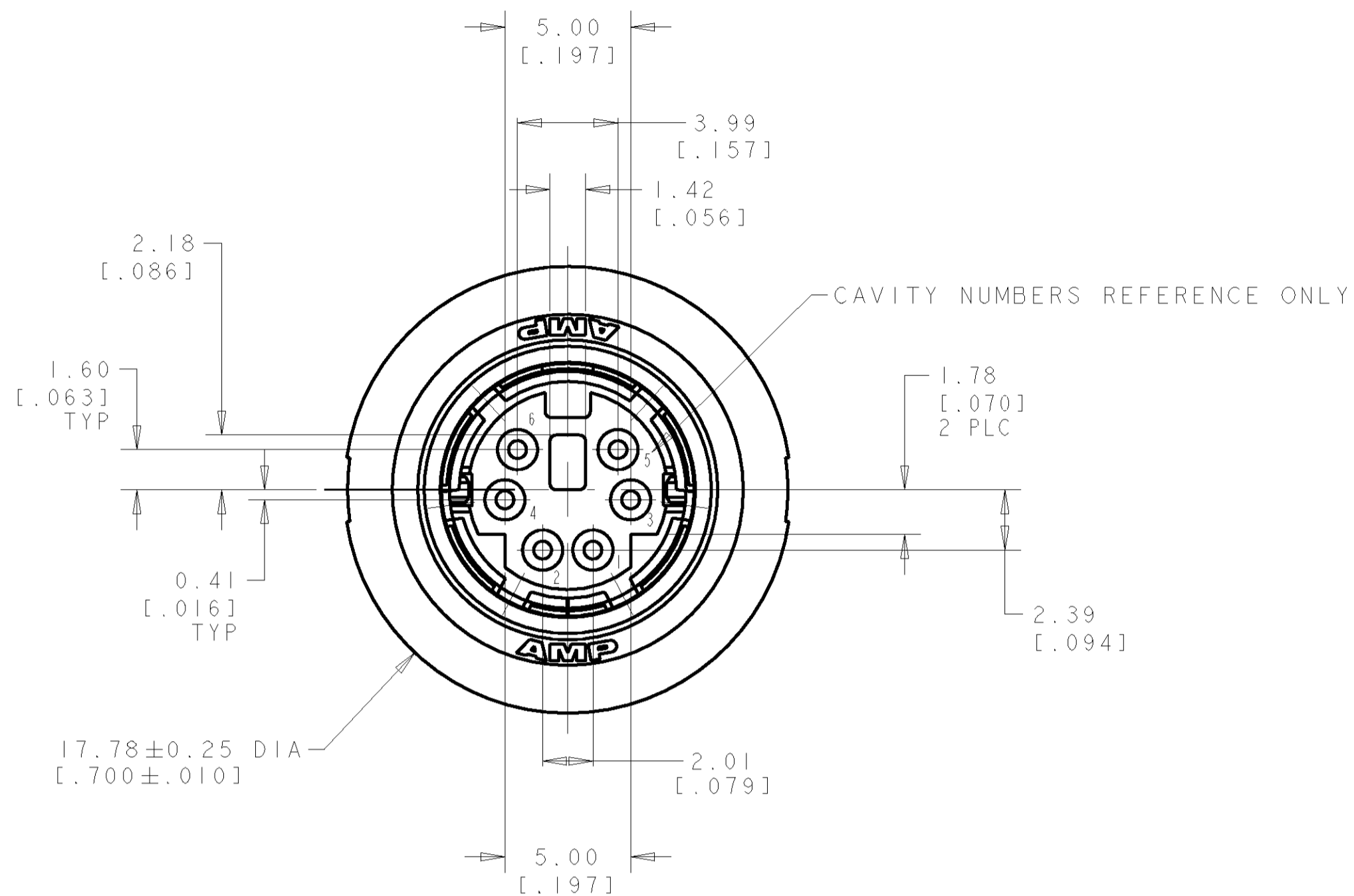
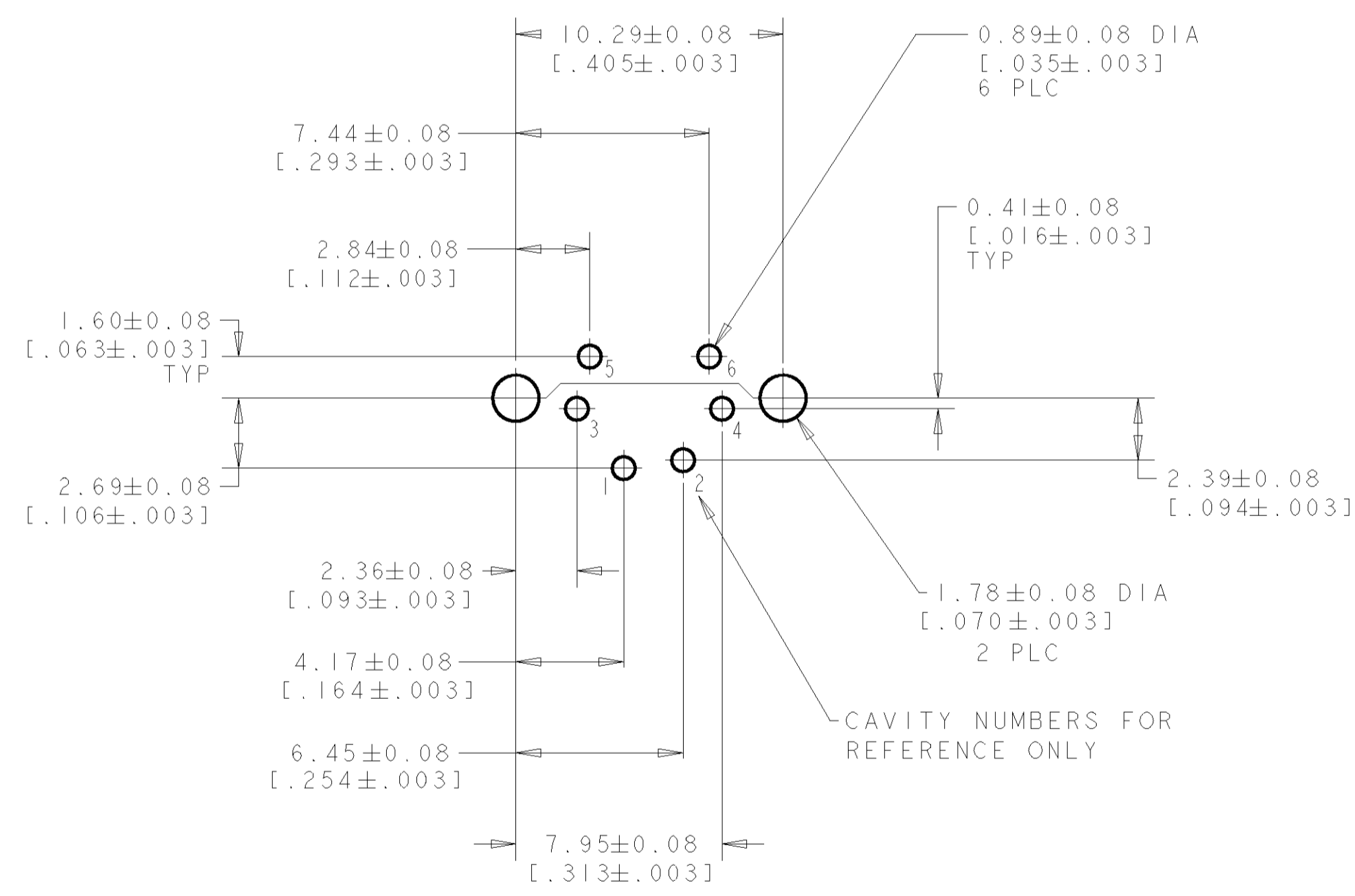
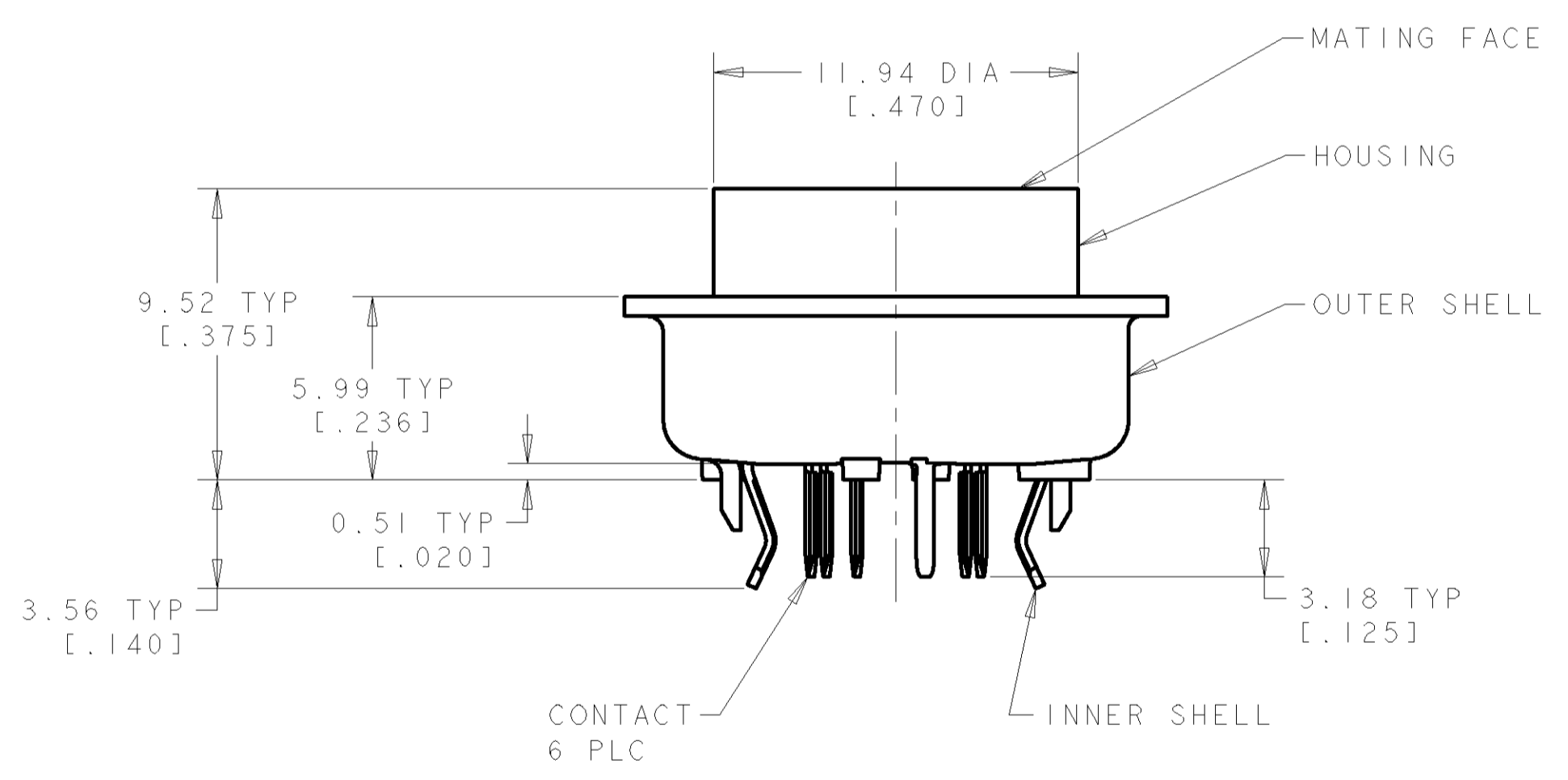


REVISONS		DATE	DNM	APRD
LOC	DIST			
0	NPR FP00-0216-04	31AUG2004	LWY	LSF

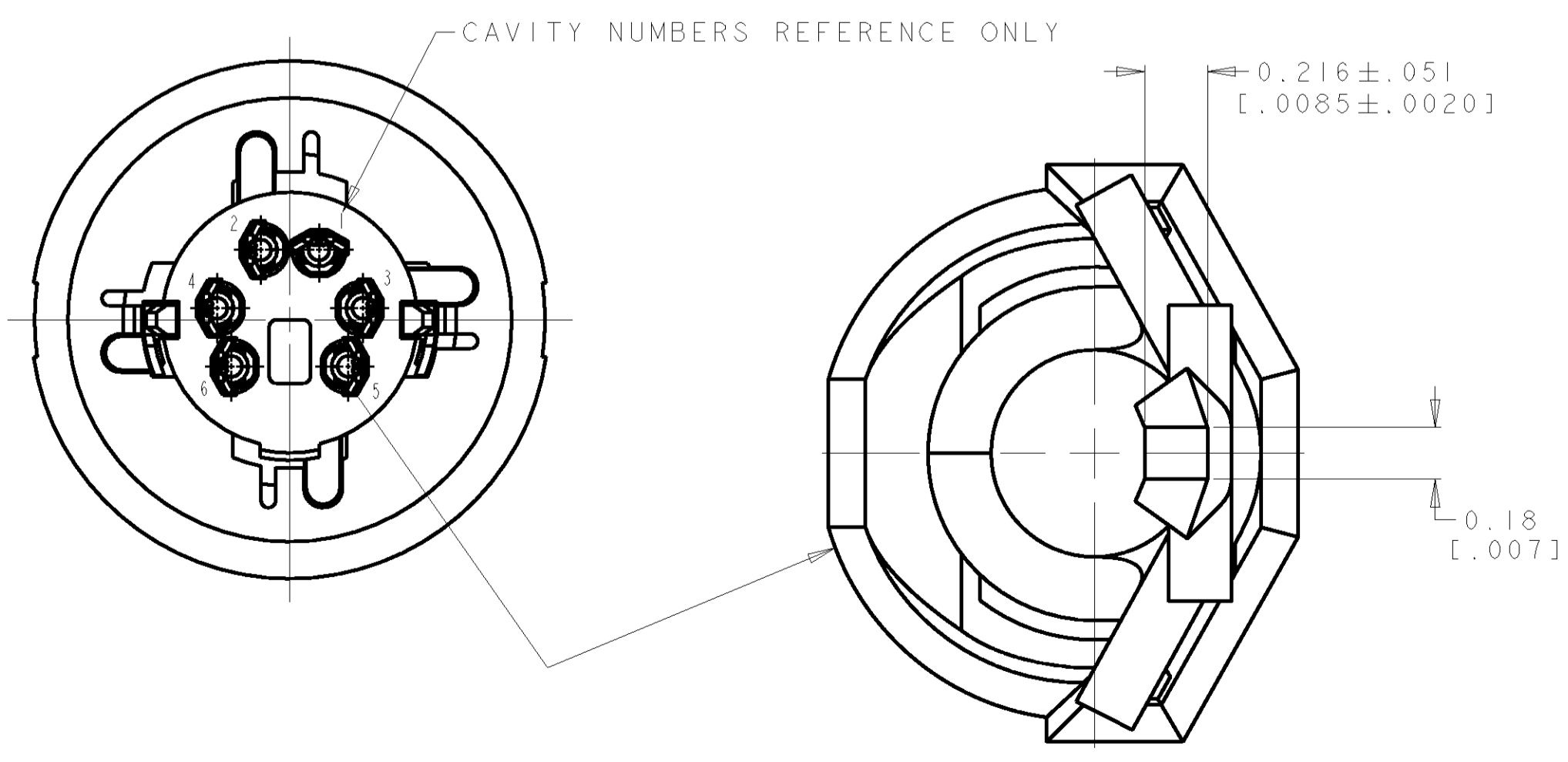


RECOMMENDED PANEL CUT-OUT

- 1 SHELLS: BRASS; CONTACTS: PHOSPHOR BRONZE; HOUSING: POLYESTER, UL 94V-0 RATED, BLACK.
- 2 0.76 μm [.000030] MIN GOLD ON MATING END FOR A LENGTH OF 1.37 [.054] MIN ON INSIDE, 2.54 μm [.000100] MIN TIN FOR A LENGTH OF 3.30 [.130] MIN FROM OPPOSITE END, ALL OVER 1.27 μm [.000050] MIN NICKEL.
- 3 0.38 μm [.000015] MIN GOLD ON MATING END FOR A LENGTH OF 1.37 [.054] MIN ON INSIDE, 2.54 μm [.000100] MIN TIN FOR A LENGTH OF 3.30 [.130] MIN FROM OPPOSITE END, ALL OVER 1.27 μm [.000050] MIN NICKEL.
- 4 RECEPTACLE ASSEMBLY MATES WITH 6 PIN, 8.99±0.10 [.354±.004] DIAMETER PLUG.



RECOMMENDED PC BOARD LAYOUT
BOTTOM VIEW



6 PLC
SCALE 50:1

<p>THIS DRAWING IS A CONTROLLED DOCUMENT FOR AMP INCORPORATED. ALL INFORMATION CONCERNING THE CONTROL OF THIS DOCUMENT OR THE ORGANIZATION SHOULD BE CONTACTED FOR THE LATEST REVISION.</p>		<p>DNM WYLEE 30AUG2004</p> <p>CRK SF LEONG</p> <p>APRD SF LEONG</p>	<p>CONTACT FINISH 5750329-2</p> <p>PART NO</p>
<p>DIMENSIONS: mm [INCHES]</p> <p>TOLERANCES UNLESS OTHERWISE SPECIFIED:</p> <p>0 PLC ±</p> <p>1 PLC ±</p> <p>2 PLC ±0.13 [.005]</p> <p>3 PLC ±</p> <p>4 PLC ±</p> <p>ANGLES</p>	<p>PRODUCT SPEC</p> <p>APPLICATION SPEC</p>	<p>NAME RECEPTACLE ASSEMBLY, 6 POSN, LOW FLANGE, SHIELDED, VERTICAL, MINIATURE CIRCULAR DIN</p> <p>SIZE A11</p> <p>CAGE CODE 00779</p> <p>DRAWING NO C=5750329</p>	<p>SCALE 5:1</p> <p>SHEET 1 OF 1</p> <p>REV 0</p>
<p>MATERIAL</p> <p>FINISH</p>		<p>WEIGHT</p> <p>CUSTOMER DRAWING</p>	<p>tyco Electronics Tyco Electronics Singapore Pte. Ltd.</p>