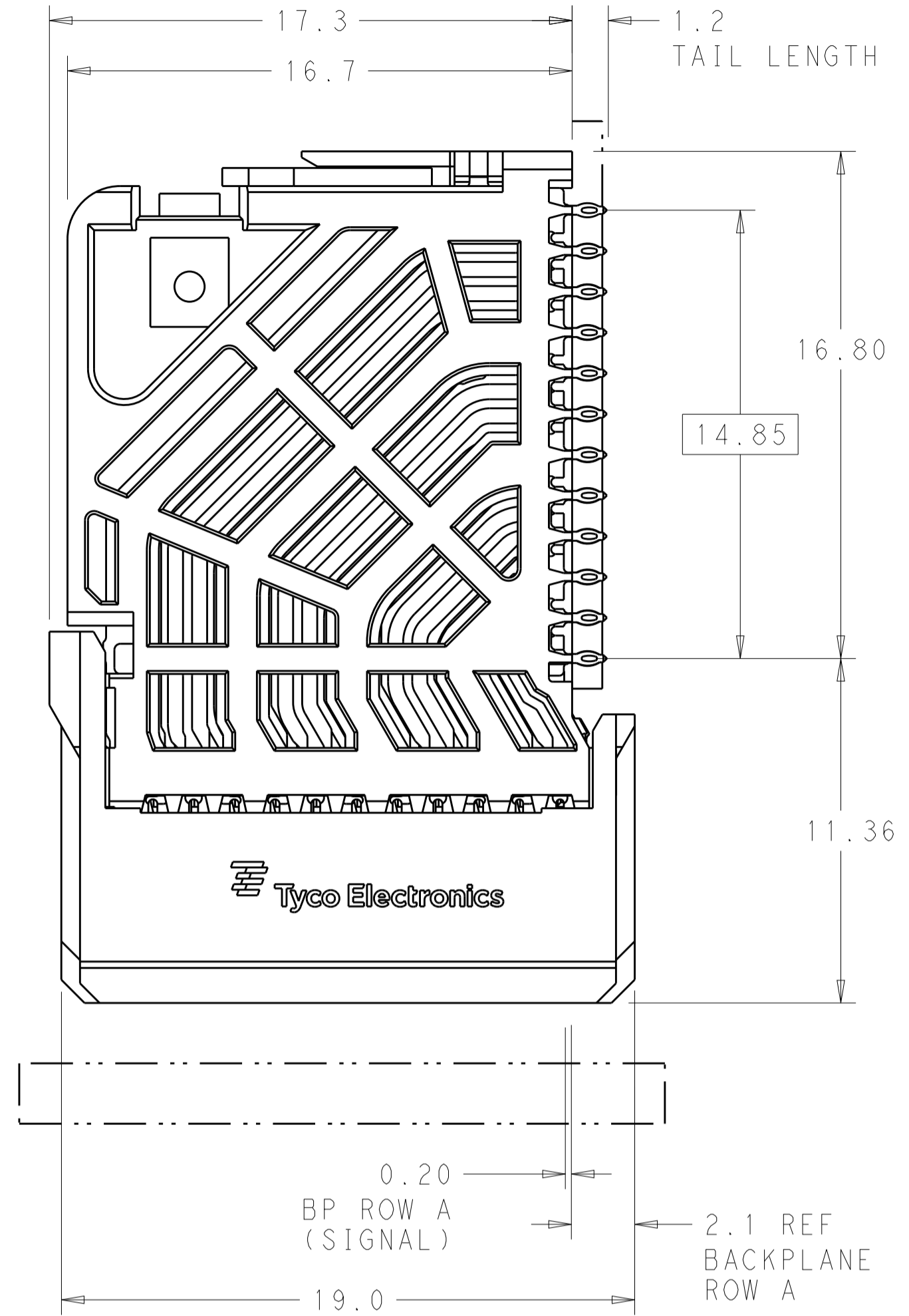
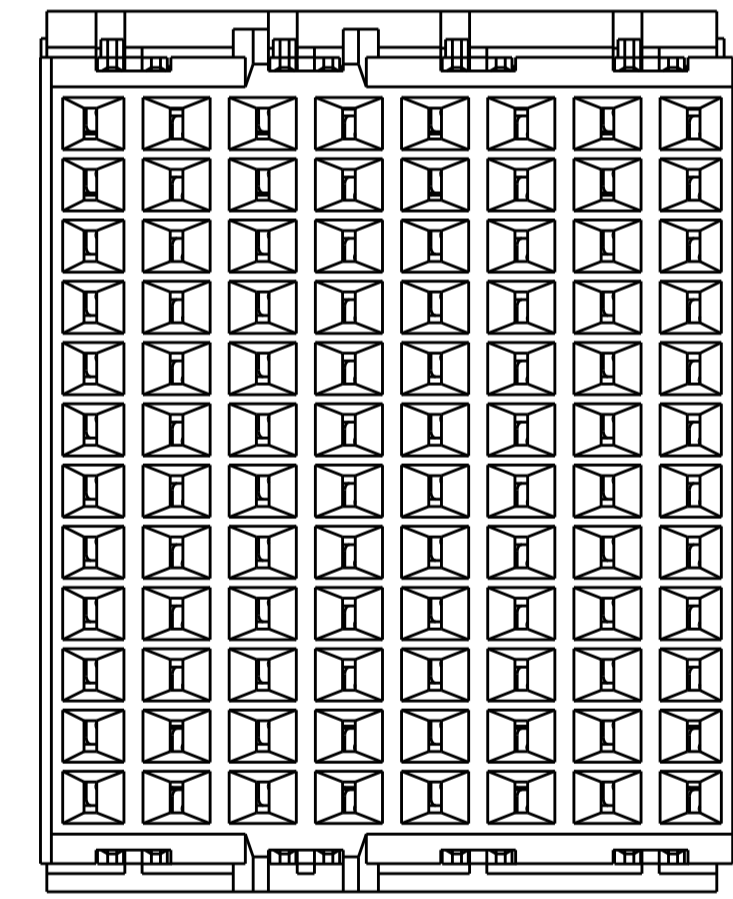
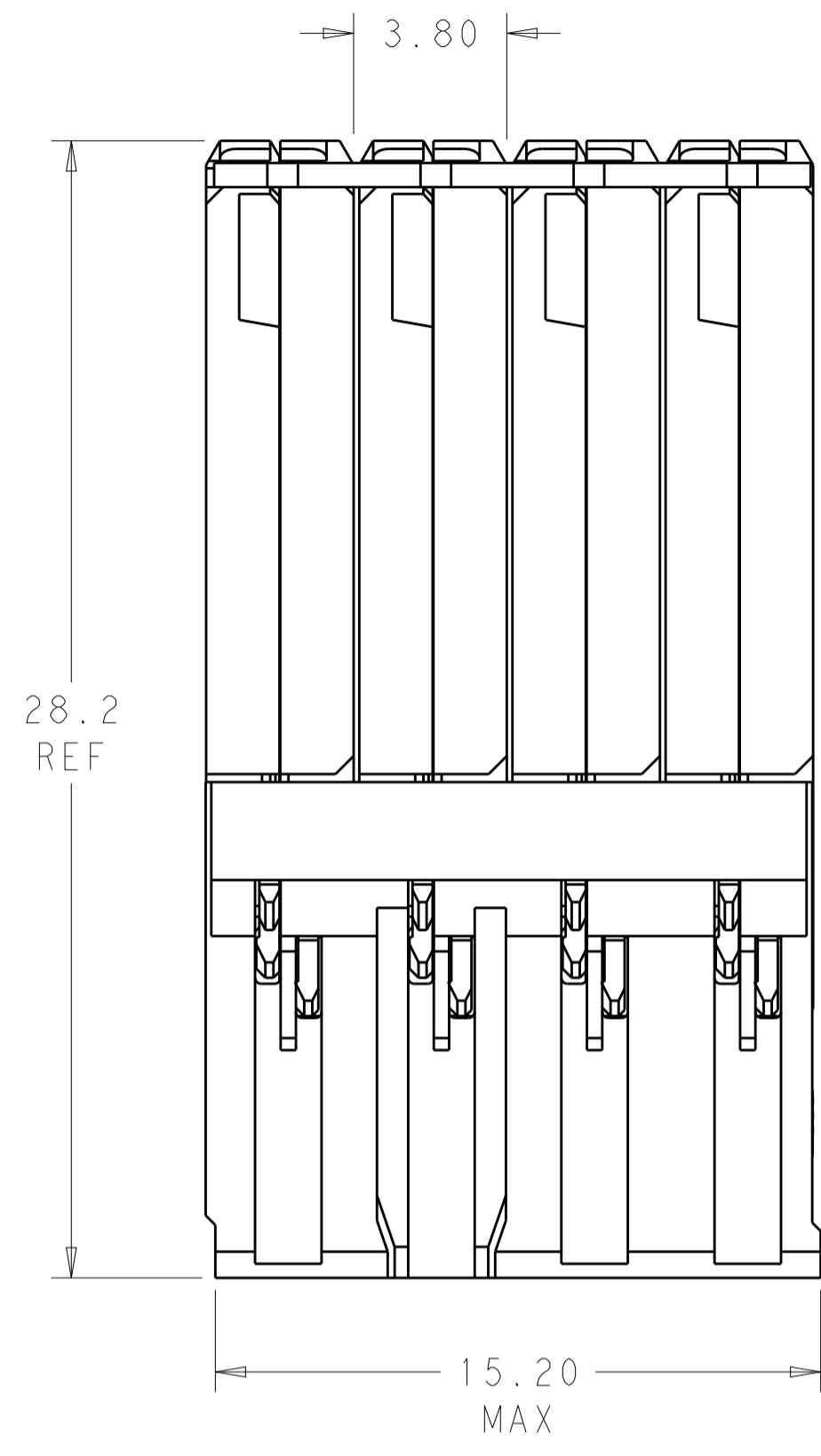
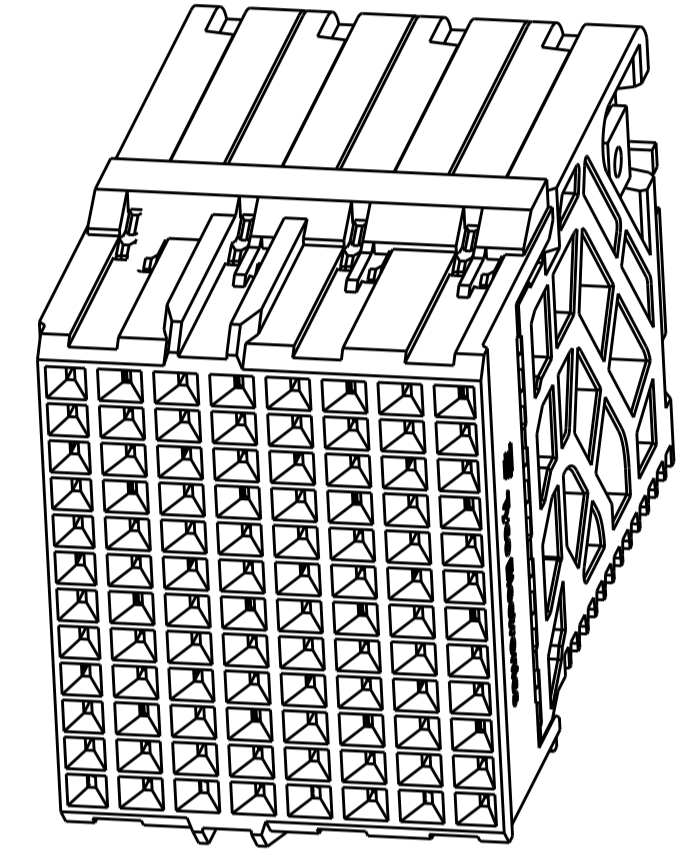


LOC	DIST	REVISIONS					
		P	LTN	DESCRIPTION	DATE	DWN	APVD
AD	00	B1		REVISED PER ECO-14-018036	17FEB2015	AP	DD



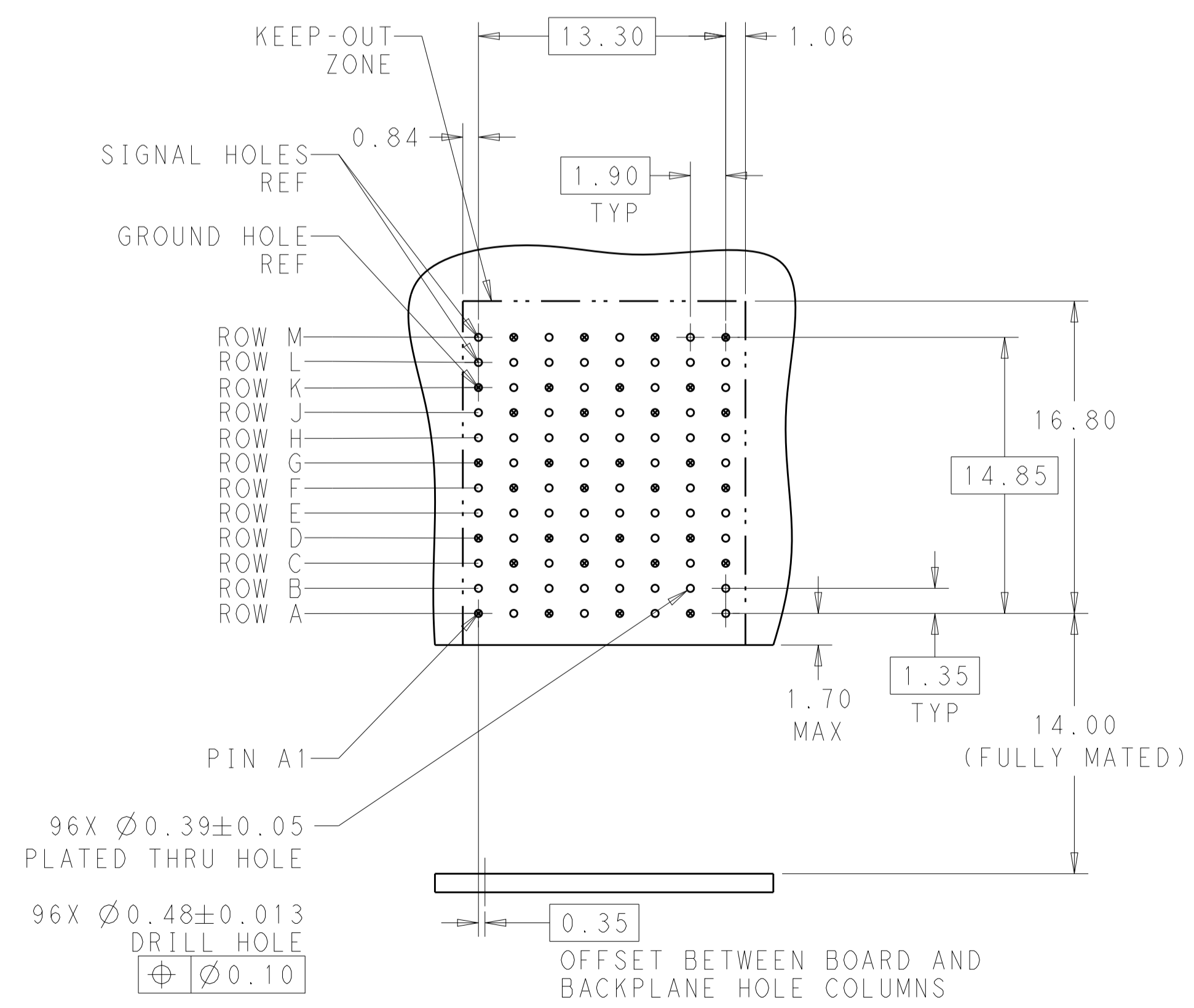
⚠ MATERIAL:
 HOUSING: LCP, GLASS FILLED, UL94V-0.
 TERMINALS: HIGH PERFORMANCE COPPER ALLOY.

⚠ FINISH:
 30μ" SELECTIVE GOLD IN CONTACT AREA. SELECTIVE TIN ON PCB TAILS, NICKEL OVERALL.



SCALE 4:1

REFER TO WWW.TE.COM FOR PRODUCT AVAILABILITY



96X $\varnothing 0.39 \pm 0.05$ PLATED THRU HOLE
 96X $\varnothing 0.48 \pm 0.013$ DRILL HOLE
 $\varnothing 0.10$

RECOMMENDED PCB LAYOUT
 MIN BOARD THICKNESS 1.0

NONE	⚠	2057417-1
KEY POSITION	FINISH	PART NUMBER

THIS DRAWING IS A CONTROLLED DOCUMENT.		DWN - 18MAY2011	TE Connectivity	
DIMENSIONS: mm		CHK D. DIXON 18MAY2011		
TOLERANCES UNLESS OTHERWISE SPECIFIED:		APVD D. DIXON 18MAY2011		
0 PLC ±		NAME		
1 PLC ±0.2		PRODUCT SPEC		
2 PLC ±0.13		APPLICATION SPEC	IMPACT, 4 PAIR, DAUGHTERCARD 8 COLUMN, UNGUIDED, SIGNAL MODULE, 0.39 EYELET	
3 PLC ±		SIZE	A100779C=2057417	
4 PLC ±		WEIGHT	RESTRICTED TO	
ANGLES		CUSTOMER DRAWING	SCALE 6:1 SHEET 1 OF 1 REV B1	
FINISH SEE TABLE				