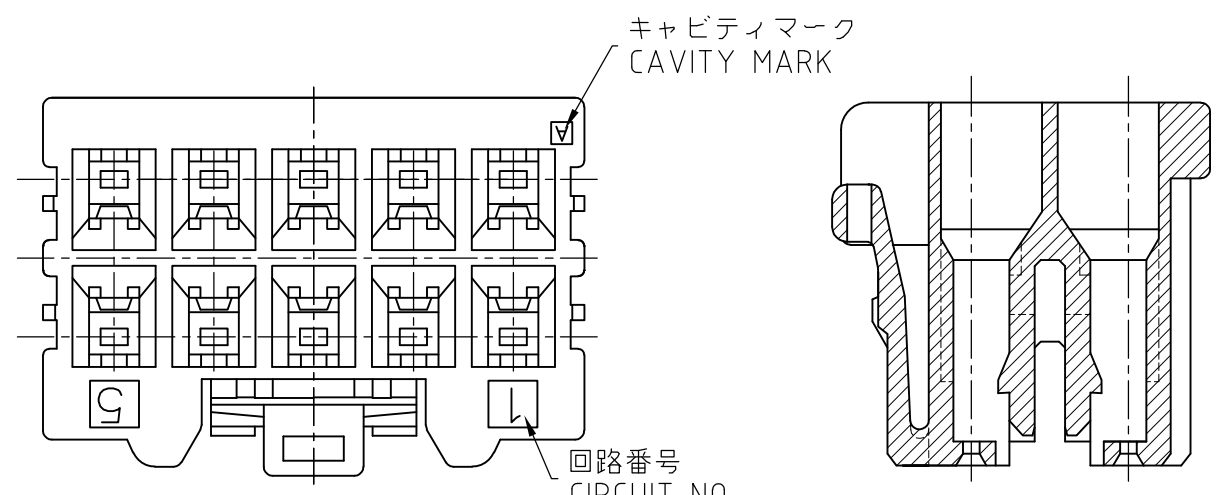


THIS DRAWING IS UNPUBLISHED. RELEASED FOR PUBLICATION  
 © COPYRIGHT BY TYCO ELECTRONICS CORPORATION. ALL RIGHTS RESERVED.

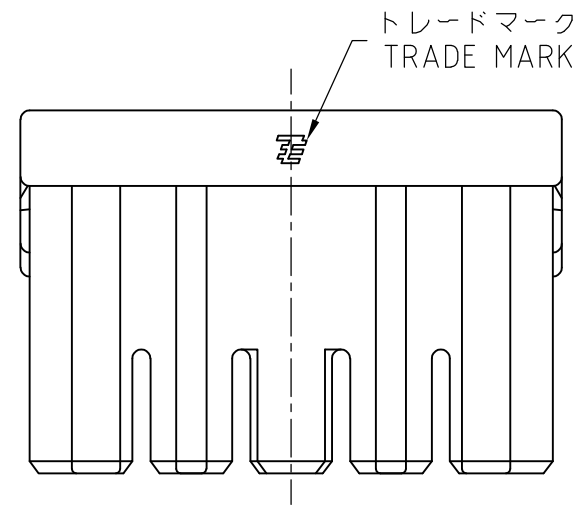
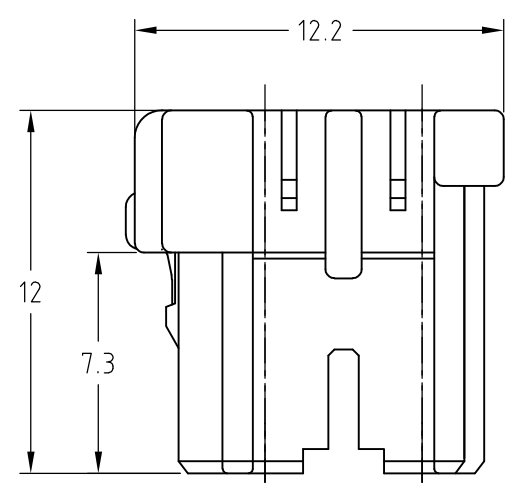
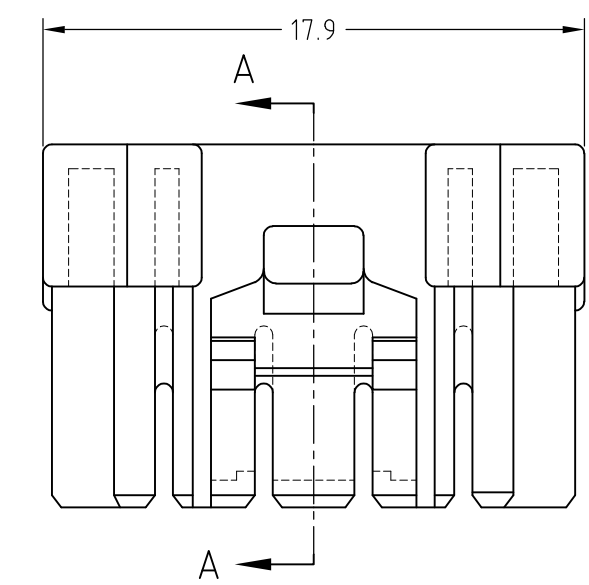
| LOC | DIST | REVISIONS |     |                           |         |     |      |
|-----|------|-----------|-----|---------------------------|---------|-----|------|
|     |      | P         | LTR | DESCRIPTION               | DATE    | DWN | APVD |
| J   | —    |           | B1  | REVISED PER ECR-10-019980 | 04OCT10 | HMR | TM   |



断面 A-A  
SECT A-A

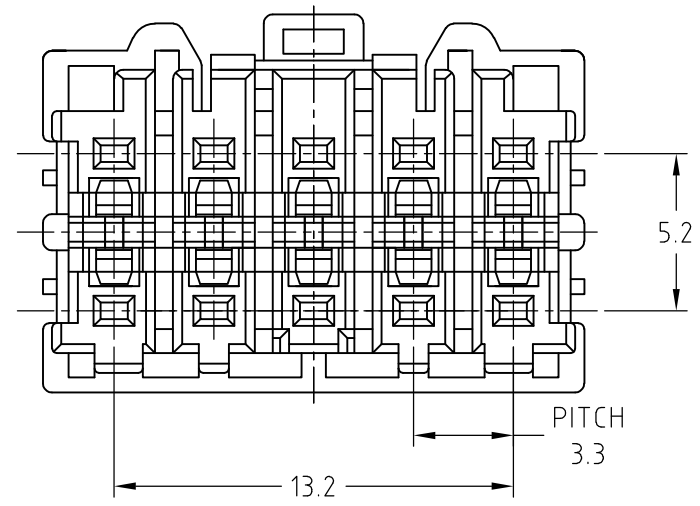
TABLE

|              |                               |
|--------------|-------------------------------|
| プラグハウジング     | 6/6ナイロンガラス強化UL94V-0           |
| PLUG HOUSING | 6/6NYLON GRASS FILLED UL94V-0 |
| 名前 (NAME)    | 材料 (MATERIAL)                 |



- 注
- ① かん合相手型番：  
ヘッダーアッセンブリ：SEE TABLE
  - ② 適用端子型番：  
リセ コンタクト：1827395-1

- NOTES
- ① MATING CONN. P/N  
HEADER ASSEMBLY:SEE TABLE
  - ② APPLICABLE CONTACT P/N:  
REC CONTACT:1827395-1



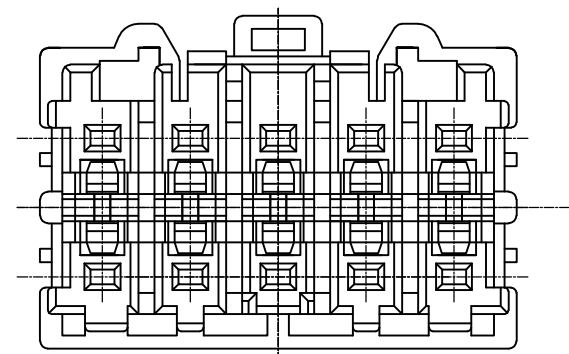
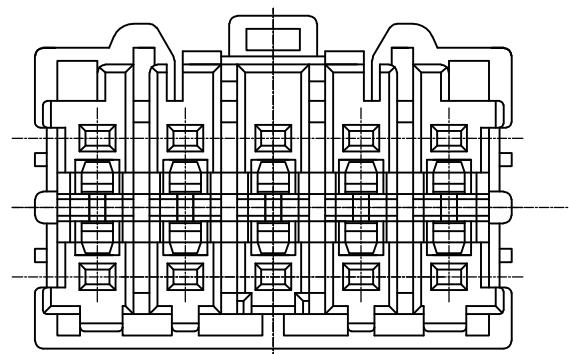
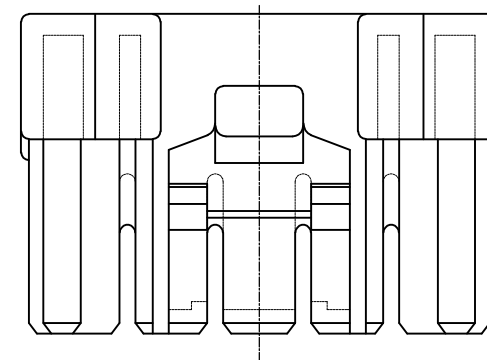
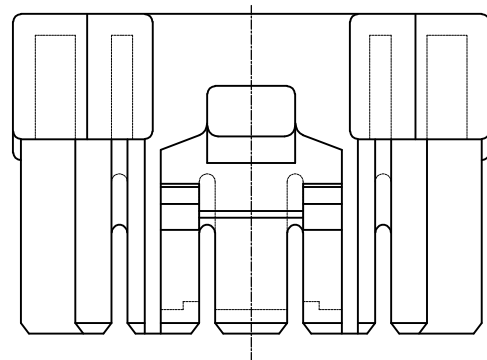
|                             |        |                           |                   |
|-----------------------------|--------|---------------------------|-------------------|
| 2-1939983-3                 | TYPE C | 青色<br>BLUE                | 2-1939984-3       |
| 1939983-1                   | TYPE A | 自然色<br>NATURAL            | 1939984-1         |
| かん合相手型番<br>MATING CONN. P/N | ①      | キーイング形状<br>TYPE OF KEYING | 色調<br>COLOR       |
|                             |        |                           | 型番<br>PART NUMBER |

|  |   |  |  |                    |
|--|---|--|--|--------------------|
| THIS DRAWING IS A CONTROLLED DOCUMENT. |   | DWN<br>J.SATO<br>13OCT2006             | Tyco Electronics AMP K.K.<br>Kawasaki, Japan           |                    |
| DIMENSIONS:<br>単位： 耗<br>mm             | TOLERANCES UNLESS<br>OTHERWISE SPECIFIED:<br>一般公差 | CHK<br>N.YAMASAKI<br>13OCT2006         | NAME<br>名称   |                    |
|  |   | APVD<br>N.YAMASAKI<br>13OCT2006        | GRACE INERTIA CONNECTOR 3.3<br>PLUG HOUSING 10POS 2ROW |                    |
| MATERIAL<br>材料<br>SEE TABLE            | FINISH<br>仕上                                      | PRODUCT SPEC<br>製品規格<br>108-78231      | SIZE<br>A3   | CAGE CODE<br>00779 |
|  |   | APPLICATION SPEC<br>取付適用規格<br>114-5372 | DRAWING NO<br>番号<br>G-1939984                          | RESTRICTED TO<br>— |
| CUSTOMER DRAWING                       |   | WEIGHT                                 | SCALE<br>尺度 4:1  | SHEET<br>1 OF 2    |
|  |   |  |  | REV<br>B1          |

THIS DRAWING IS UNPUBLISHED. RELEASED FOR PUBLICATION  
 © COPYRIGHT - BY TYCO ELECTRONICS CORPORATION. ALL RIGHTS RESERVED.

| LOC | DIST | REVISIONS<br>変更 |     |             |      |     |      |
|-----|------|-----------------|-----|-------------|------|-----|------|
| J   | -    | P               | LTR | DESCRIPTION | DATE | DWN | APVD |
|     |      | -               |     | SEE SHEET 1 | -    | -   | -    |

キーイングタイプ  
TYPE OF KEYING



TYPE A

TYPE C

|  |  |                            |  |                  |               |
|--|--|----------------------------|--|------------------|---------------|
| THIS DRAWING IS A CONTROLLED DOCUMENT.         |  | DWN                        | Tyco Electronics AMP K.K.<br>Kawasaki, Japan |                  |               |
| DIMENSIONS:<br>単位: 寸<br>mm                     |  | CHK                        | NAME<br>名称                                   |                  |               |
| TOLERANCES UNLESS OTHERWISE SPECIFIED:<br>一般公差 |  | APVD                       | PRODUCT SPEC<br>製品規格                         |                  |               |
| 0 PLC ± 0.3                                    |  | APPLICATION SPEC<br>取付適用規格 |  | SIZE             | RESTRICTED TO |
| 1 PLC ± 0.3                                    |  | WEIGHT                     |  | CAGE CODE        |               |
| 2 PLC ± 0.3                                    |  | CUSTOMER DRAWING           |  | DRAWING NO<br>番号 |               |
| 3 PLC ±  |  |                            |  | A3 00779         |               |
| 4 PLC ±  |  |                            |  | G-1939984        |               |
| ANGLES ±                                       |  |                            |  | SCALE<br>尺度 4:1  | SHEET 2 OF 2  |
| MATERIAL<br>材料<br>SEE TABLE                    |  |                            |  | REV B1           |               |
| FINISH<br>仕上                                   |  |                            |  |                  |               |