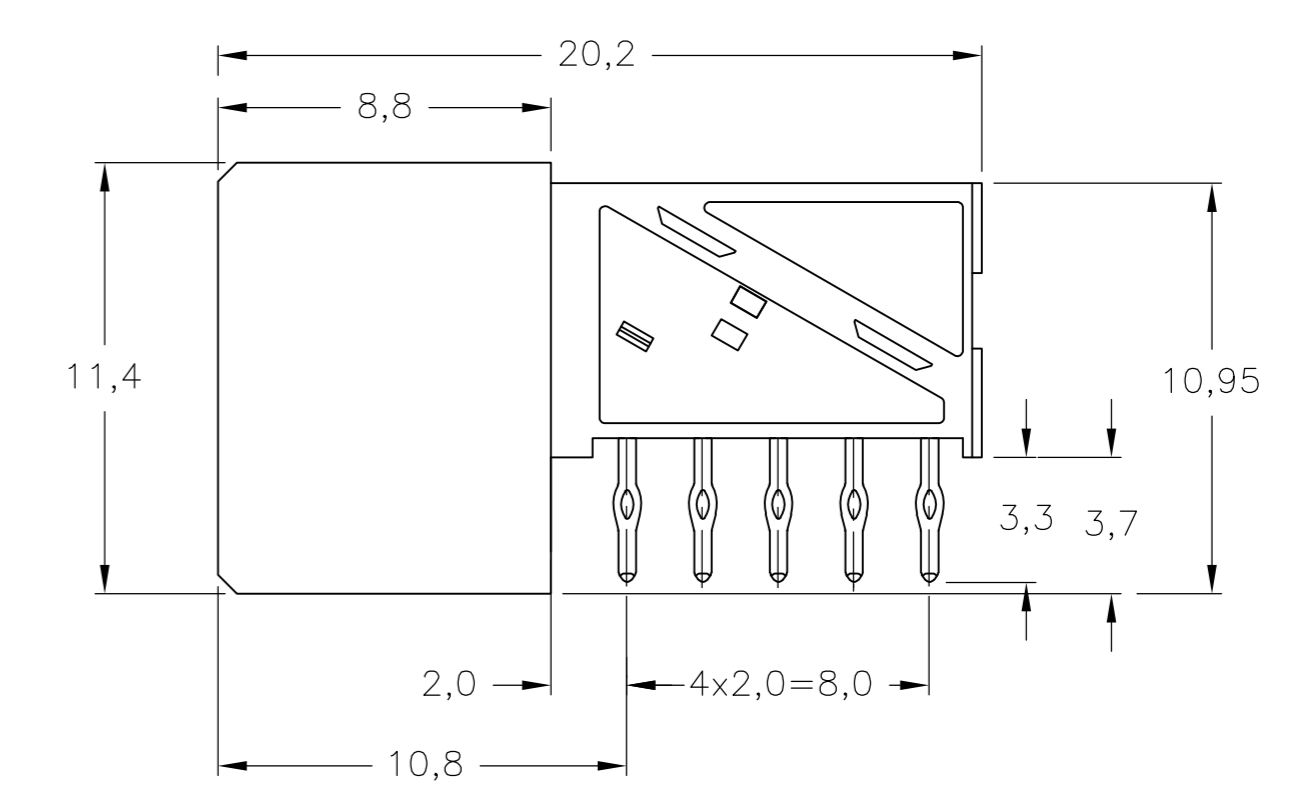
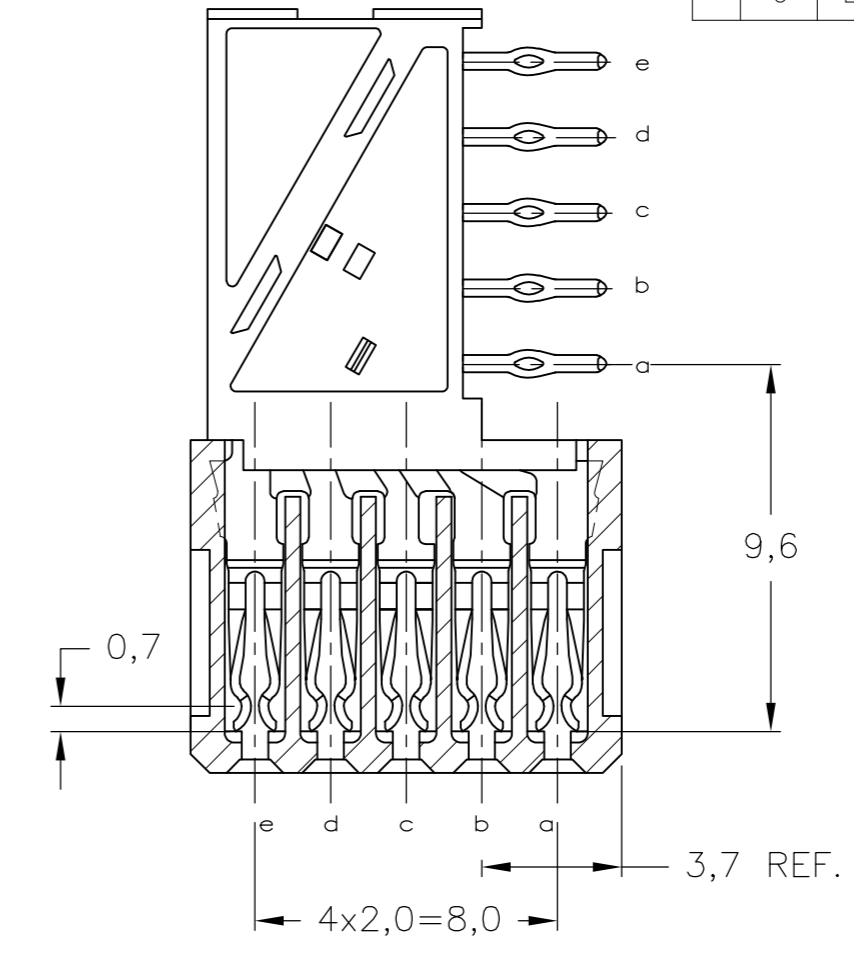
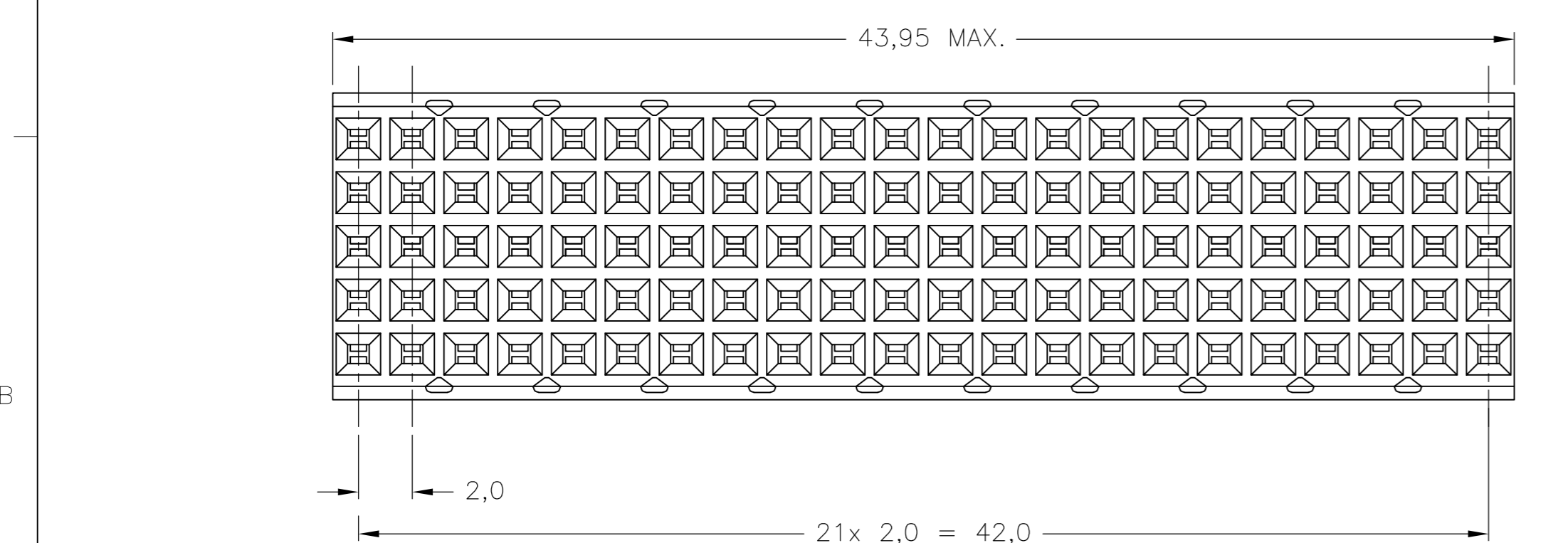
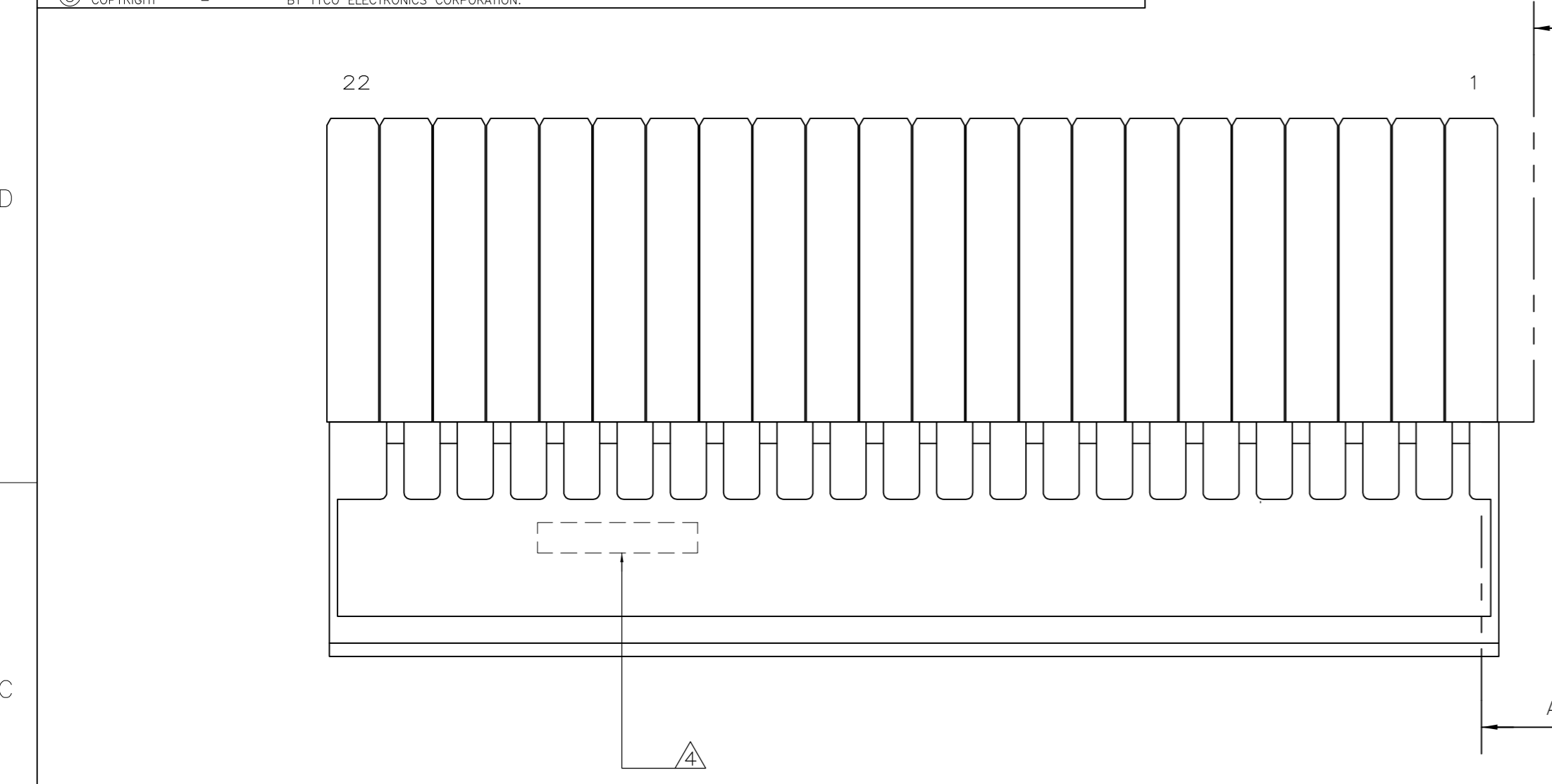
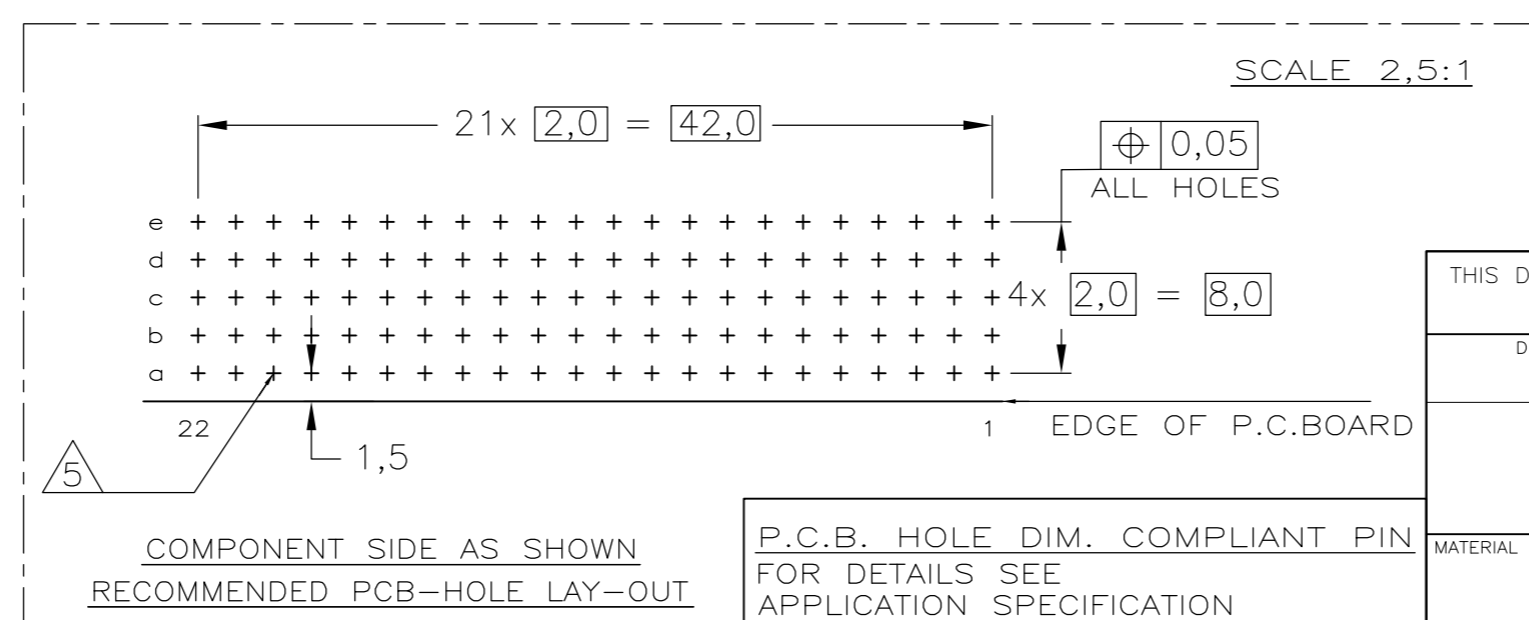


THIS DRAWING IS UNPUBLISHED. RELEASED FOR PUBLICATION
 © COPYRIGHT BY TYCO ELECTRONICS CORPORATION. ALL RIGHTS RESERVED.

LOC		DIST		REVISIONS			
P	LTR	DESCRIPTION	DATE	DWN	APVD		
A		FIRST ISSUE	23AUG2007	JvH	JB		
B		ECR-10-018652	10SEP10	SW	MQW		
C		ECO-11-024491	13DEC11	SY	MQW		



- NOTES:**
- MATERIAL CONTACT; PHOSPHORBRONZE
MATERIAL HOUSING; GLASSFILLED POLYESTER (GRAY)
UL-RATING 94V0.
 - GENERAL PLATING SPECIFICATION: UNDERPLATING
(ENTIRE CONTACT): 1,27µm NICKEL MIN. AND COMPLIANT
PIN SECTION: 0,5µm TIN MIN.
FOR PLATING OF MATING SURFACES SEE APPLICABLE
SPECIFICATION REFERENCE FOR EACH DASH NUMBER.
 - CONFORMS TO ALL TESTING ACCORDING IEC 61076-4-101
PERFORMANCE LEVEL 2.
 - CONNECTOR PRINTED WITH PARTNUMBER AND DATECODE
 - PLATED-THROUGH HOLES AT 2x2mm
SQUARE GRID. 110 HOLES
 - FITS WITH INTEGRATED GROUND RETURN UPPERSHIELD
BASIC P.N. 5352151



THIS DRAWING IS A CONTROLLED DOCUMENT.

DIMENSIONS:	TOLERANCES UNLESS OTHERWISE SPECIFIED:
mm	±0.2
Ø	±0.2
PLG	±
PLG	±
PLG	±
PLG	±
PLG	±
ANGLES	±
FINISH	

FINISH	MATERIAL	PARTNUMBER
2 3	1	1857992-1
Tyco Electronics Corporation 's-Hertogenbosch, 5222AR-32		
Z-PACK 2mm HM 110 POS. FEMALE DAUGHTER CARD CONN. (22 COLUMNS)		
SIZE	CAGE CODE	DRAWING NO
A2	00779	C=1857992
CUSTOMER DRAWING		RESTRICTED TO
SCALE 5:1		SHEET 1 OF 1
		REV C