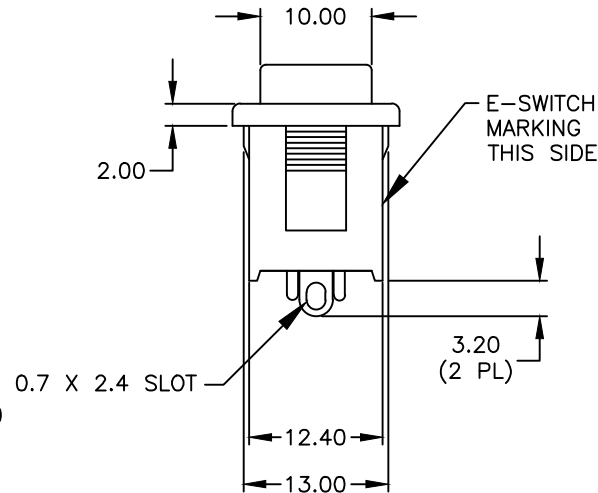
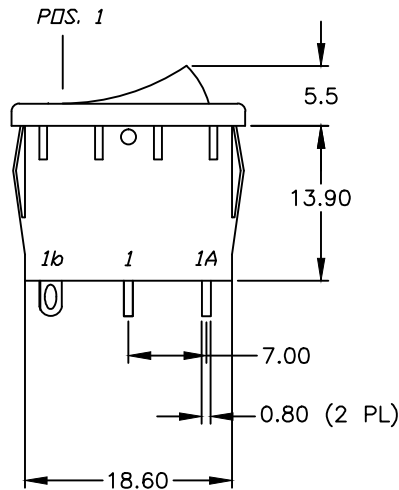
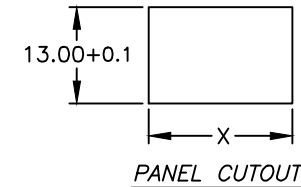


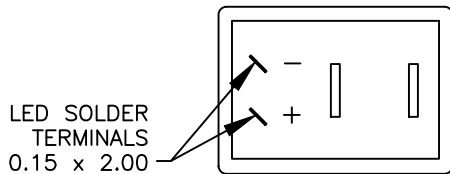
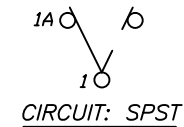
GREEN L.E.D

| PARAMETERS | SYMBOL | MAX. | TYP. | UNITS |
|----------------------|-------------|------|------|---------|
| POWER DISSIPATION | P_D | 80 | | mW |
| AVE FORWARD CURRENT | I_{AF} | -- | | mA |
| PEAK FORWARD CURRENT | I_{PF} | 100 | | mA |
| REVERSE VOLTAGE | V_R | 5 | | V |
| FORWARD VOLTAGE | V_F | 2.6 | 2 | V |
| REVERSE CURRENT | I_R | | 100 | μA |
| EMISSION WAVELENGTH | λ_P | | 570 | nm |
| LUMINOUS INTENSITY | I_V | | 30 | mcd |

| PANEL THICKNESS | X |
|-----------------|-----------|
| 0.75-1.25 | 19.2 -0.1 |
| 1.25-2.0 | 19.4 -0.1 |
| 2.0-3.0 | 19.8 -0.1 |



| SWITCH FUNCTION | |
|-----------------|--------|
| PDS. 1 | PDS. 2 |
| DN | OFF |
| 1-1a | OPEN |



NOTES:

1. ALL DIMENSIONS IN MM
2. GENERAL TOLERANCE: X.X=±0.4
X.XX=±0.25
3. TERMINAL NUMBERS FOR REF ONLY
4. RATING: 15A @ 125VAC OR 6A @ 250VAC
5. ELECTRIC LIFE: 10,000 cycles
6. INSULATION RESISTANCE: >1000 Mega Ω
7. DIELECTRIC STRENGTH: >1500 V 1 minute
>3000 V between poles



| REV. | ECN No. | DESCRIPTION | DATE | CHKD |
|------|---------|-----------------------------|---------|------|
| C | 22671 | remove + & - from side view | 1/11/17 | MW |
| B | 11502 | REVISED AND REDRAWN | 5/21/01 | CJB |

| | | | | |
|-------|----------|------------------------|---------|-----|
| TITLE | | R1966A BLK BLK E S GRN | | |
| SCALE | DATE | DR | DWG | REV |
| 1.5:1 | 10/16/96 | MM | M301215 | C |

THE INFORMATION CONTAINED IN THIS DOCUMENT IS PROPRIETARY TO E-SWITCH AND IS NOT TO BE COPIED OR TRANSFERRED