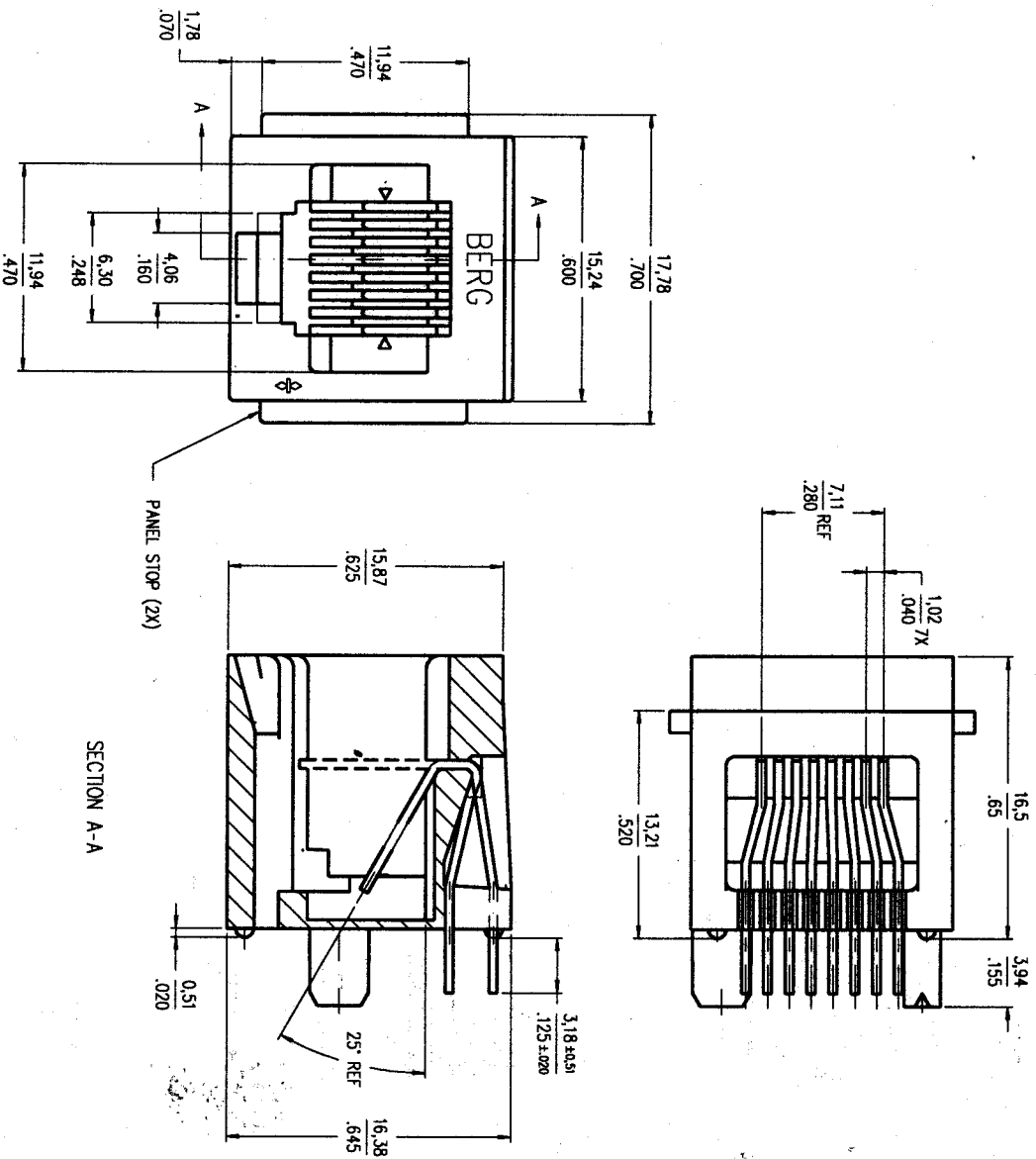
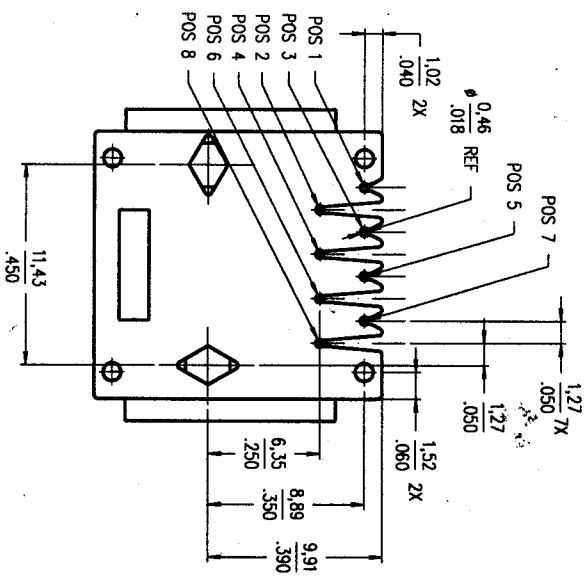




PRODUCT NO.
SEE TABLE



SECTION A-A



Form no. 7330-001-103

REV	DATE	BY	CHKD	DESCRIPTION
1	11/22/78	MM	MM	INITIAL RELEASE
2	11/22/78	MM	MM	REVISION

modl code	customer	part no	date	status
FCI	88785	11/22/78	11/22/78	Released

FCI	www.fciconsult.com
High Profile 8 Pos Vert.	P.C.B. MOD JACK ASSY
Product No. 88785	Rev. 3.5:1
Sheet 1 of 2	1 of 2

PDM: Rev:M STATUS: Released

Printed: 25.21.2017

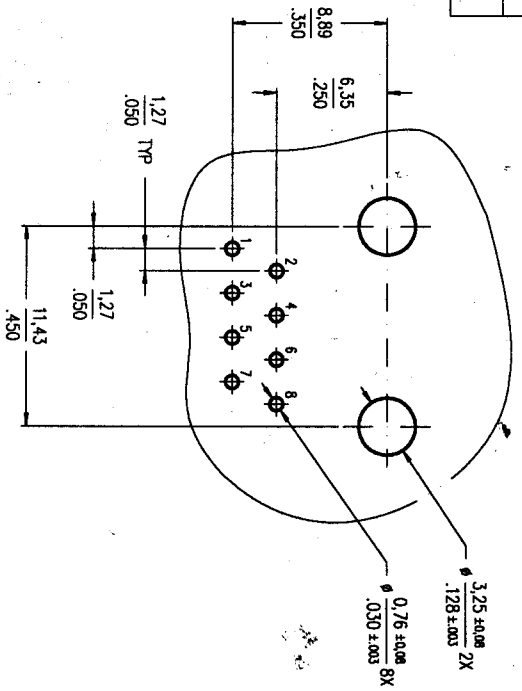
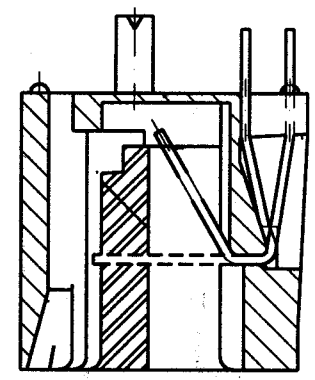
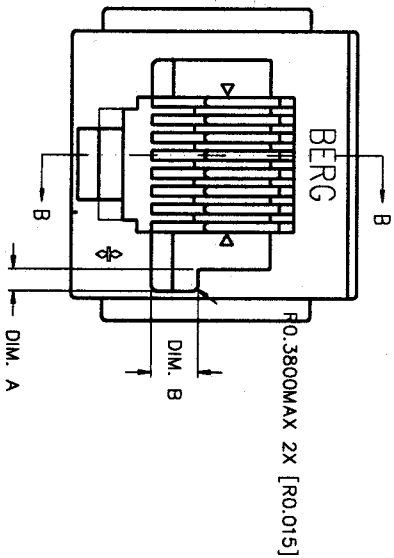


PRODUCT NO.	DIM. A	DIM. B	STYLE	POSITIONS LOADED	CONTACT PLATING	NOTES	COLOR	PANEL STOP
88785-001	-	-	UNKEYED	ALL	1,27um / 50u" Au	-	BLACK	YES
-001LF	-	-	UNKEYED	ALL	GXT	-	BLACK	YES
-002	-	-	UNKEYED	ALL	1,27um / 50u" Au	NOT TOOLED	BLACK	YES
-002LF	-	-	UNKEYED	ALL	GXT	-	BLACK	YES
-003	1,25 / .050	2,69 / .106	KEYED	ALL	1,27um / 50u" Au	NOT TOOLED	BLACK	YES
-003LF	1,25 / .050	2,69 / .106	KEYED	ALL	GXT	-	BLACK	YES
-004	1,25 / .050	2,69 / .106	KEYED	ALL	GXT	NOT TOOLED	BLACK	YES
-004LF	1,25 / .050	2,69 / .106	KEYED	ALL	GXT	-	BLACK	YES
-005P	-	-	UNKEYED	ALL	GXT	-	WHITE	YES
-005PLF	-	-	UNKEYED	ALL	GXT	-	WHITE	YES
-006P	-	-	UNKEYED	ALL	GXT	-	WHITE	NO
-006PLF	-	-	UNKEYED	ALL	GXT	-	WHITE	NO
-007	-	-	UNKEYED	ALL	GXT	-	BLACK	NO
-007LF	-	-	UNKEYED	ALL	GXT	-	BLACK	NO

LEAD FREE PRODUCT NO.

NOTE :

- SPECIAL PACKAGING: (BUS-14-271)
- GXT IS 0,76um / 30u" MIN GXT WITH Au FLASH OVER
- 1,27um / 50u" MIN NI
- MATERIAL AND COLOUR DESCRIPTION, P/N WITH DASH 005P & 006P - POCAN B4235 WHITE 01-028 (REF RAL 1013)
- THIS PRODUCT MEETS EUROPEAN UNION DIRECTIVES AND OTHER COUNTRY REGULATIONS AS DESCRIBED IN GS-22-008 IF LF P/N PACKAGING MEETS GS-14-920 SPECIFICATION
- THE HOUSING WILL WITHSTAND EXPOSURE TO 260°C PEAK TEMPERATURE FOR 5 SECONDS IN A WAVE SOLDER APPLICATION WITH A 1,57mm MINIMUM THICK CIRCUIT BOARD



BOARD LAYOUT
VIEWED FROM TOP

matl code	Information unless otherwise specified	CUSTOMER COPY
Rev	date	Project
1	11/02/03	88785
2	11/02/03	88785
3	11/02/03	88785
4	11/02/03	88785
5	11/02/03	88785
6	11/02/03	88785
7	11/02/03	88785
8	11/02/03	88785
9	11/02/03	88785
10	11/02/03	88785
11	11/02/03	88785
12	11/02/03	88785
13	11/02/03	88785
14	11/02/03	88785
15	11/02/03	88785
16	11/02/03	88785
17	11/02/03	88785
18	11/02/03	88785
19	11/02/03	88785
20	11/02/03	88785
21	11/02/03	88785
22	11/02/03	88785
23	11/02/03	88785
24	11/02/03	88785
25	11/02/03	88785
26	11/02/03	88785
27	11/02/03	88785
28	11/02/03	88785
29	11/02/03	88785
30	11/02/03	88785
31	11/02/03	88785
32	11/02/03	88785
33	11/02/03	88785
34	11/02/03	88785
35	11/02/03	88785
36	11/02/03	88785
37	11/02/03	88785
38	11/02/03	88785
39	11/02/03	88785
40	11/02/03	88785
41	11/02/03	88785
42	11/02/03	88785
43	11/02/03	88785
44	11/02/03	88785
45	11/02/03	88785
46	11/02/03	88785
47	11/02/03	88785
48	11/02/03	88785
49	11/02/03	88785
50	11/02/03	88785

PDM: Rev:M STATUS: Released
 HIGH PROFILE 8 POS VERT. P.C.B. MOD JACK ASSY
 FCI
 PHILIPPO 2007.2017