

10 9 8 7 6 5 4 3 2 1

F

E

D

C

B

A

F

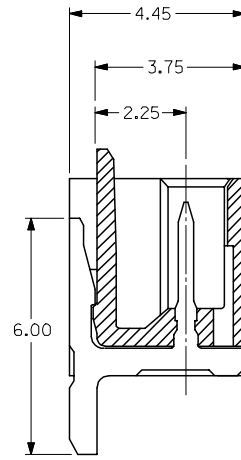
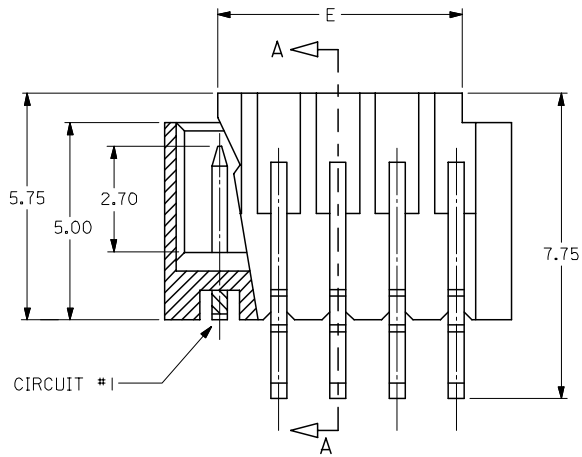
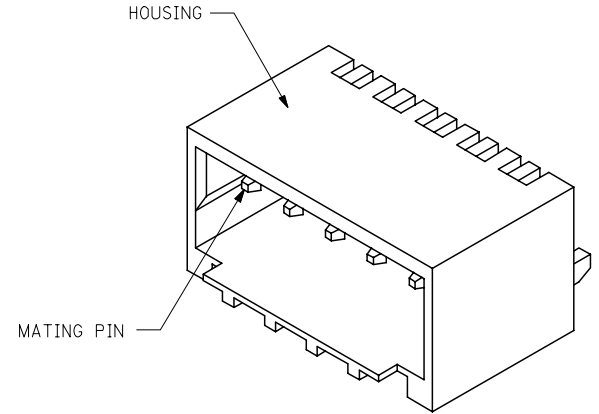
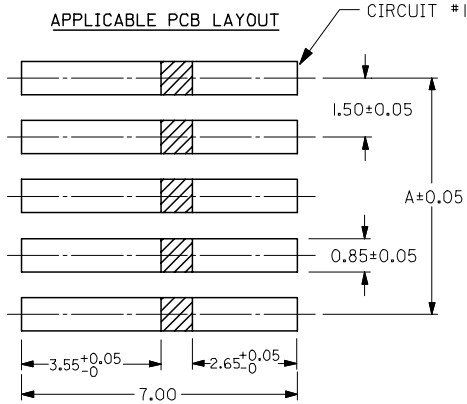
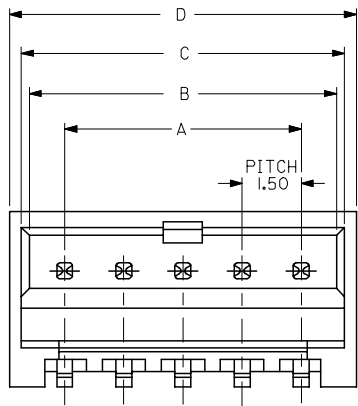
E

D

C

B

A



SECTION A-A

NOTES:

- MATERIALS:  
HOUSING : GLASS-FILLED NYLON (PA46), UL RATED 94V-0, COLOR: BEIGE  
PINS: BRASS ALLOY, C26000
- PLATING: 2.54MM MIN. TIN/LEAD OR TIN OVER 1.27MM MIN. NICKEL.
- DRAWING SHOWS PLUG WITH 5 CIRCUITS.
- HEADER TO BE USED WITH CRIMP HOUSING, P/N 87439 AND CRIMP TERMINAL, P/N 87421

UPDATE REVISION	DESCRIPTION
EC NO: S2005-0714	2005/10/19
DRWN:KSEE	2005/10/19
CHKD:BLHOW	2005/11/05
APPR:PTLIM	
C1	REV

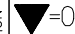
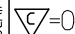
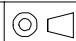

QUALITY SYMBOLS	▽=0
	∇=0

GENERAL TOLERANCES (UNLESS SPECIFIED)	mm	INCH
	4 PLACES ± ---	± ---
	3 PLACES ± ---	± ---
	2 PLACES ± 0.20	± ---
	1 PLACE ± ---	± ---
	ANGULAR ± 3 °	
DRAFT WHERE APPLICABLE MUST REMAIN WITHIN DIMENSIONS		

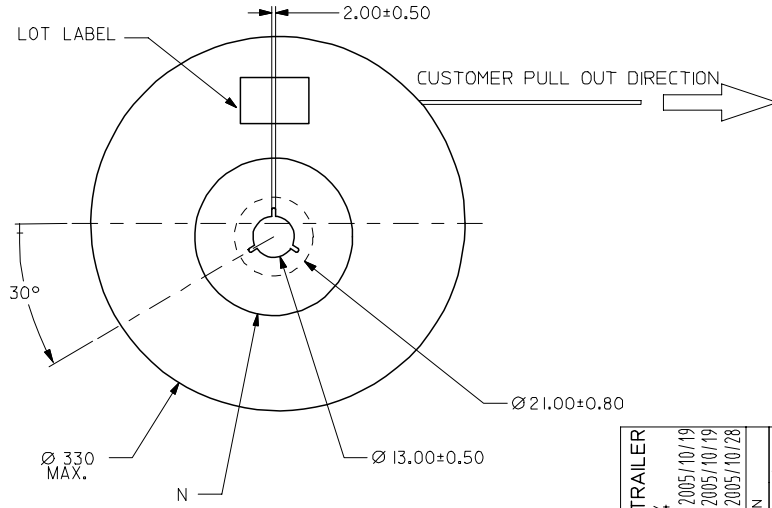
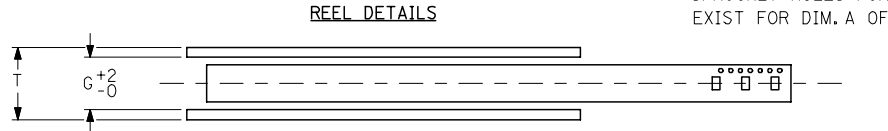
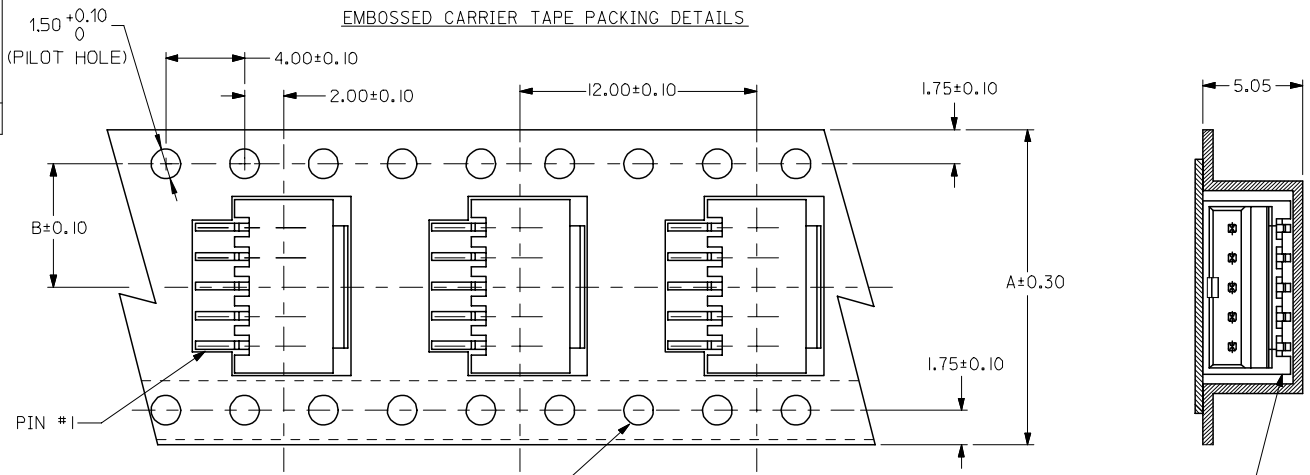
DIMENSION STYLE		SCALE	DESIGN UNITS	THIRD ANGLE PROJECTION
MM ONLY		NTS	METRIC	
DRAWN BY	DATE	TITLE		
KCLING	1994/04/08	SALES DRAWING		
CHECKED BY	DATE	1.50MM PITCH, W-T-B		
SKTOH	1994/04/21	HEADER, R/A, SMT		
APPROVED BY	DATE	MOLEX INCORPORATED		
ROYWONG	1994/04/24			
MATERIAL NO.	DOCUMENT NO.	SHEET NO.		
SEE TABLE	SD-87438-**31	1 OF 3		
SIZE A3	THIS DRAWING CONTAINS INFORMATION THAT IS PROPRIETARY TO MOLEX INCORPORATED AND SHOULD NOT BE USED WITHOUT WRITTEN PERMISSION			

9 8 7 6 5 4 3 2 1

	10	9	8	7	6	5	4	3	2	1								
F			HOUSING COLOUR	LEAD FREE TERMINAL P/N	HEADER IN TUBE PACKING	HEADER IN TAPE & REEL	TIN/ LEAD TERMINAL P/N	HEADER IN TUBE PACKING	HEADER IN TAPE & REEL	STATUS	CKT SIZE	A	B	C	D	E	F	
E			BIEGE	87438-8084	87438-0242	87438-0243	87438-8082	87438-0232	87438-0233	M	2	1.50	3.30	3.70	4.30	1.70		
					87438-0342	87438-0343		87438-0332	87438-0333	M	3	3.00	4.80	5.20	5.80	3.20		
					87438-0442	87438-0443		87438-0432	87438-0433	M	4	4.50	6.30	6.70	7.30	4.70		
					87438-0542	87438-0543		87438-0532	87438-0533	M	5	6.00	7.80	8.20	8.80	6.20		
					87438-0642	87438-0643		87438-0632	87438-0633	M	6	7.50	9.30	9.70	10.30	7.70		
					87438-0742	87438-0743		87438-0732	87438-0733	M	7	9.00	10.80	11.20	11.80	9.20		
					87438-0842	87438-0843		87438-0832	87438-0833	M	8	10.50	12.30	12.70	13.30	10.70		
					87438-0942	87438-0943		87438-0932	87438-0933	M	9	12.00	13.80	14.20	14.80	12.20		
					87438-1042	87438-1043		87438-1032	87438-1033	M	10	13.50	15.30	15.70	16.30	13.70		
					87438-1142	87438-1143		87438-1132	87438-1133	M	11	15.00	16.80	17.20	17.80	15.20		
					87438-1242	87438-1243		87438-1232	87438-1233	M	12	16.50	18.30	18.70	19.30	16.70		
					87438-1342	87438-1343		87438-1332	87438-1333	M	13	18.00	19.80	20.20	20.80	18.20		
					87438-1442	87438-1443		87438-1432	87438-1433	M	14	19.50	21.30	21.70	22.30	19.70		
					87438-1542	87438-1543		87438-1532	87438-1533	M	15	21.00	22.80	23.20	23.80	21.20		
D					LEAD FREE			TIN/LEAD										

<b>UPDATE REVISION</b> EC NO: S2005-0714 DRWN:SEE 2005/10/19 CHKD:BLW 2005/10/19 APPR:PTL IM 2005/10/27 C1	<b>QUALITY SYMBOLS</b>  = 0  = 0	<b>GENERAL TOLERANCES (UNLESS SPECIFIED)</b>		<b>DIMENSION STYLE</b> MM ONLY		<b>SCALE</b> NTS	<b>DESIGN UNITS</b> METRIC	 <b>THIRD ANGLE PROJECTION</b>	
		4 PLACES ± --- ± ---	DRAWN BY KCLING	DATE 1994/04/08	<b>TITLE</b> SALES DRAWING 1.50MM PTICH, W-T-B HEADER, R/A, SMT				
		3 PLACES ± --- ± ---	CHECKED BY SKTOH	DATE 1994/04/21					
		2 PLACES ± 0.20 ± ---	APPROVED BY ROYWONG	DATE 1994/04/21	 <b>MOLEX INCORPORATED</b>				
		1 PLACE ± --- ± ---	MATERIAL NO. SEE TABLE					DOCUMENT NO. SD-87438-**31	SHEET NO. 2 OF 3
DRAFT WHERE APPLICABLE MUST REMAIN WITHIN DIMENSIONS		SIZE A3		THIS DRAWING CONTAINS INFORMATION THAT IS PROPRIETARY TO MOLEX INCORPORATED AND SHOULD NOT BE USED WITHOUT WRITTEN PERMISSION					

15	44	20.20	100	44.40	50.40
11, 12, 13, 14	32	14.20	100	32.40	38.40
7, 8, 9, 10	24	11.50	100	24.40	30.40
2, 3, 4, 5, 6	16	7.50	100	16.40	22.40
CIRCUIT SIZE	A	B	N	G	T MAX



- NOTES:**
- LEADER AND TRAILER TAPE
  - PEELING OFF FORCE OF THE TOP TAPE: 20-80gf.  
 (PEELING DIRECTION AS SHOWN IN FOLLOWING FIGURE)
  - PACKAGING STANDARD IS AS PER EIA-481.
  - TAPE & REEL QUANTITY = 1000PCS/REEL
  - THE TAPE IS TREATED FOR ANTI-STATIC

<b>ADD LEADER &amp; TRAILER</b> EC NO: S2005-0714 DRWN:KSEE CHKD:BLHOW APPR:PTLIM 2005/10/19 2005/10/19 2005/10/28	<b>QUALITY SYMBOLS</b> $\nabla=0$ $\triangle=0$	<b>GENERAL TOLERANCES (UNLESS SPECIFIED)</b> <table border="1"> <thead> <tr> <th></th> <th>mm</th> <th>INCH</th> </tr> </thead> <tbody> <tr> <td>4 PLACES</td> <td><math>\pm</math> ---</td> <td><math>\pm</math> ---</td> </tr> <tr> <td>3 PLACES</td> <td><math>\pm</math> ---</td> <td><math>\pm</math> ---</td> </tr> <tr> <td>2 PLACES</td> <td><math>\pm 0.20</math></td> <td><math>\pm</math> ---</td> </tr> <tr> <td>1 PLACE</td> <td><math>\pm</math> ---</td> <td><math>\pm</math> ---</td> </tr> <tr> <td colspan="3">ANGULAR <math>\pm 3^\circ</math></td> </tr> </tbody> </table>		mm	INCH	4 PLACES	$\pm$ ---	$\pm$ ---	3 PLACES	$\pm$ ---	$\pm$ ---	2 PLACES	$\pm 0.20$	$\pm$ ---	1 PLACE	$\pm$ ---	$\pm$ ---	ANGULAR $\pm 3^\circ$			<b>DIMENSION STYLE</b> MM ONLY	<b>SCALE</b> NTS	<b>DESIGN UNITS</b> METRIC	<b>THIRD ANGLE PROJECTION</b>
		mm	INCH																					
	4 PLACES	$\pm$ ---	$\pm$ ---																					
	3 PLACES	$\pm$ ---	$\pm$ ---																					
2 PLACES	$\pm 0.20$	$\pm$ ---																						
1 PLACE	$\pm$ ---	$\pm$ ---																						
ANGULAR $\pm 3^\circ$																								
		DRAWN BY: KCL ING DATE: 1994/04/08 CHECKED BY: SKTOH DATE: 1994/04/21 APPROVED BY: ROYWONG DATE: 1994/04/24	<b>TITLE</b> SALES DRAWING 1.50MM PTICH, W-T-B HEADER, R/A, SMT																					
		MATERIAL NO. SEE TABLE	DOCUMENT NO. SD-87438-***31	<b>MOLEX INCORPORATED</b>																				
		DRAFT WHERE APPLICABLE MUST REMAIN WITHIN DIMENSIONS	SIZE A3	THIS DRAWING CONTAINS INFORMATION THAT IS PROPRIETARY TO MOLEX INCORPORATED AND SHOULD NOT BE USED WITHOUT WRITTEN PERMISSION																				