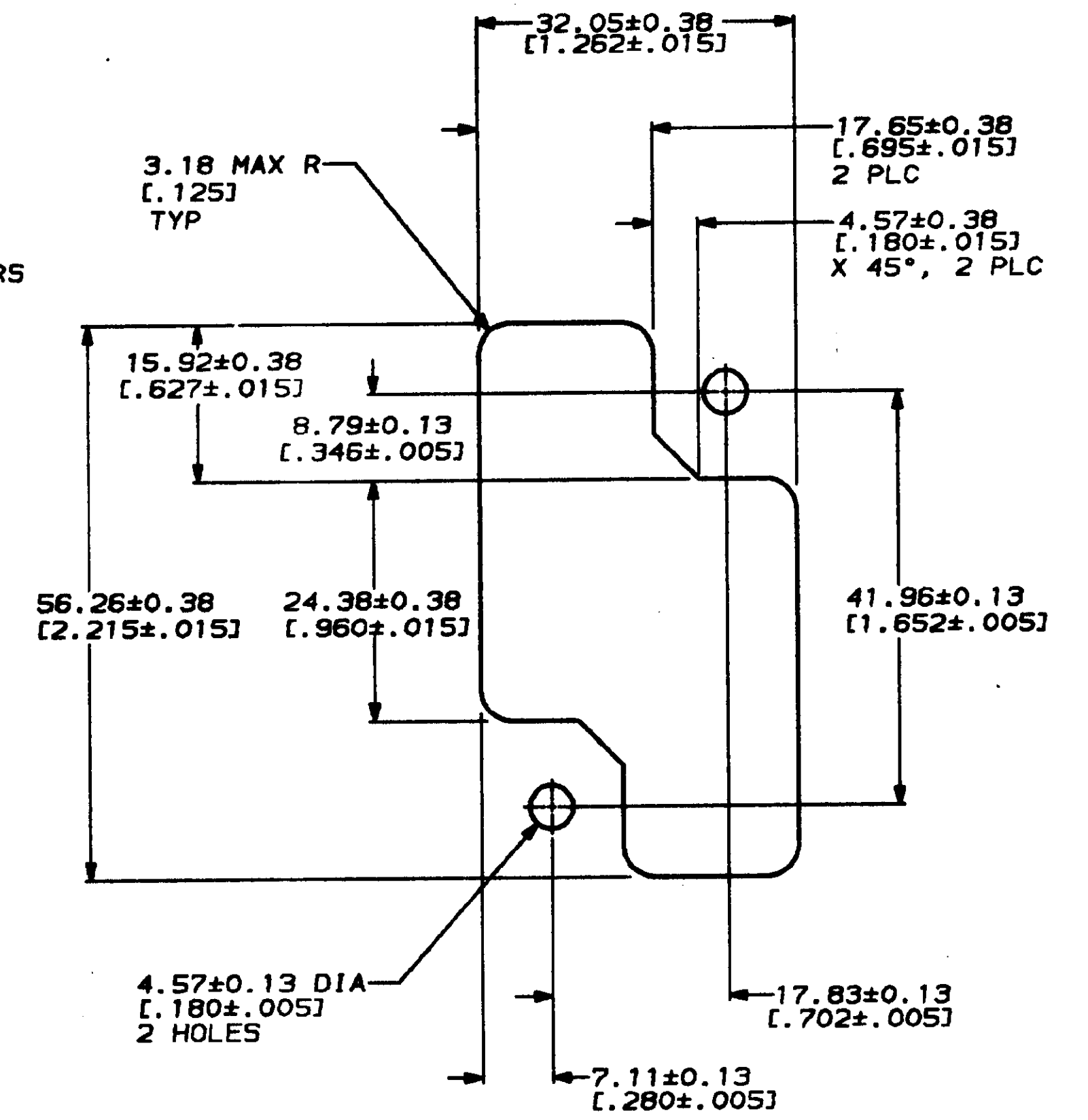
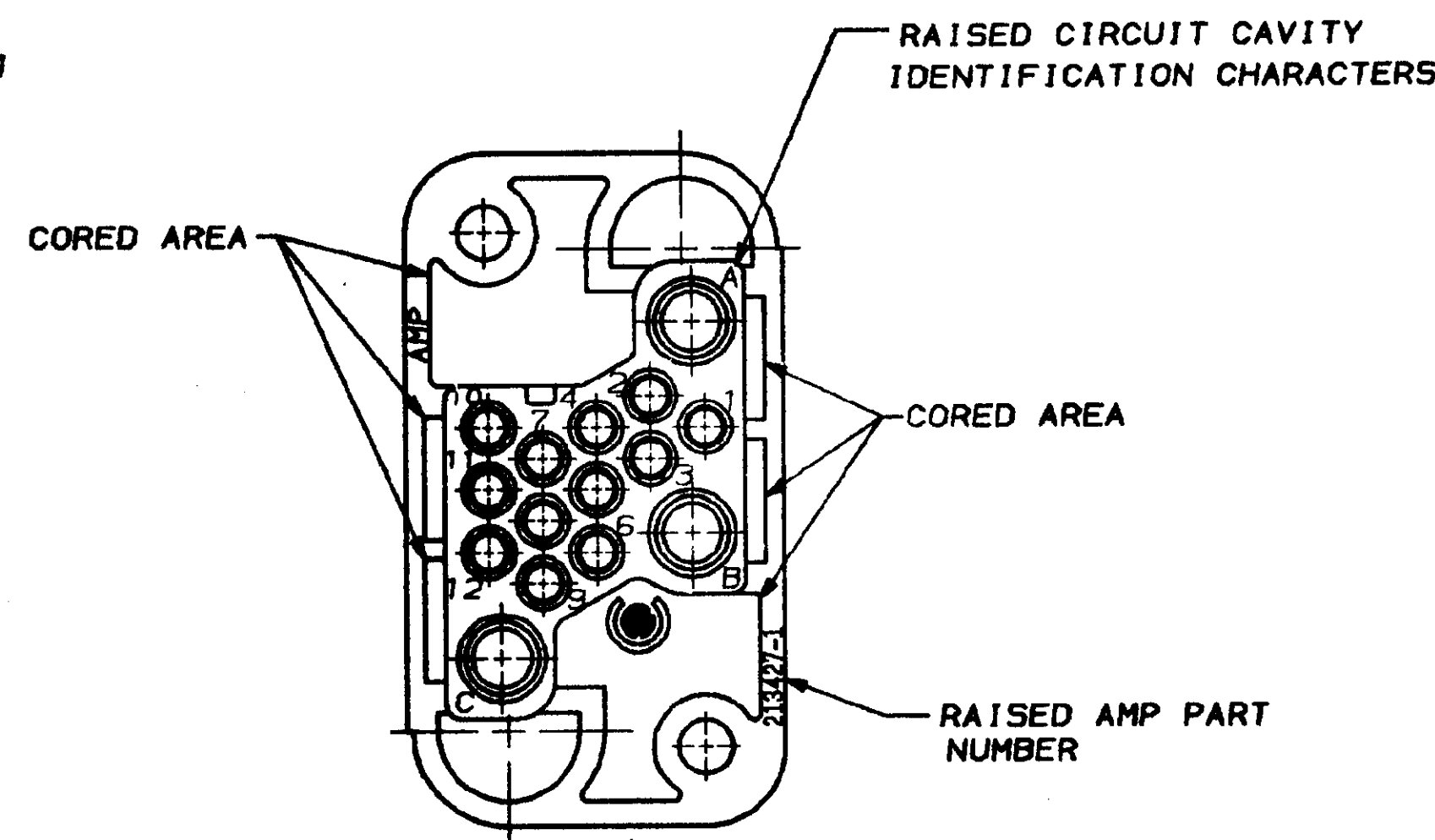
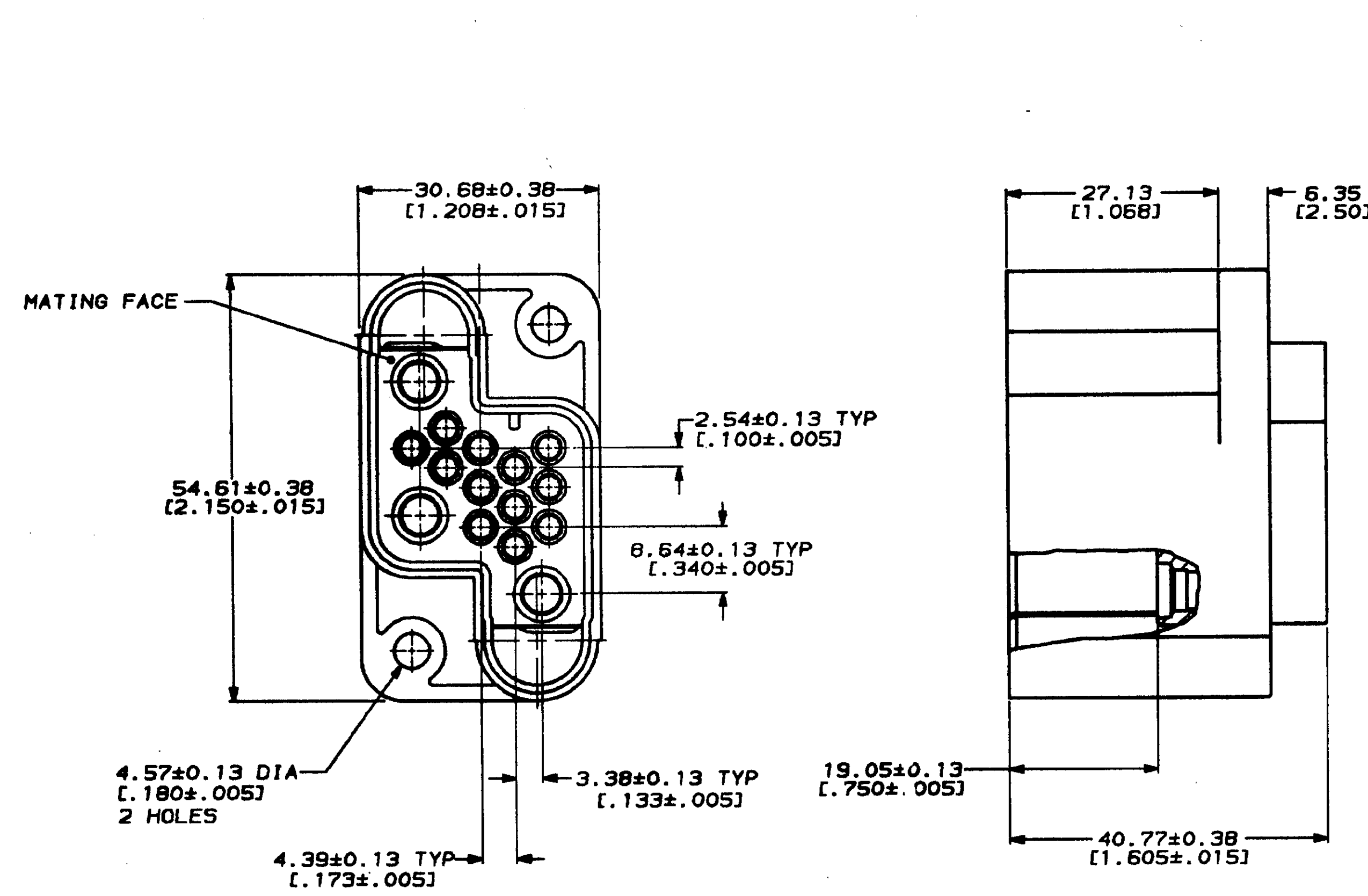


REVISONS		DATE	APPD
0	REL PER NPR 2092, W/S 87-5019-51	10-28-87	MG
A	REV PER ECN S4434	2-29-88	MG
B	REV PER ECN BD3182 & BD3273	8-22-88	AB
C	REV ECN BD4792 & BD5024	04/28/91	P.T.



RECOMMENDED PANEL CUTOUT

1. THIS RECEPTACLE HOUSING MATES WITH PLUG HOUSING PART NUMBER 213426-1.
2. THIS HOUSING ACCEPTS (3) POWER SIZE 8 OR COAXIAL SIZE 8 PIN CONTACTS AND (12) TYPE II SIZE 16, TYP III+ SIZE 16, TYPE VI SIZE 16, TYPE X SIZE 16, SUBMINIATURE COAXICON OR OPTIMATE FIBER OPTIC PIN CONTACTS.
3. DIMENSIONS IN BRACKETS ARE IN INCHES.

DO NOT SCALE PRINT. UNLESS SPECIFIED DIMENSIONS ARE IN MM. TOLERANCES ON: 2 PLC DEC ± 0.25(.010) 3 PLC DEC ± .10		PART NO 213427-1	
DR D ERDMAN 10-28-88	CHK LARRY G LAWVER 10-28-88	AMP AMP INCORPORATED Herzliya, P.O. 17108	
APPD MICHAEL D GALLOWAY 10-29-88	APPD	NAME HOUSING, RECEPTACLE, DRAWER CONNECTOR, 15 POSITION, METRIMATE	
MATERIAL POLYESTER, GLASS FIBER REINFORCED, FLAME RETARDED, BLACK	PRODUCT SPEC	FINISH	APPLICATION SPEC
SIZE D	FSCH NO 00779	DRAWING NO 213427	SHEET 1 OF 1
SCALE 2:1	CUSTOMER DRAWING		

