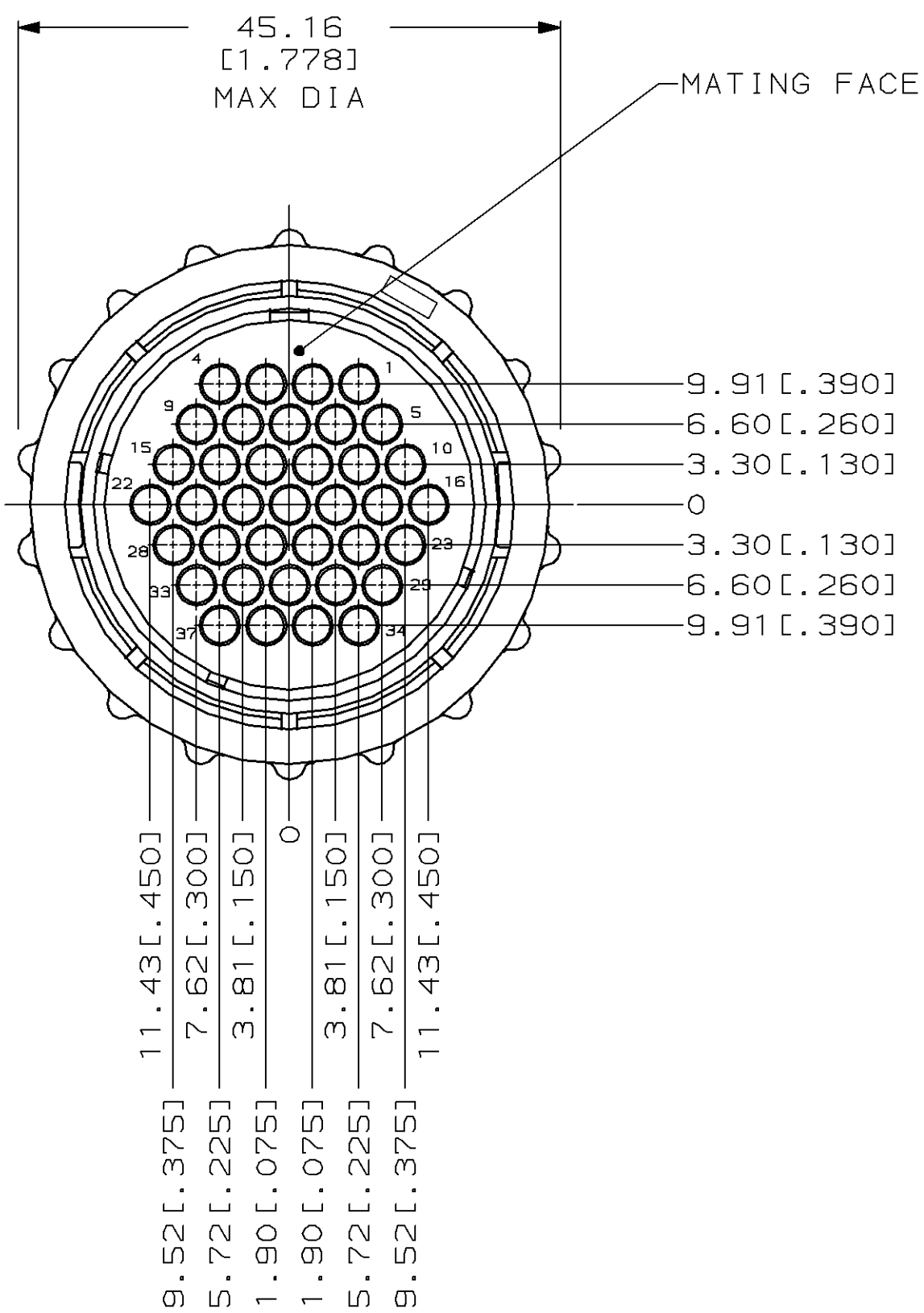


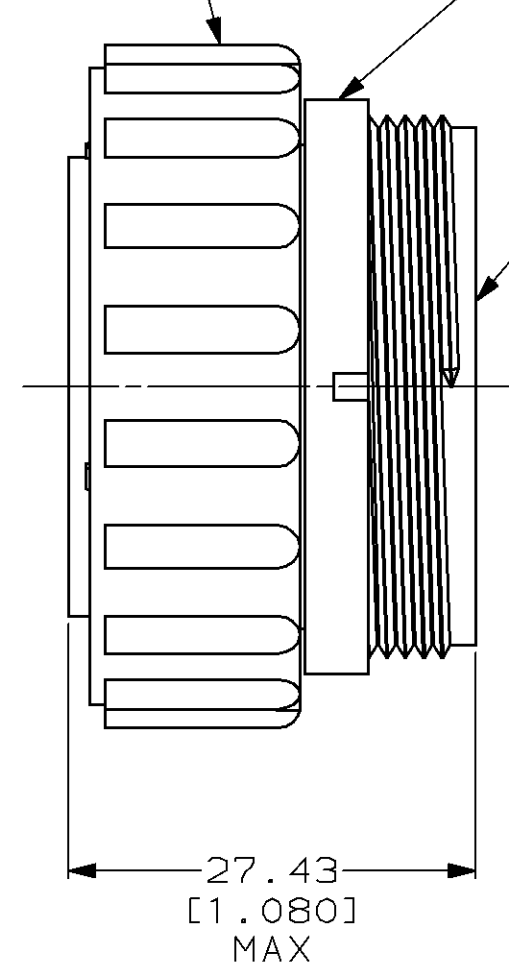
| LOC | DIST | P | F | ZONE | LTR | DESCRIPTION | DATE | APPD |
|-----|------|---|---|------|-----|--------------------------------------|-----------|------|
| FT | 4 | | | | | | | |
| | | | | | O | RLSE PER NPR 5254 WAS 94-5029-020-01 | 01/03/95 | AF |
| | | | | | A | REV PER EC 0020-68-95 | 02/07/95 | AF |
| | | | | | B | REV PER EC 0020-738-95 | 17 JUL 95 | RB |
| | | | | | C | REV PER EC 0320-7-97 | 16 JAN 97 | KD |



COUPLING RING
 POLYESTER, BLACK

AMP & PART NO
 ON THIS DIA

PLUG HOUSING
 NYLON 6/6,
 GLASS FILLED,
 BLACK



213848-1

PART
 NUMBER

- CONTACT CAVITIES IDENTIFIED BY CHARACTERS ON FRONT AND REAR FACES OF CONNECTOR.
- THIS CONNECTOR WILL ACCEPT (37) MULTIMATE SOCKET CONTACTS.

| | | | |
|---|---|--|----------------------|
| DO NOT SCALE PRINT. UNLESS SPECIFIED DIMENSIONS IN mm [INCHES] TOLERANCES ON : 2 PLC DEC ± 0.13 [.005] 3 PLC DEC ± - ANGLES ± - | DR 01/03/95 K.FOLTZ CHK 01/09/95 R.STONE APPD 01/10/95 T.COULSON APPD 01/16/95 A.FRANTUM | AMP Incorporated Harrisburg, PA 17105-3608 | |
| MATERIAL SEE CALLOUT | PRODUCT SPEC - | NAME PLUG ASSEMBLY, STANDARD SEX, SIZE 23, SERIES I, CPC | |
| FINISH - | APPLICATION SPEC - | SIZE C | CAGE CODE 00779 |
| | WEIGHT - | SCALE 2:1 | DRAWING NO 213848 |
| | | | SHEET 1 OF 1 |