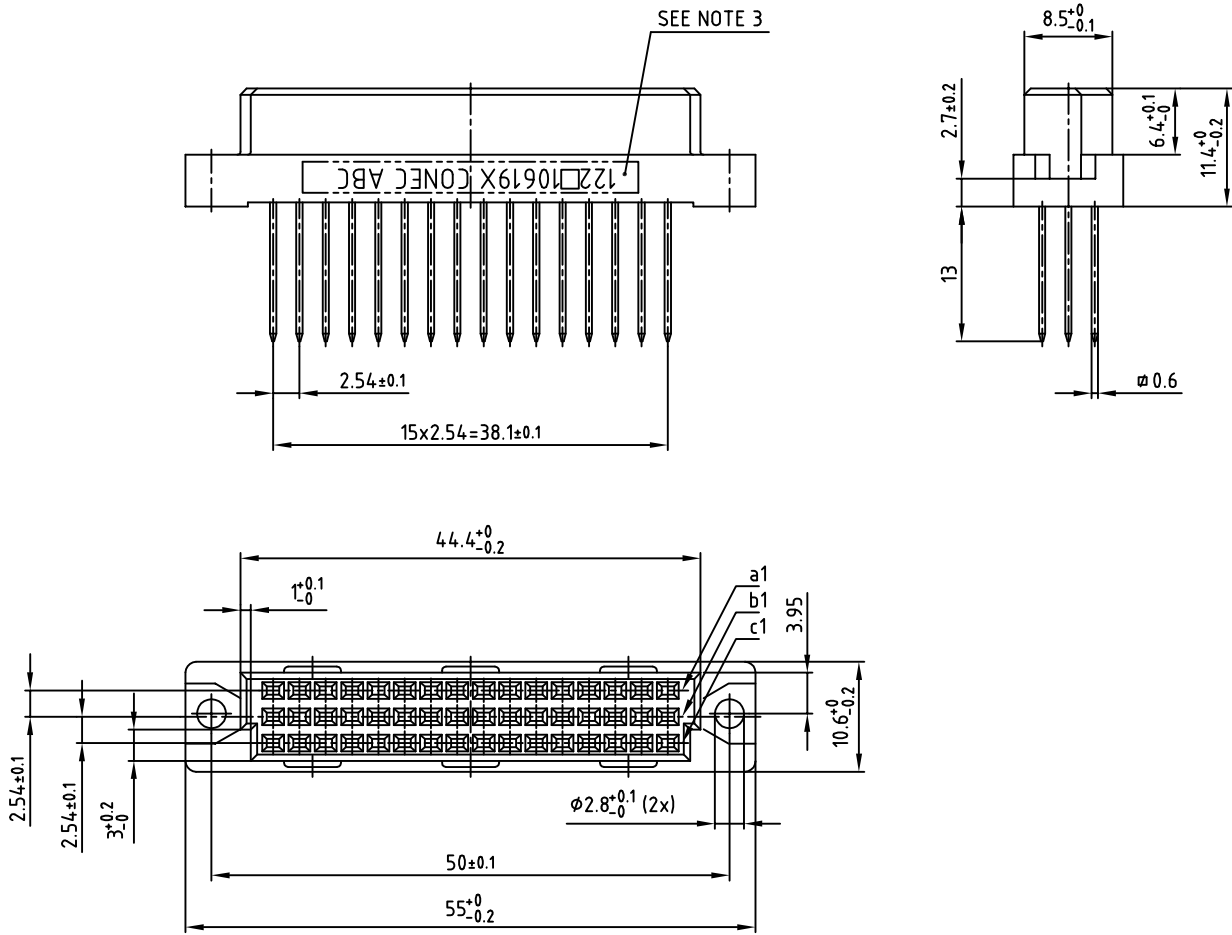
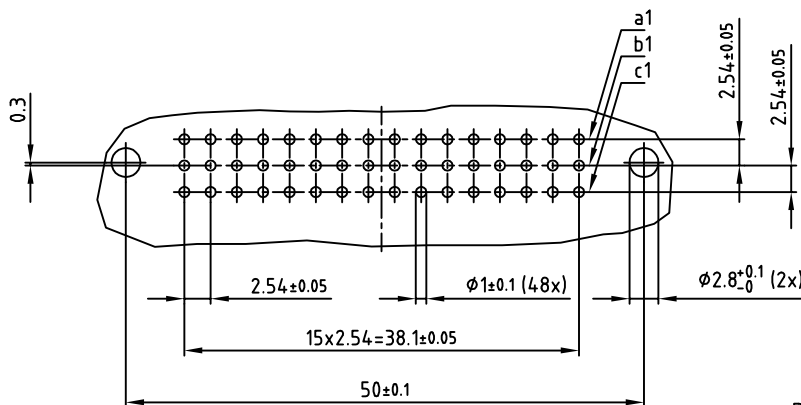


used for: DIN EN 60603-2 TYPE "C 1/2"



NOTES:

1. INSULATORS: PBT UL 94 V-0, GREY
2. CONTACTS: COPPER ALLOY; PLATING (SEE PART NO.):
 - PLEASE ADD A for GOLD over NICKEL; 50 MATING CYCLES
 - PLEASE ADD B for GOLD over NICKEL; 400 MATING CYCLES
 - PLEASE ADD C for GOLD over NICKEL; 500 MATING CYCLES
3. CONNECTOR IS PART MARKED: 122□10619X CONEC ABC



P.C.B. HOLE DRILLINGS

Directive 2002/95/EC RoHS compliant

THIS DRAWING MAY NOT BE COPIED OR REPRODUCED IN ANY WAY, AND MAY NOT BE PASSED ON TO A THIRD PARTY, WITHOUT WRITTEN PERMISSION. OWNERSHIP AND COPYRIGHT OF CONEC GmbH DO NOT ALTER CAD DRAWING BY HAND

rev.	description	date	name
a	Original		

tolerance		dim. in mm	
2014	date	name	
drawn	15.07.	Henneboel	
appd.	16.07.	Lehmenkühler	
norm	DIN EN 60603-2		
d-old			

scale:	2:1	
material:	SEE NOTES	
title:	FEMALE CONNECTOR TYPE "C 1/2"	
	48pos.	
	WIRE WRAP	
dwg no:	12K1A829	DIN-A 3
part no:	122□10619X	sh: 1/1
		(see note 2)

