

REVISIONS

P	LTR	DESCRIPTION	DATE	DWN	APVD
	C1	REVISED (ECR-16-009940)	11.JULY.16	YJ	KT

CODING SYSTEM

CODE A
(2005372-2)

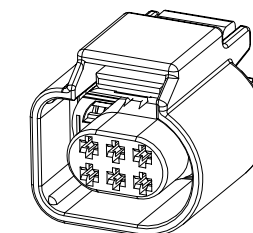
CODE B
(1-2005372-2, 2005372-3 / 4)

TABLE 1

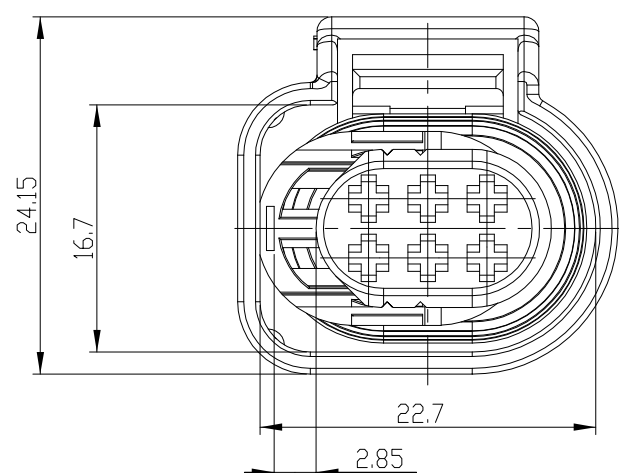
TYPE	FINISH	P/N	APPLICABLE WIRE RANGE(mm ²)
MTII	PRE-TIN	962875-1	0.2~0.5
	SELECTIVE GOLD	962875-5	
	PRE-TIN	962876-1	0.5~0.85
	SELECTIVE GOLD	962876-5	
-	-	1703414	1.25

TABLE 2

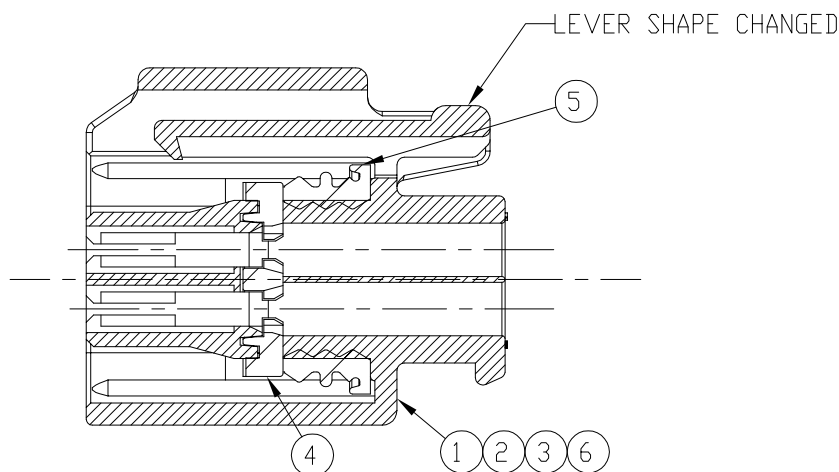
COLOR	P/N	WIRE INSULATION DIAMETER(mm)
YELLOW	964972-1	1.9~2.1
GRAY	963530-1	1.4~1.9
RED	964971-1	1.2~1.6
ORANGE	2112323-1	1.9~2.4
BROWN	2219708-4	2.1~2.4



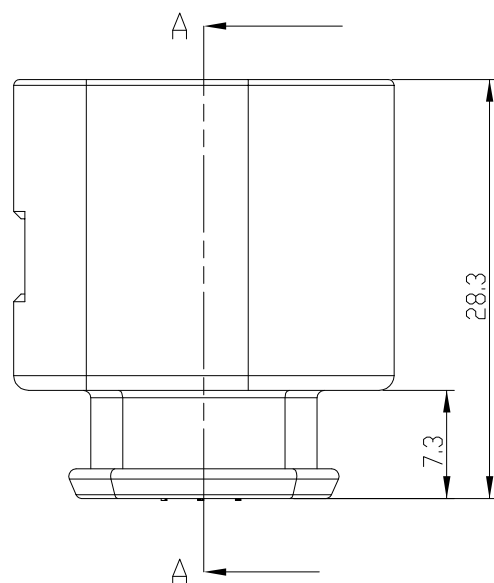
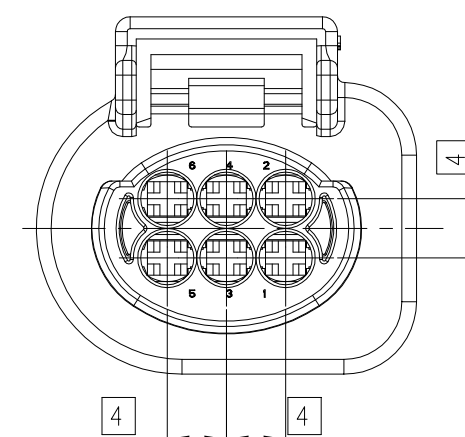
SCALE 1:1



DBL IN 1st LOCKING POSITION



SECTION A-A



NOTES.

1. GENERAL TOLERANCE: ± 0.3 , $\pm 3^\circ$
2. CONNECTOR SUPPLIED WITH SECONDARY LOCK PRE-ASSEMBLED
3. CAVITY SUITABLE FOR MICRO TIMER II STD
4. APPLIED CONTACT : SEE TABLE 1 & PRODUCT GROUP DRAWING FOR MICRO TIMER 2 CONTACT TYPE A (DRAWING No. 1355045)
5. APPLIED WIRE SEAL : SEE TABLE 2

NO	COLOR	MATERIAL	DESCRIPTION	Q'TY			
6	GRAY	PA66-GF15	PLUG HSG(CODE B)	-	-	-	1
5	RED	SILICONE	INNER SEAL	1	1	1	1
4	YELLOW	PA66-GF30	DBL HSG	1	1	1	1
3	BROWN	PA66-GF15	PLUG HSG(CODE B)	-	-	1	-
2	BLACK	PA66-GF15	PLUG HSG(CODE B)	-	1	-	-
1	BLACK	PA66-GF15	PLUG HSG(CODE A)	1	-	-	-

ASS'Y P/N	KEY CODE
2005372-2	A
1-2005372-2	B
2005372-4	B
2005372-3	B

THIS DRAWING IS A CONTROLLED DOCUMENT.		DWN YJ KIM		TE Connectivity	
DIMENSIONS: mm		CHK DG JEONG			
TOLERANCES UNLESS OTHERWISE SPECIFIED:		APVD KT LIM		NAME MT2 SLD 6P PLUG ASSY	
0 PLC \pm - 1 PLC ± 0.5 2 PLC ± 0.13 3 PLC ± 0.013 4 PLC ± 0.0001 ANGLES \pm		PRODUCT SPEC		DRAWING NO	
MATERIAL		FINISH		RESTRICTED TO	
SEE TABLE		-		-	
		WEIGHT		SIZE	
		-		A3	
		CUSTOMER DRAWING		CAGE CODE	
				00779	
				DRAWING NO	
				C-2005372	
				SCALE	
				2:1	
				SHEET	
				1 OF 1	
				REV	
				C1	