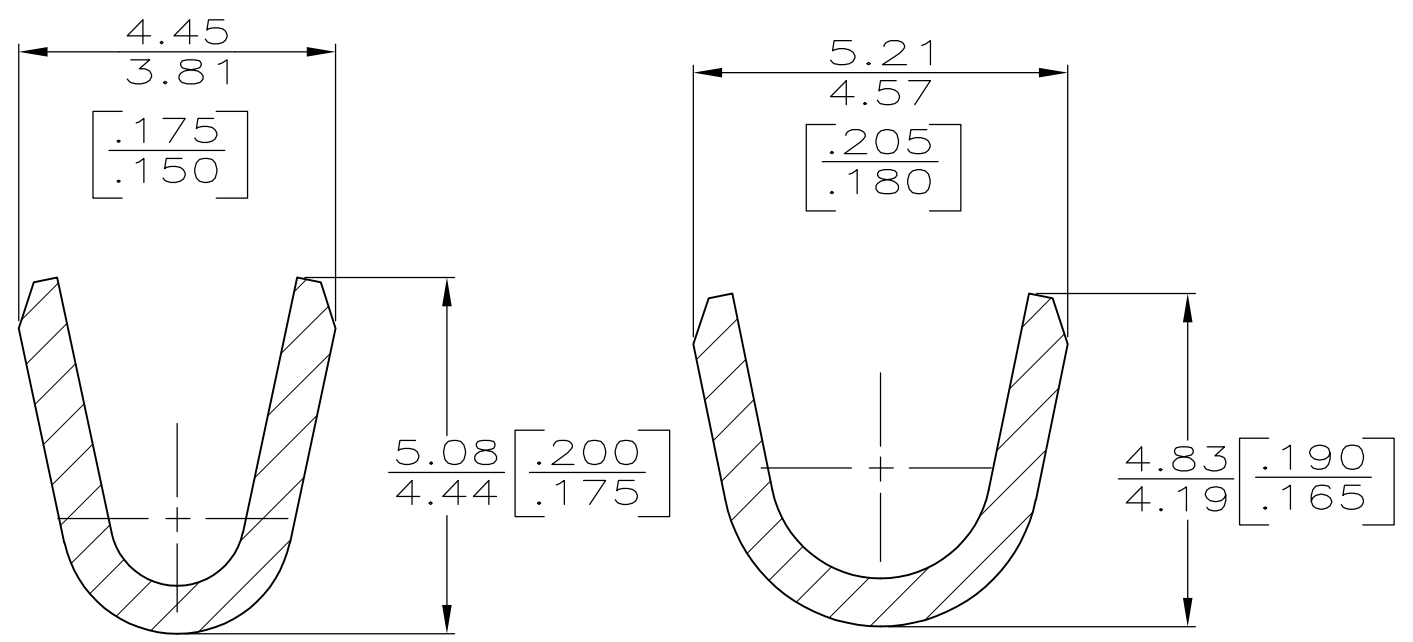
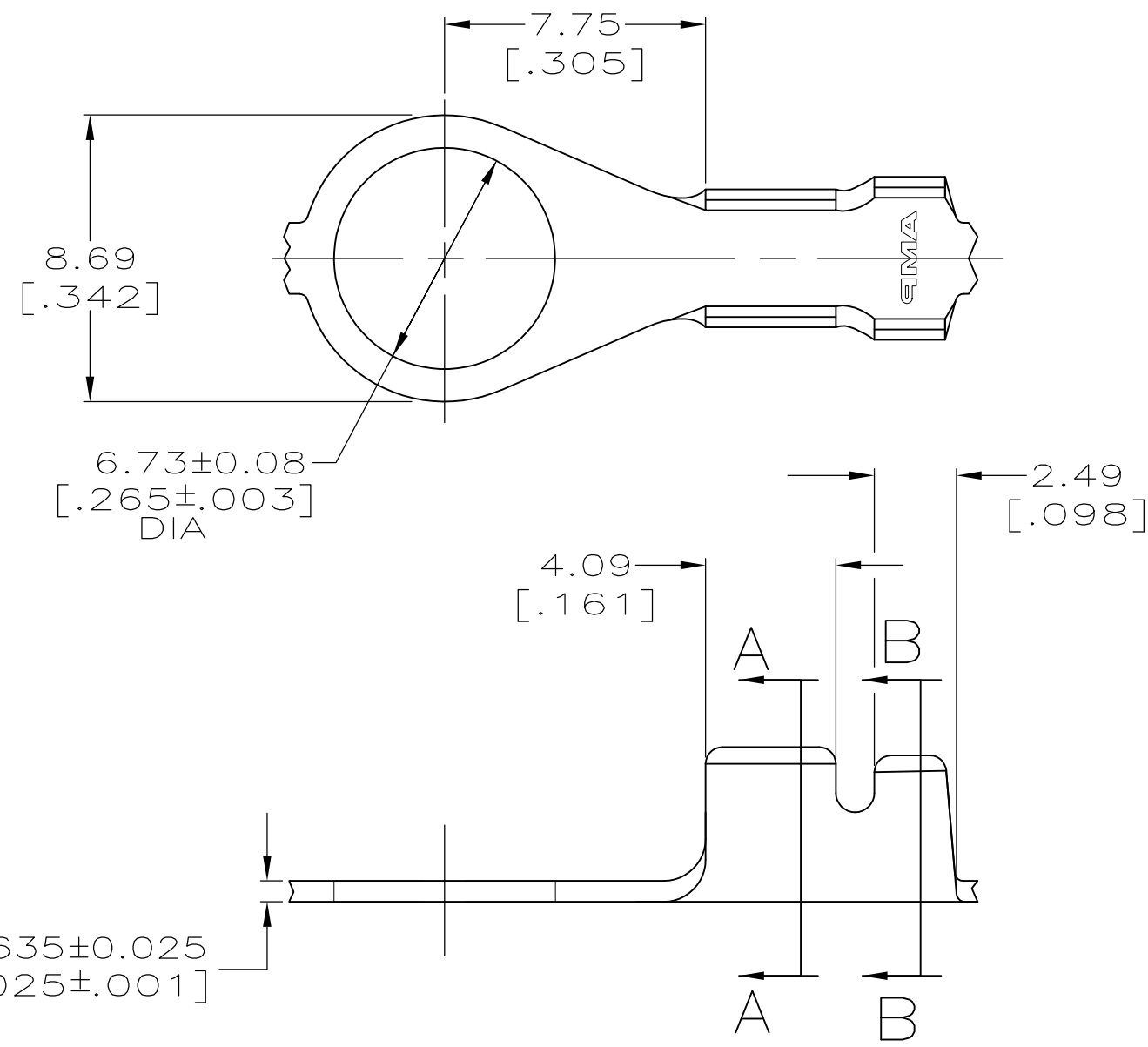


THIS DRAWING IS UNPUBLISHED. RELEASED FOR PUBLICATION
 © COPYRIGHT BY TYCO ELECTRONICS CORPORATION. ALL INTERNATIONAL RIGHTS RESERVED.

LOC	DIST	REVISIONS					
AF	50	P	LTR	DESCRIPTION	DATE	DWN	APVD
			V	REVISED PER ECR-08-008189	24NOV08	HMR	DD

1 CONTINUOUS STRIP ON REEL.



2.54-3.56 DIA [.100-.140]	[18-14] AWG	60625-1
INSULATION RANGE	WIRE RANGE	PART NO

THIS DRAWING IS A CONTROLLED DOCUMENT.		DWN 07/APR/95 PHILLIP M FORTNEY	Tyco Electronics Corporation Harrisburg, PA 17105-3608	
DIMENSIONS: mm [INCHES]	TOLERANCES UNLESS OTHERWISE SPECIFIED:	CHK 07/APR/95 JEFF R RUTH	NAME	
	0 PLC ± -	APVD 07/APR/95 GARY YETTER	RING	
	1 PLC ± -	PRODUCT SPEC	-	
MATERIAL	FINISH	APPLICATION SPEC	SIZE	CAGE CODE
082 BRASS	TIN PLATING	WEIGHT	A3	00779
CUSTOMER DRAWING			DRAWING NO	RESTRICTED TO
			C-60625	-
			SCALE	SHEET
			5:1	1 OF 1
			REV	V