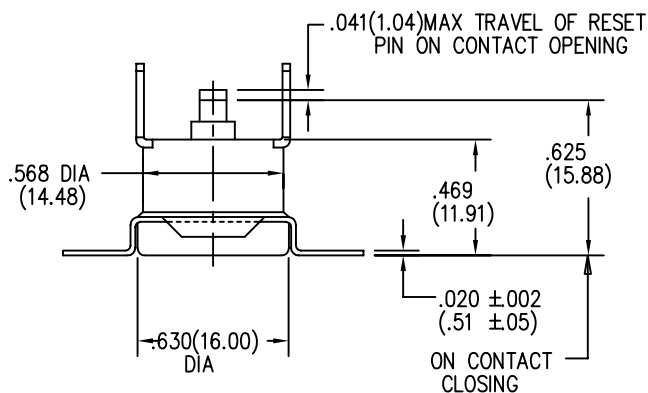
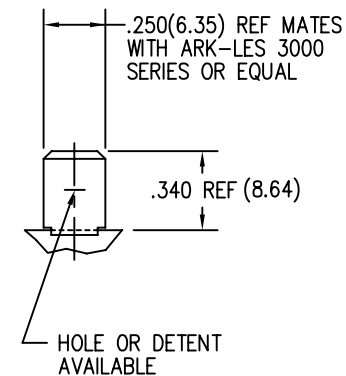
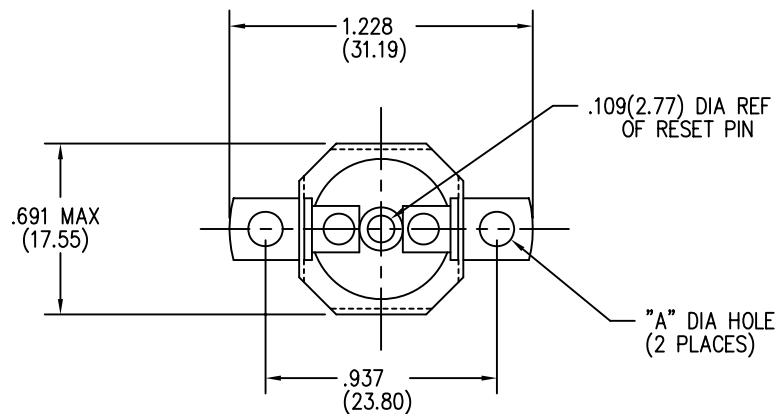


HONEYWELL
PART NUMBER

-

REV	DOCUMENT	CHANGED BY	CHECK
A	0042617	SS 02SEP08	BLR

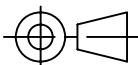


DESIGN UNITS: INCH [MM]

TOLERANCES UNLESS NOTED:

NO PLACE	X	±	-
ONE PLACE	.X	±	-
TWO PLACE	.XX	±	-
THREE PLACE	.XXX	±	0.015
ANGLES	X	±	-

THIRD ANGLE PROJECTION



DRAWN DJD 22JAN90

CHECK EJ 22JAN90

THIS DRAWING COVERS A PROPRIETARY ITEM AND IS THE PROPERTY OF HONEYWELL. THIS DRAWING IS NOT TO BE COPIED OR USED WITHOUT THE PERMISSION OF HONEYWELL.

INTERPRET PER ASME Y14.5M-1994 OTHER HONEYWELL ENGINEERING STANDARDS MAY APPLY

AUTOCAD

2D

Honeywell

TITLE

THERMOSTAT SPST

SIZE	TYPE	CAGE CODE	DRAWING NAME	REV
A	E	14604	2455RM98	A

SCALE	NTS	SHEET	2 OF 3
-------	-----	-------	--------