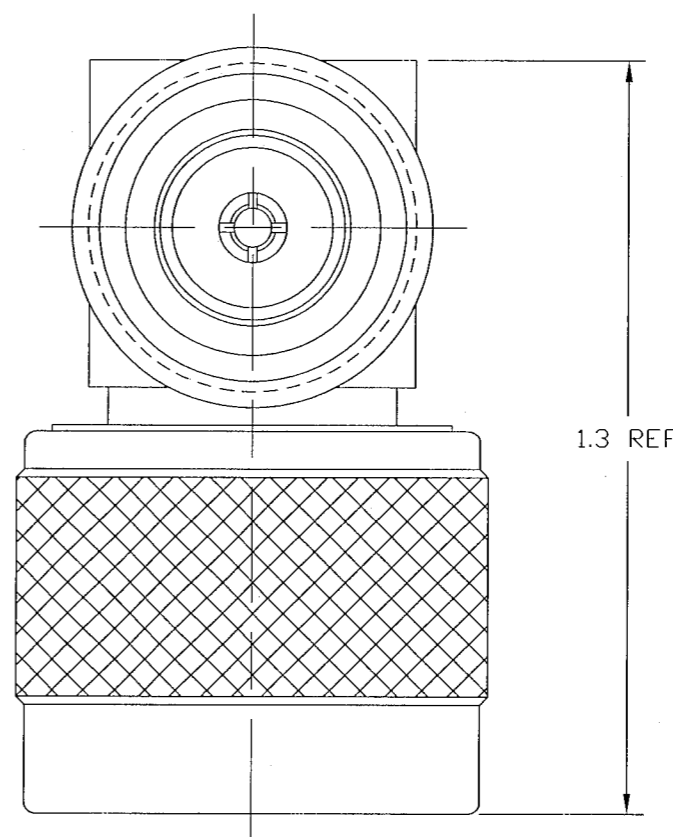
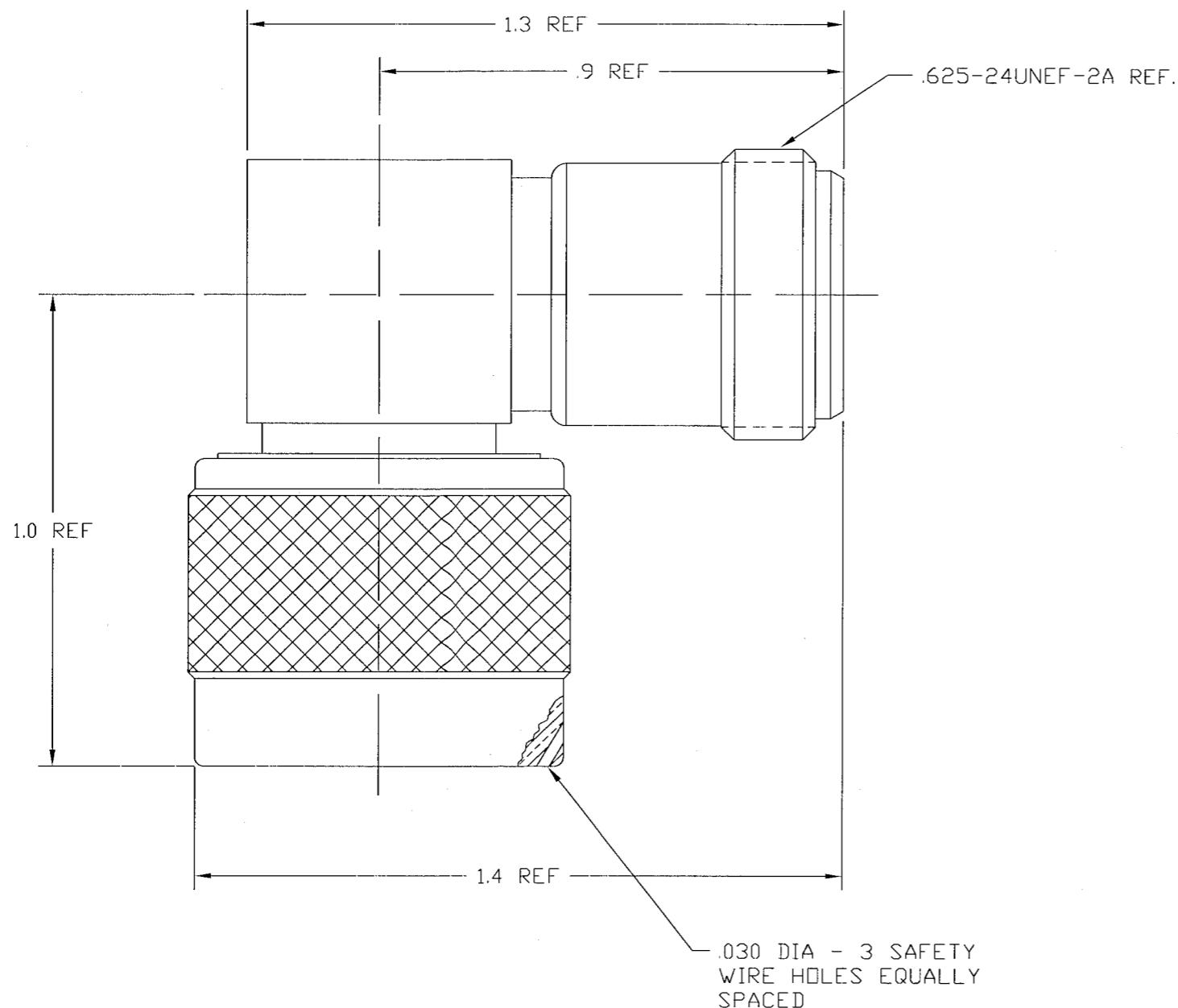


NOTES:

1. MATERIALS OF CONSTRUCTION:
 COUPLING NUT, OUTER CONTACT, BODY SUB-ASS'Y. & BUSHING - BRASS, NICKEL PLATED.
 CONTACT - BERYLLIUM COPPER, GOLD PLATED.
 INSULATORS (2) - TFE.
 GASKET - SILICONE RUBBER.
 RETAINING RING - PHOSPHUR BRONZE, WAX DIPPED.
2. DO NOT SCALE THIS DRAWING.
3. UNLESS OTHERWISE SPECIFIED, ALL DIMENSIONS ARE AFTER PLATING.

82-213-1001		REVISIONS			
DRAWING NO.	REV	DESCRIPTION	DATE	ECO	APPR
THIRD ANGLE PROJ.	--	RELEASE TO MFG.	-----	----	----
	D	SEE SHEET 1	3/3/05	45431	CPM/



CUSTOMER OUTLINE DRAWING
 ALL OTHER SHEETS ARE FOR INTERNAL USE ONLY

UNLESS OTHERWISE SPECIFIED, DIMENSIONS ARE IN INCHES AND TOLERANCES ARE: 2 PLACE DECIMAL ±015 (0,381 mm) 3 PLACE DECIMAL ±005 (0,127 mm) ANGLES ± 1'	MATERIAL	DRAWN C. McGRATH	DATE 3/1/05	TITLE TYPE N ADAPTOR RIGHT ANGLE	Amphenol Amphenol Corporation RF/Microwave Operations Danbury, Conn. U.S.A. 06810
	REFERENCE	ENGINEER D. BARTHELMES	DATE 3/1/05		
NOTICE - These drawings, specifications, or other data (1) are, and remain the property of Amphenol Corp. (2) must be returned upon request; and (3) are confidential and not to be disclosed to any person other than those to whom they are given by Amphenol Corp. The furnishing of these drawings, specifications, or other data by Amphenol Corp., or to any other person to anyone for any purpose is not to be regarded by implication or otherwise in any manner licensing, granting rights or permitting such holder or any other person to manufacture, use or sell any product, process or design, patented or otherwise, that may in any way be related to or disclosed by said drawings, specifications, or other data.		APPROVED D. BARTHELMES	DATE 3/2/05	SCALE: 3:1	SHEET 2 OF 2
		CAD FILE H:\DEPT611\N\082\ASSY\213\1001SHT2	CODE ID 74868	DWG SIZE B	DRAWING NO. 82-213-1001