

MODEL:

PDUMNV20HV2

Monitored Rackmount PDU



High Voltage
Input/Output



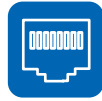
20 Outlets



20A Max
Capacity



Load Meter



Network
Interface



0U Rackmount

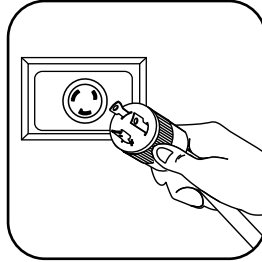


Toolless
Mounting
Buttons



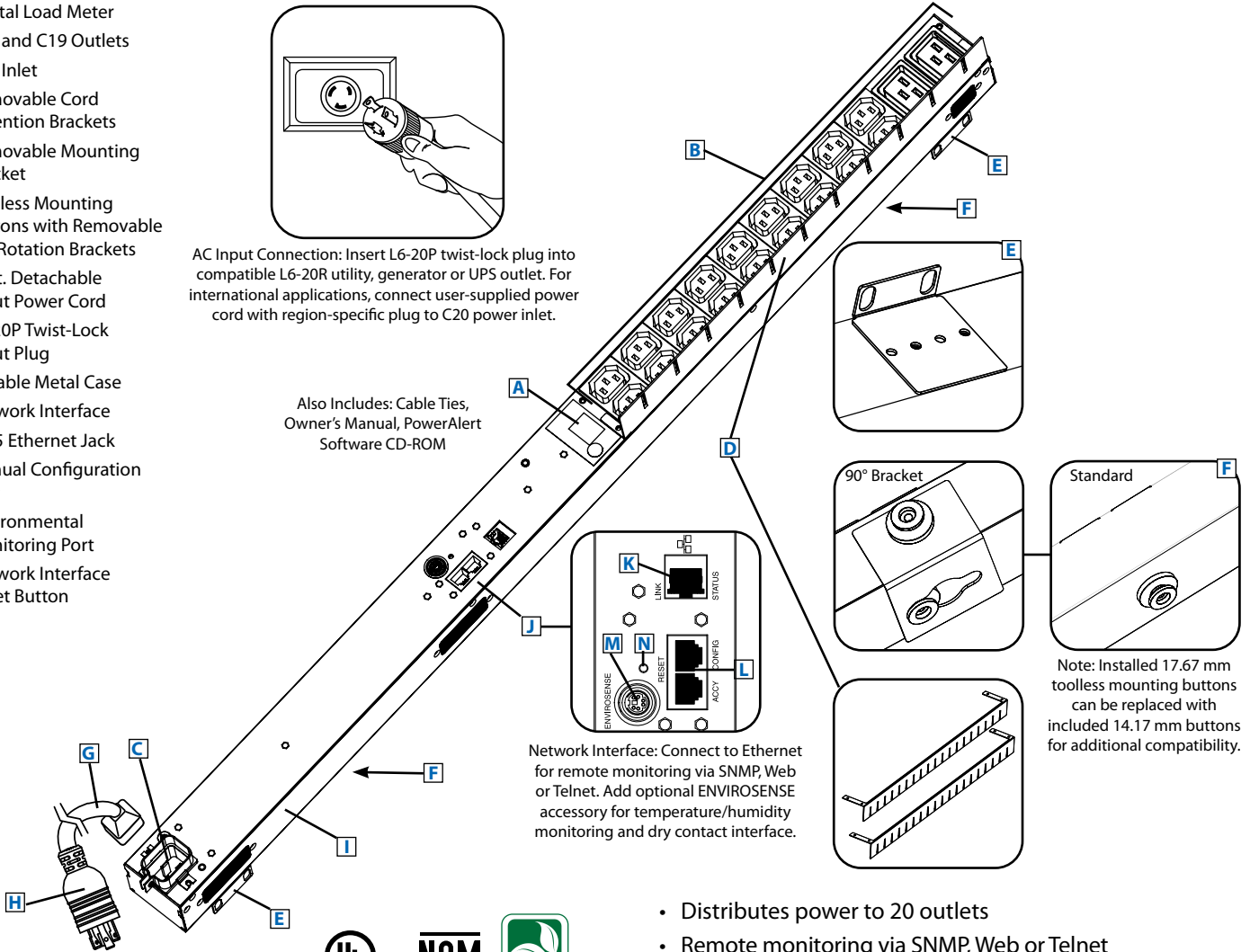
AC Inlet
Supports
International Plugs

- A** Digital Load Meter
- B** C13 and C19 Outlets
- C** C20 Inlet
- D** Removable Cord Retention Brackets
- E** Removable Mounting Bracket
- F** Toolless Mounting Buttons with Removable 90° Rotation Brackets
- G** 10 ft. Detachable Input Power Cord
- H** L6-20P Twist-Lock Input Plug
- I** Durable Metal Case
- J** Network Interface
- K** RJ45 Ethernet Jack
- L** Manual Configuration Port
- M** Environmental Monitoring Port
- N** Network Interface Reset Button



AC Input Connection: Insert L6-20P twist-lock plug into compatible L6-20R utility, generator or UPS outlet. For international applications, connect user-supplied power cord with region-specific plug to C20 power inlet.

Also Includes: Cable Ties,
Owner's Manual, PowerAlert
Software CD-ROM



Network Interface: Connect to Ethernet for remote monitoring via SNMP, Web or Telnet. Add optional ENVIROSENSE accessory for temperature/humidity monitoring and dry contact interface.

Note: Installed 17.67 mm toolless mounting buttons can be replaced with included 14.17 mm buttons for additional compatibility.

- Distributes power to 20 outlets
- Remote monitoring via SNMP, Web or Telnet
- Displays total load in real time
- Perfect for rackmount server, network and telecom applications

SEE NEXT PAGE FOR DETAILED UNIT MEASUREMENTS

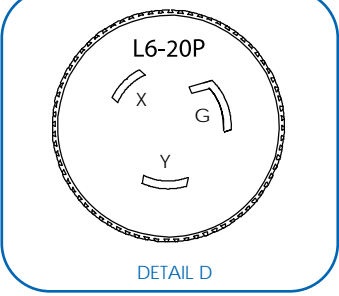
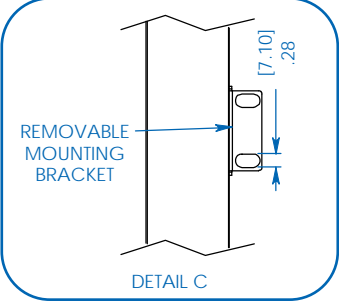
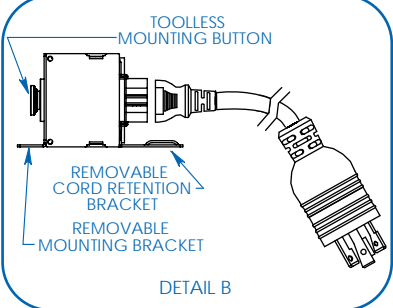
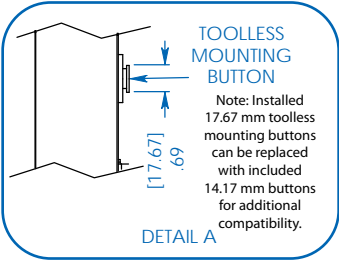
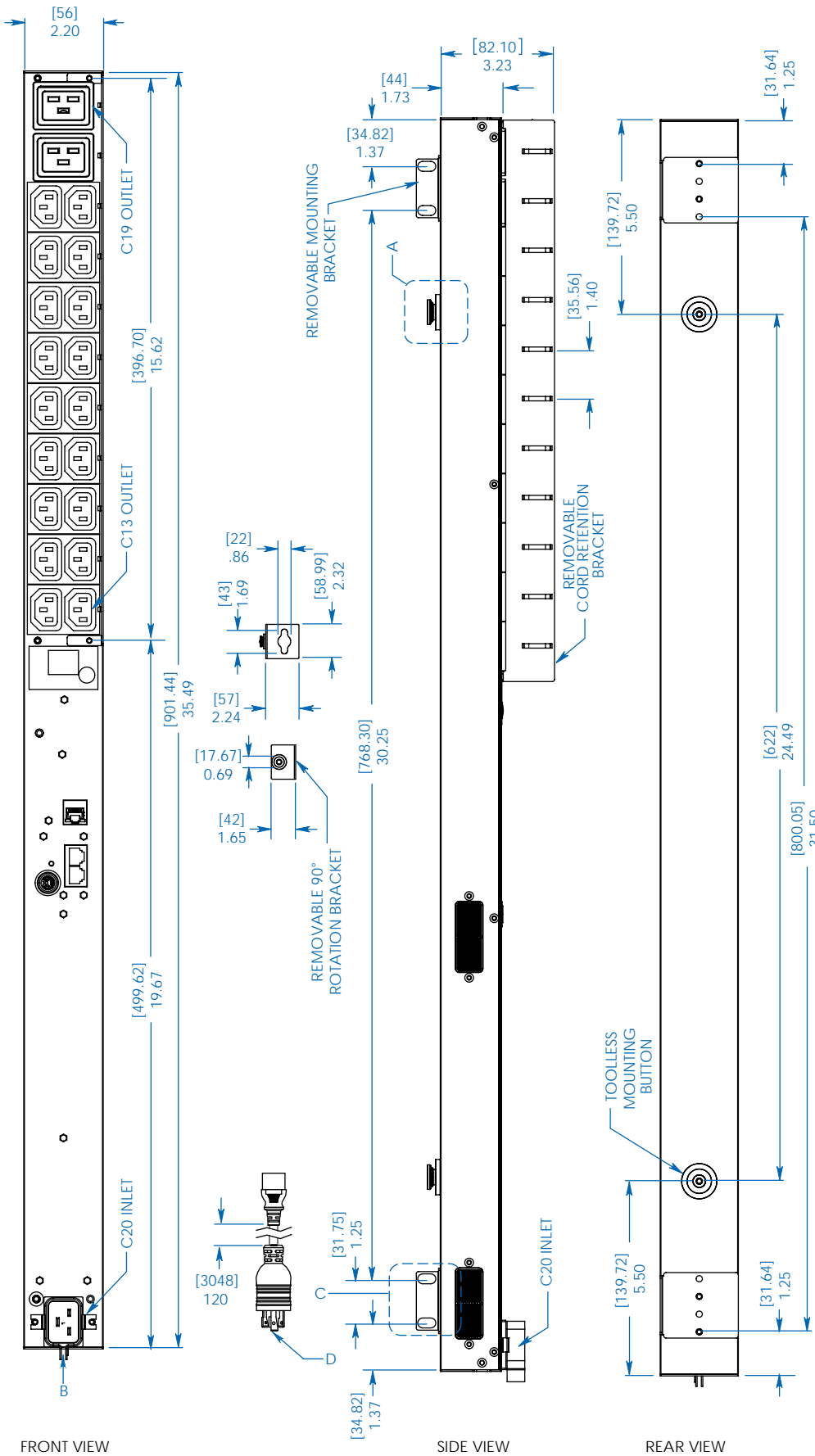
Specifications

Model	PDUMNV20HV2
Voltage	200-240V
Frequency	50/60Hz
Maximum Capacity	20A
Agency-De-rated Capacity	16A
Input Connector	L6-20P (C20 inlet)
Cord Length	10 ft.
Outlets	20 (18 C13 / 2 C19)
Primary Mounting Option	0U (Vertical) Rackmount
Unit Weight & Dimensions	6.5 lbs / 35.5 x 2.2 x 1.85 in. <i>See next page for detailed unit measurements.</i>
Certifications	Tested to UL 60950-1 (US & Canada), CE, NOM (Mexico), FCC & CE Class A (Emissions)

Tripp Lite has a policy of continuous improvement. Specifications are subject to change without notice.



1111 W. 35th Street
Chicago, IL 60609 USA
773.869.1234
www.tripplite.com



MODEL:
PDUMNV20HV2

TRIPP-LITE

1111 W. 35th Street
 Chicago, IL 60609 USA
 773.869.1234
 www.tripplite.com

Dimensions: [mm] INCHES

Tripp Lite has a policy of continuous improvement. Specifications are subject to change without notice.