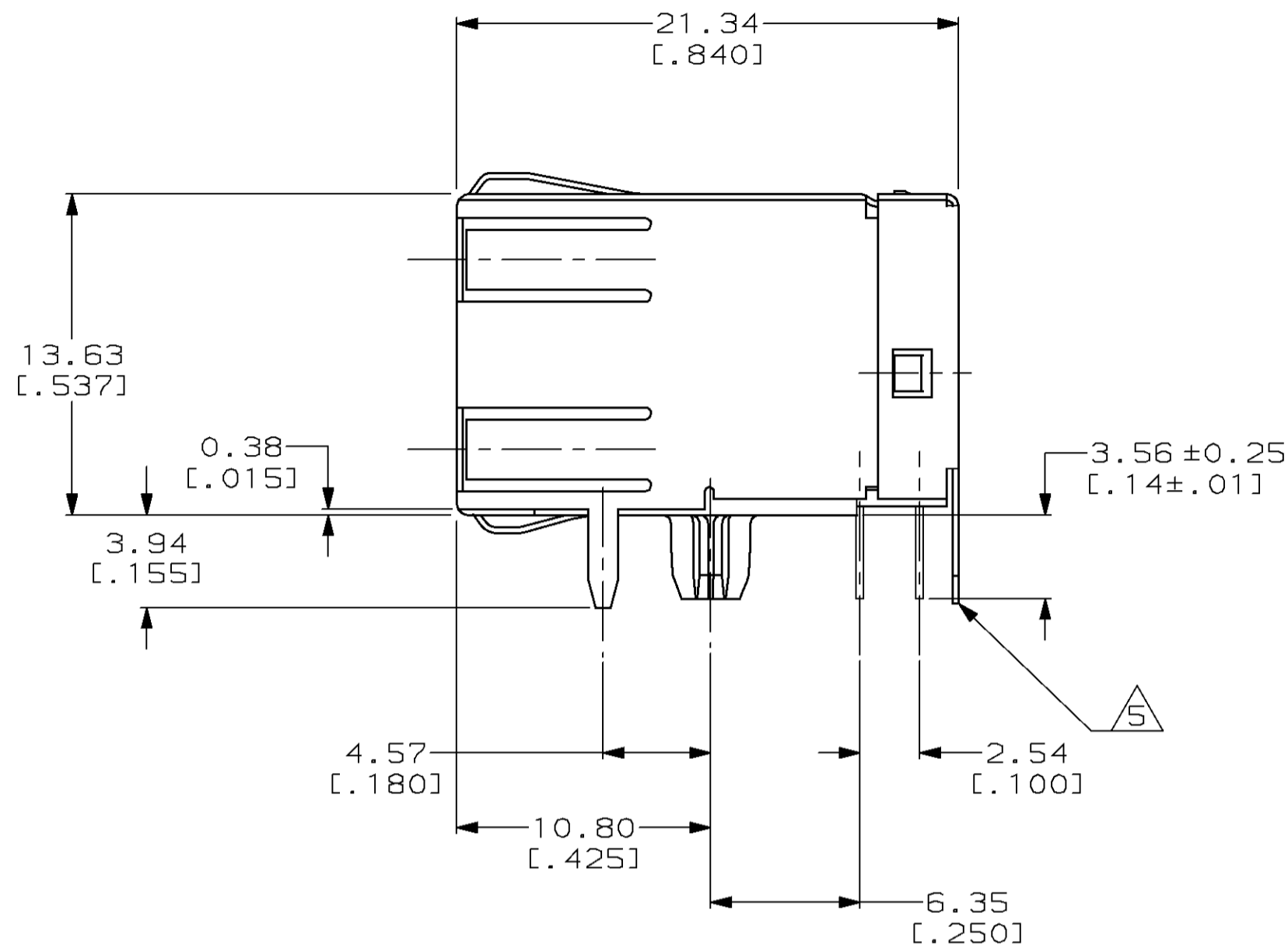
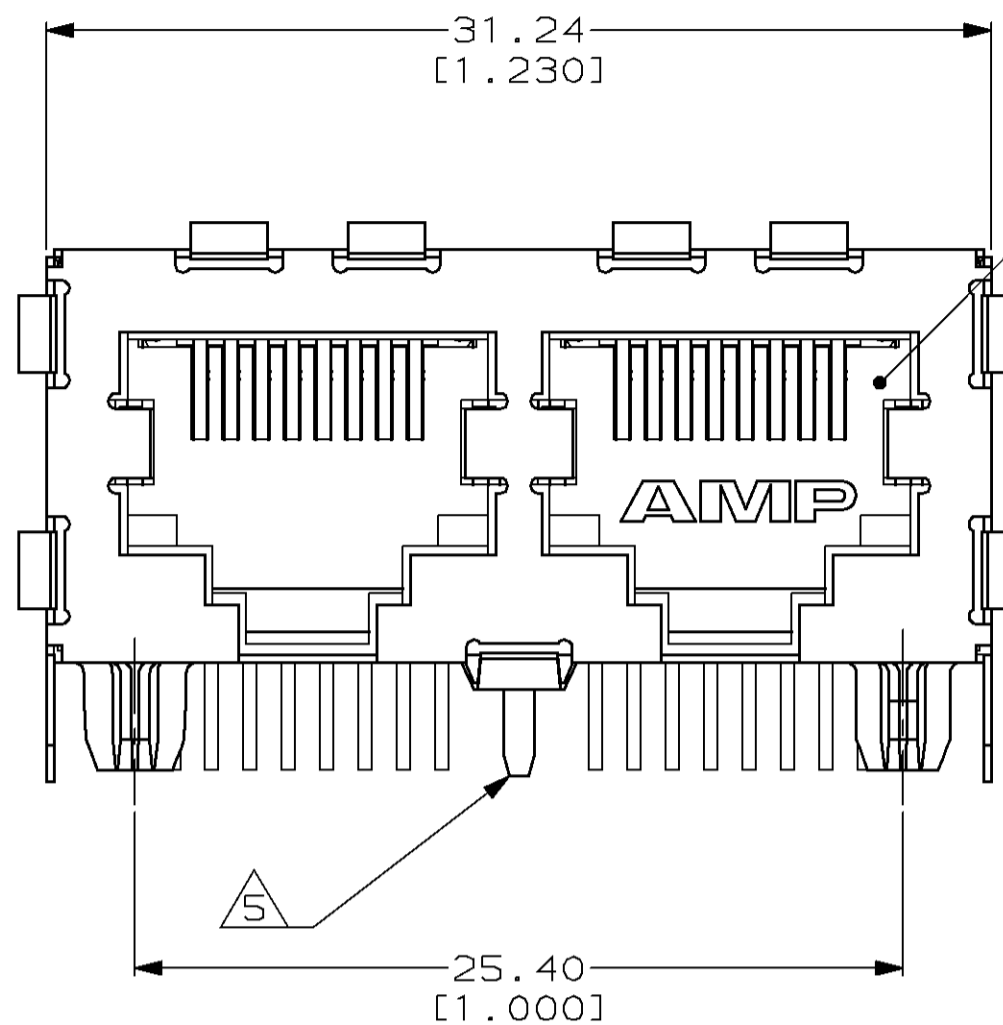
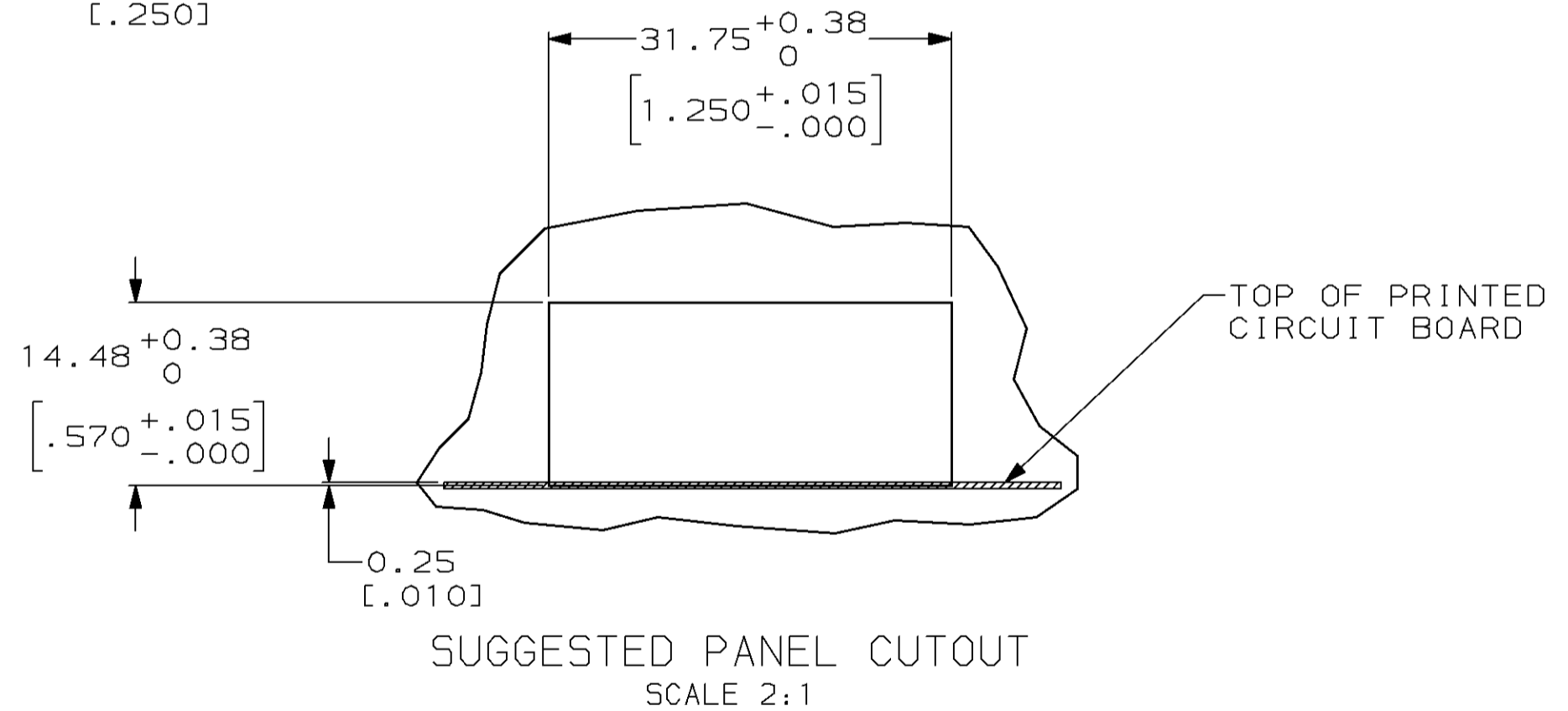
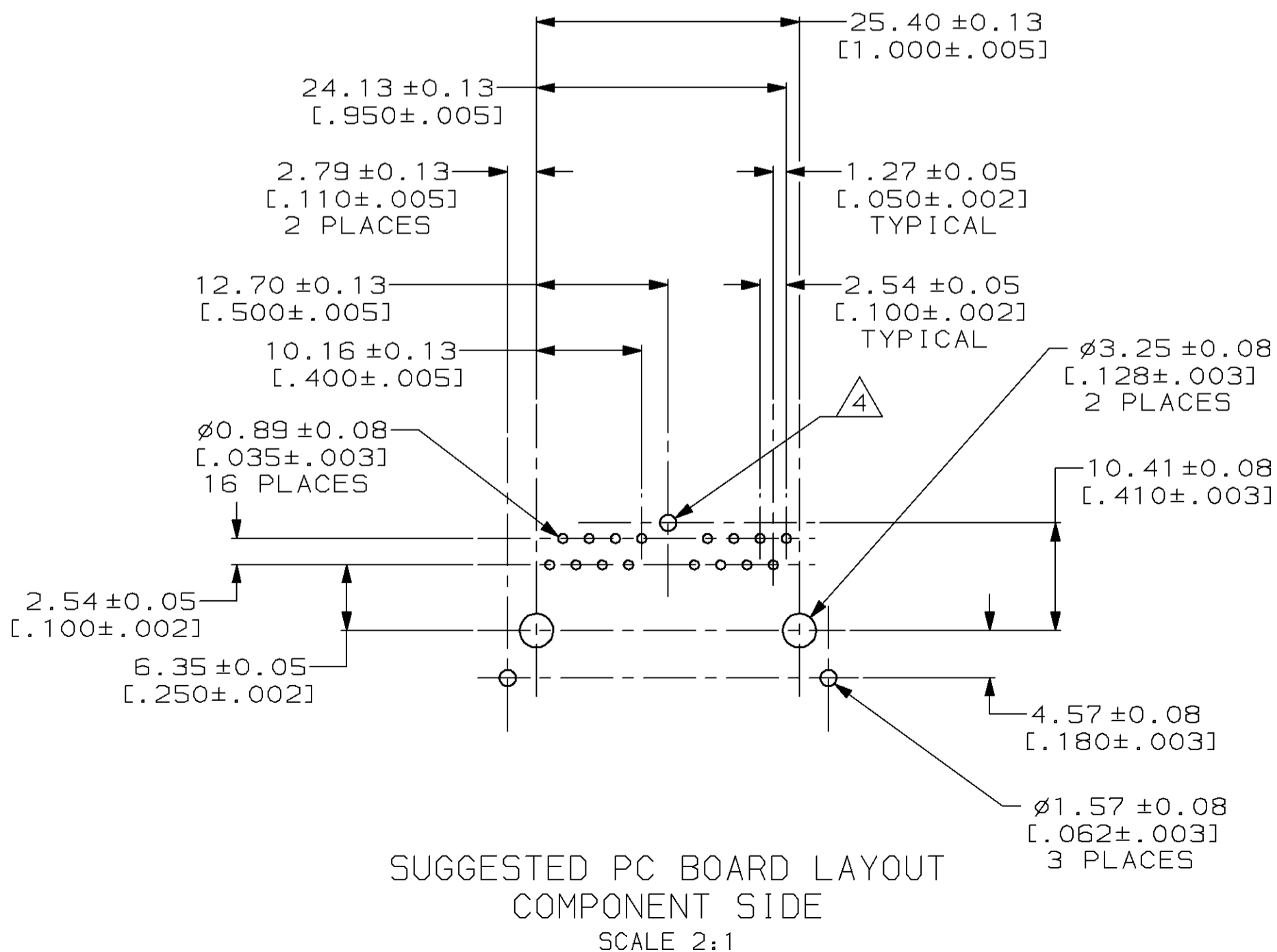


THIS DRAWING IS UNPUBLISHED. RELEASED FOR PUBLICATION  
 BY AMP INCORPORATED. ALL RIGHTS RESERVED.

Loc		DIST		REVISIONS			
P	LTR	DESCRIPTION		DATE	DWN	APVD	
AA	22	0	RLSD; NPR C97-014	24APR97	DLD	JT	



- ① MATERIAL: HOUSING - HIGH TEMPERATURE NYLON, BLACK, IR COMPATIBLE, UL 94V-0. TERMINALS - 0.33 [0.013] THICK PHOS BRONZE PLATED WITH 1.27µm [0.00050] THICK HARD GOLD IN LOCALIZED AREA AND 3.81µm [0.000150] THICK TIN-LEAD IN SOLDER AREA OVER 1.27µm [0.00050] THICK NICKEL UNDERPLATE. SHIELD - 0.254 [0.010] THICK COPPER ALLOY PLATED WITH 2.03µm [0.00080] MINIMUM TIN-LEAD OVER 2.54µm [0.000100] MINIMUM COPPER.
- ② JACK CAVITY CONFORMS TO FCC RULES AND REGULATIONS, PART 68 SUBPART F.
- 3. ALL DIMENSIONS SHOWN ARE NOMINAL UNLESS OTHERWISE SPECIFIED.
- ④ THIS HOLE REQUIRED FOR -2 ONLY.
- ⑤ REAR GROUND TAB NOT REQUIRED FOR -1.



SUGGESTED PC BOARD LAYOUT  
 COMPONENT SIDE  
 SCALE 2:1

SUGGESTED PANEL CUTOUT  
 SCALE 2:1

DESCRIPTION	PART NO.
WITH REAR PCB GROUND TAB	406562-2
⑤ WITHOUT REAR PCB GROUND TAB	406562-1

<small>THIS DRAWING IS A CONTROLLED DOCUMENT FOR AMP INCORPORATED. IT IS SUBJECT TO CHANGE AND THE CONTROLLING ENGINEERING ORGANIZATION SHOULD BE CONTACTED FOR THE LATEST REVISION.</small>		DWN DL DRUMMOND 24APR97	AMP Incorporated Harrisburg, PA 17105-3608
		CHK DL DRUMMOND 25APR97	
		APVD J. TONEY 25APR97	NAME MODULAR JACK ASSEMBLY, 2 PORT, 8 POSITION, RIGHT ANGLE, SHIELDED, CAT 4
DIMENSIONS: mm [INCHES]		TOLERANCES UNLESS OTHERWISE SPECIFIED: 0 PLC ±- 1 PLC ±- 2 PLC ±0.25 [0.01] 3 PLC ±0.13 [0.005] 4 PLC ±- ANGLES ±- FINISH ±-	PRODUCT SPEC 108-1163 APPLICATION SPEC 114-2048 WEIGHT - CUSTOMER DRAWING
		SIZE A2 CAGE CODE 00779 DRAWING NO. C-406562	SCALE 4:1 SHEET 1 OF 1 REV 0