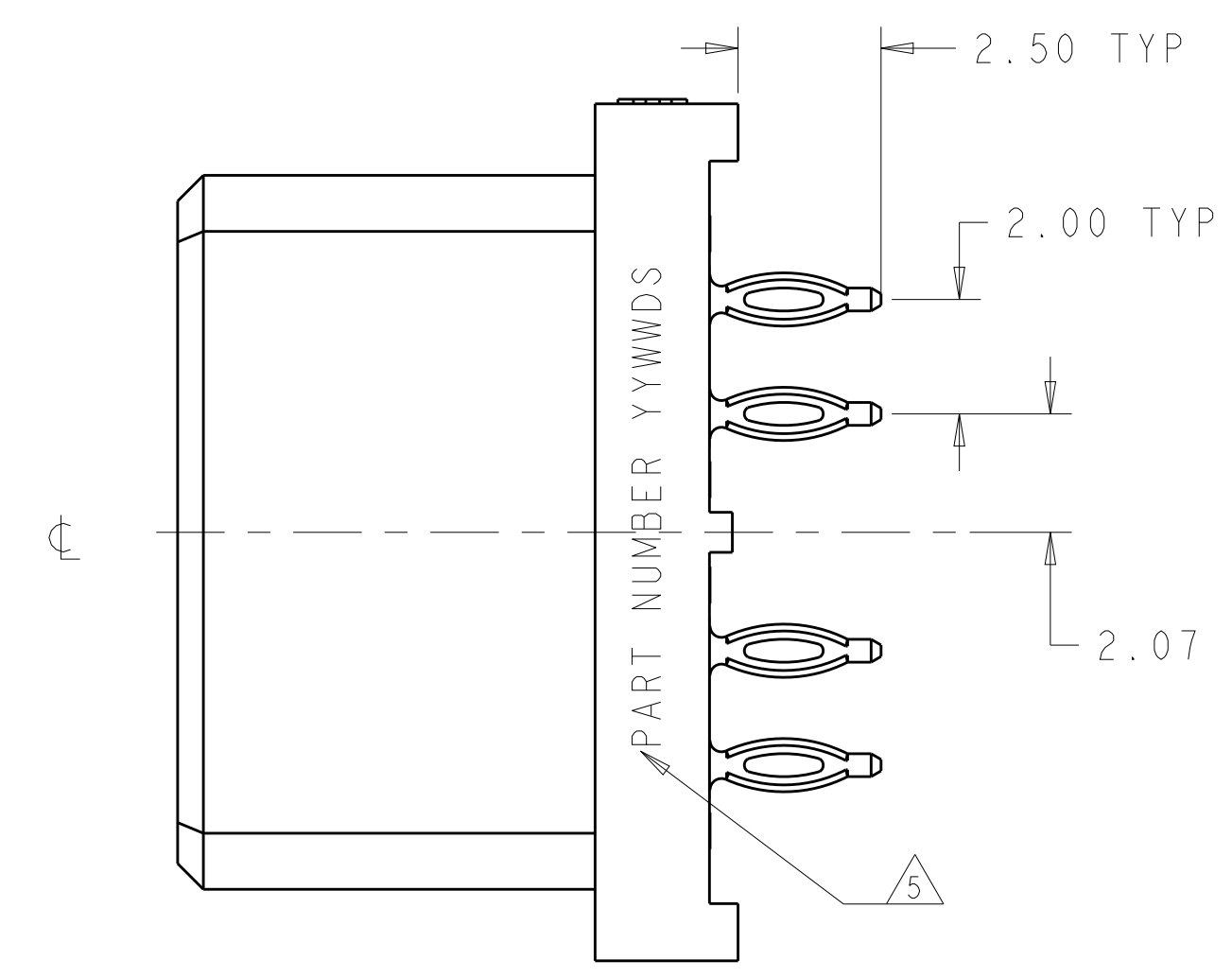
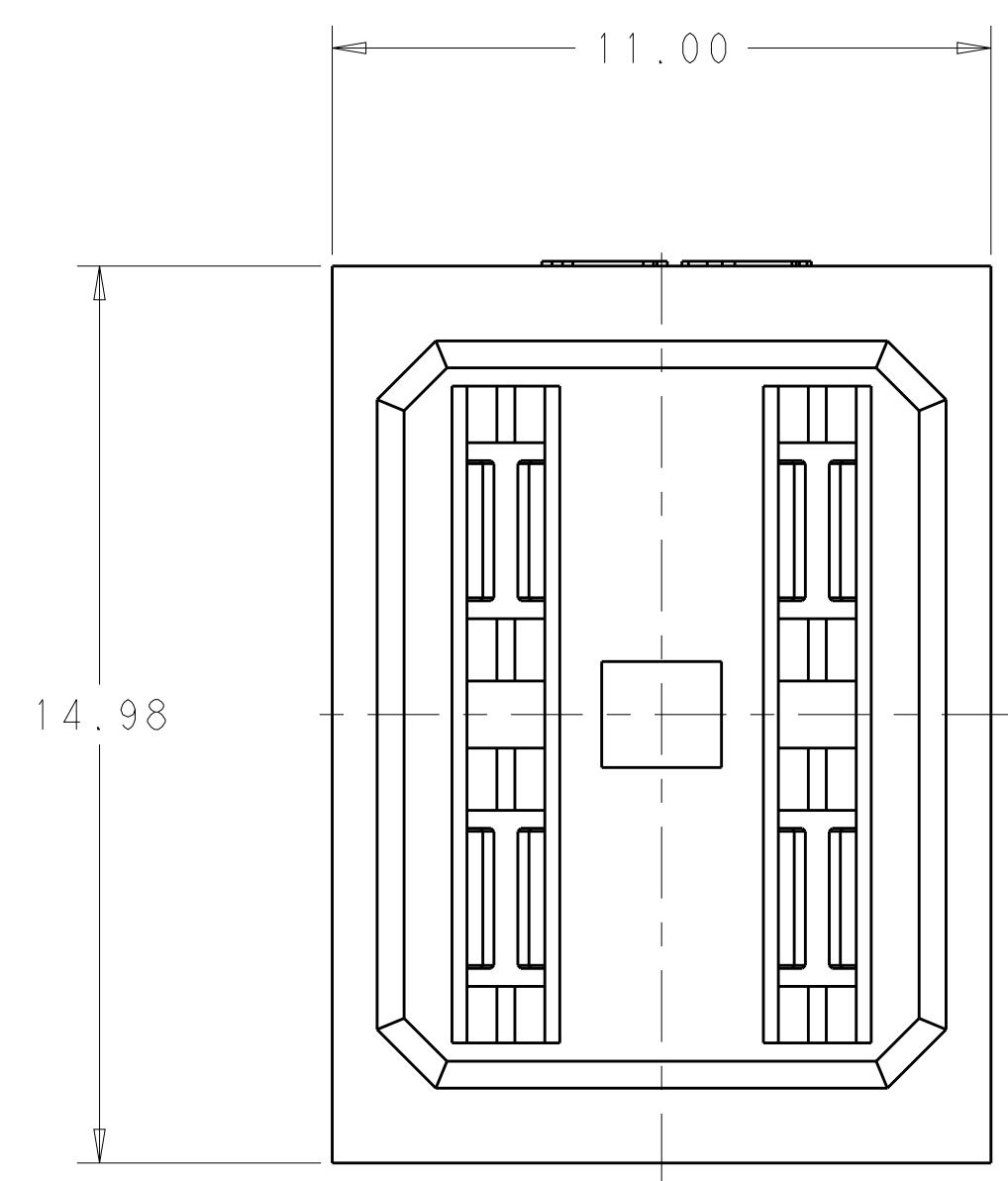
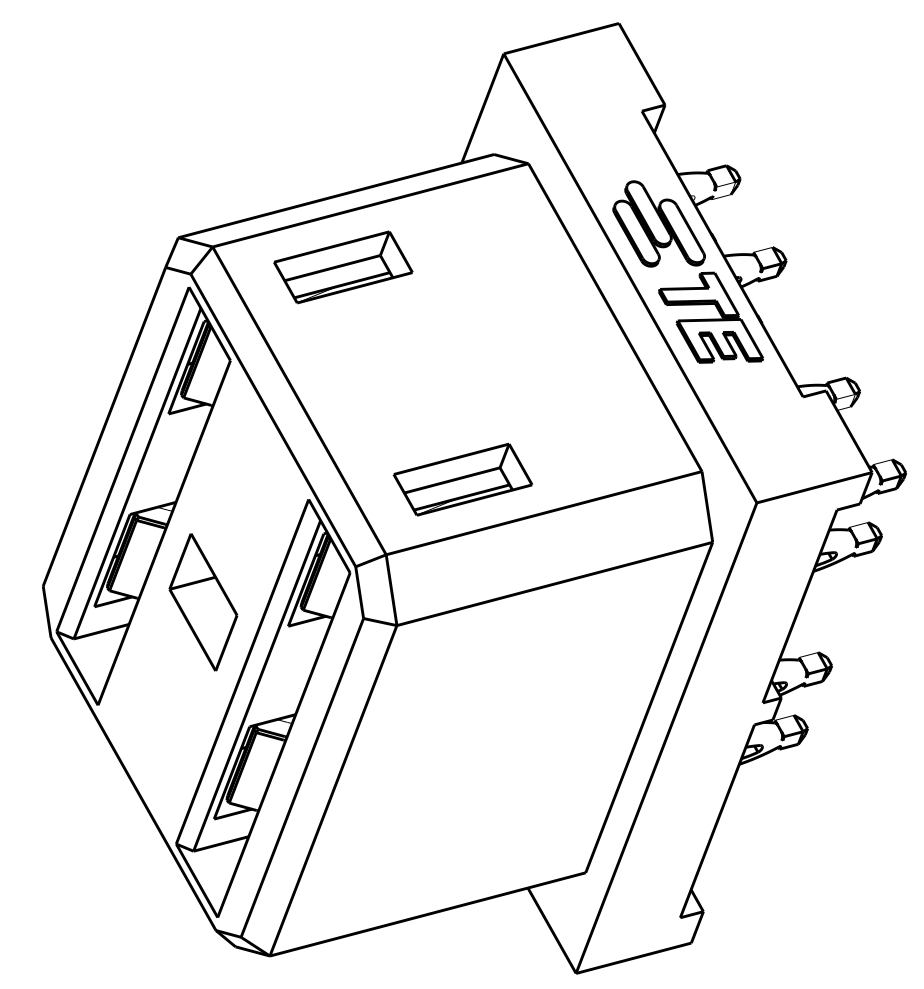
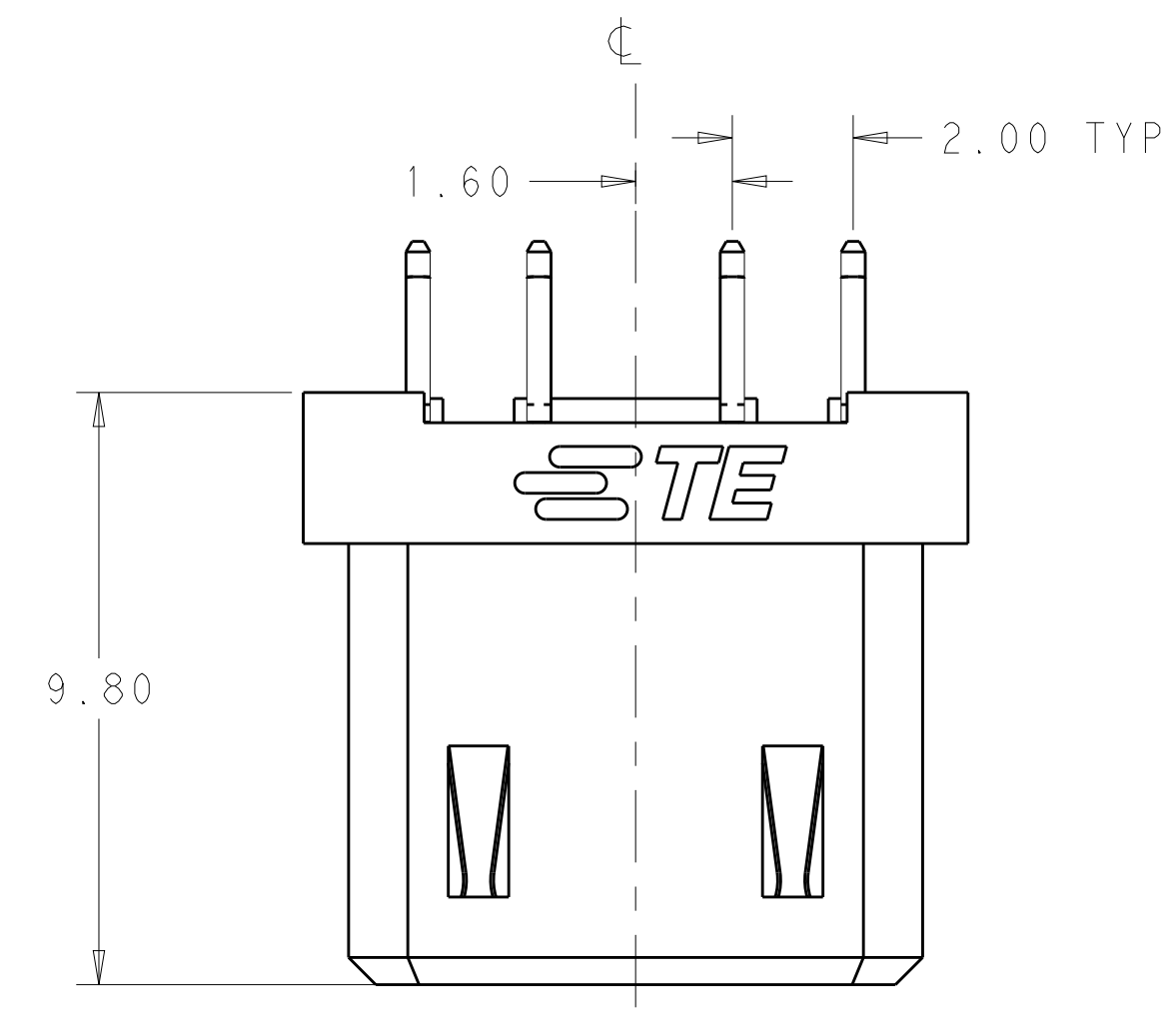


LOC		DIST		REVISIONS			
P	LTN	DESCRIPTION	DATE	DWN	APVD		
A		INITIAL RELEASE	07JUN2012	LW	AC		
A1		REV PER ECR-12-013085	20JULY2012	LW	AC		



NOTES:

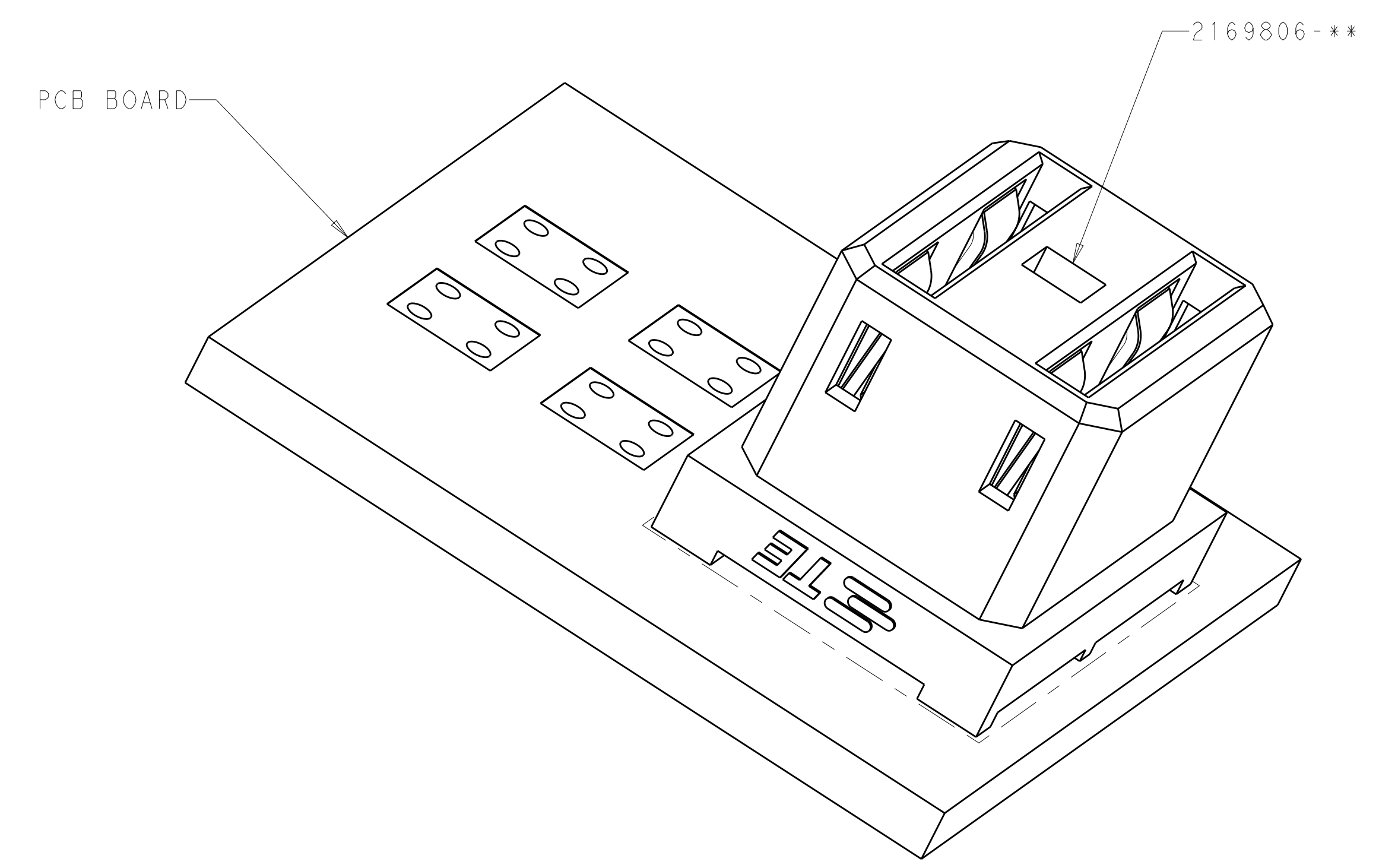
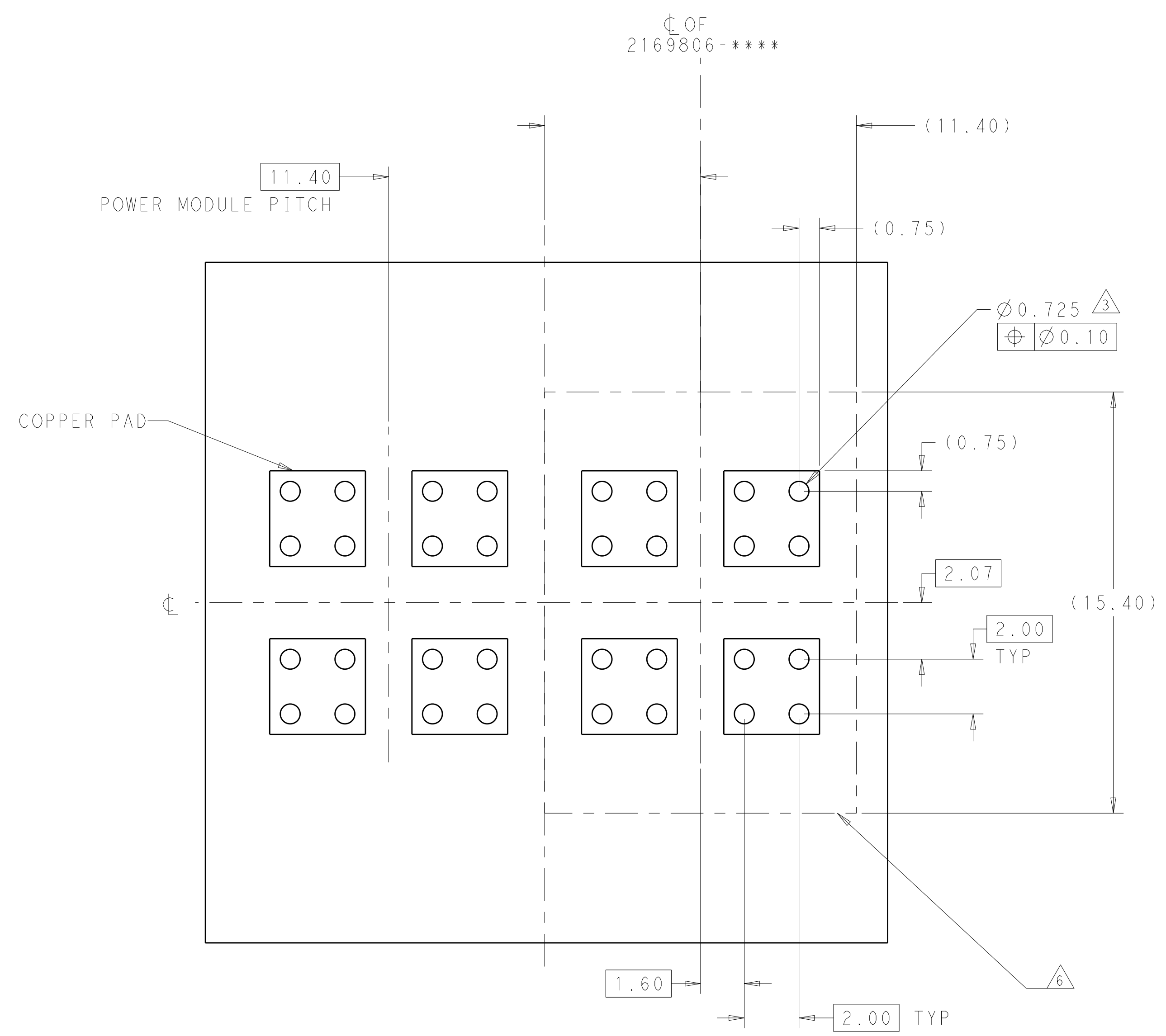
1. MATERIALS:
 HOUSING: HIGH TEMP, THERMOPLASTIC GLASS/MINERAL FILLED UL94V-0.
 CONTACT: COPPER ALLOY
2. FINISH OPTION
 TIN OPTION: 0.76um MINIMUM GOLD AT CONTACT AREA
 2.54um MINIMUM NICKEL UNDERPLATE OVER ALL
 TIN AT TAIL AREA.
 TIN-LEAD OPTION: 0.76um MINIMUM GOLD AT CONTACT AREA
 2.54um MINIMUM NICKEL UNDERPLATE OVER ALL
 TIN-LEAD AT TAIL AREA..
3. PCB NOTE FOR DIAMETER 0.725mm PLATED HOLE.
 -DRILLED HOLE SIZE IS 0.838mm
 -PLATED WITH 0.007mm MIN. TIN OVER.
 0.03 TO 0.08mm COPPER UNDERPLATE TO ACHIEVE
 0.725±0.075mm HOLE.
4. MATES WITH 2169797-***.
5. PART NUMBER AND DATE CODE AT ASSEMBLY AREA AS APPROXIMATE SHOWN.
6. KEEP OUT ZONE FROM OTHER COMPONENTS.

OBSOLETE	TRAY	TIN-LEAD PLATING	5-2169806-1
		TIN PLATING	2169806-1
PACKAGING	PLATING OPTION	PART NUMBER	

THIS DRAWING IS A CONTROLLED DOCUMENT.		DWN: 12MAY2011	TE Connectivity NAME: IMPACT POWER, 3 PAIR VERTICAL RECEPTACLE PRESS-FIT
DIMENSIONS:		CHK: 12MAY2011	
TOLERANCES UNLESS OTHERWISE SPECIFIED:		APVD: 12MAY2011	
0 PLC ±. 1 PLC ±. 2 PLC ±.25 3 PLC ±. 4 PLC ±. ANGLES ±°		PRODUCT SPEC: 108-2473 APPLICATION SPEC: 114-32028 WEIGHT: - CUSTOMER DRAWING	
MATERIAL:	FINISH:	SIZE: A1 CAGE CODE: 00779 DRAWING NO: C=2169806 SCALE: 1:1 SHEET: 1 OF 2 REV: A1	RESTRICTED TO

LOC		DIST		REVISIONS			
P	LTH	DESCRIPTION	DATE	DWN	APVD		
-	-	SEE SHEET 1	-	-	-		

RECOMMENDED PCB LAYOUT
 (COMPONENT SIDE SHOWN)
 MINIMUM BOARD THICKNESS: 1.60mm



CONNECTOR MATES WITH PCB

THIS DRAWING IS A CONTROLLED DOCUMENT.		DWN: AY 12MAY2011	TE Connectivity
DIMENSIONS: mm		CHK: SZ 12MAY2011	
TOLERANCES UNLESS OTHERWISE SPECIFIED:		APVD: JHC 12MAY2011	
0 PLC \pm .1 1 PLC \pm .2 2 PLC \pm .25 3 PLC \pm .3 4 PLC \pm .4 ANGLES \pm .5° FINISH -		PRODUCT SPEC: 108-2473 APPLICATION SPEC: 114-32028 WEIGHT: - CUSTOMER DRAWING	
MATERIAL: -		NAME: IMPACT POWER, 3 PAIR VERTICAL RECEPTACLE PRESS-FIT	RESTRICTED TO: -
SCALE: 5:1		SIZE: A1	CAGE CODE: 2169806
SHEET: 2 OF 2		REV: A1	